



BALANCE BEAM OBSTACLE COURSE SET INFO SHEET

SNFBLNCSTR8R | SNFBLNCSTR10 | SNFBLNCSTR20

Thank you for purchasing the Sunny & Fun® Balance Beam Obstacle Course Set. This information sheet is intended to provide you with guidelines to ensure that operation of this product is safe and does not pose risk to the user. Any use that does not conform to the guidelines described in this information sheet may void the limited warranty.

Please read all precautions before using the product and retain this guide for reference. This product is intended for household use only. It is not intended for commercial use.

This product is covered by a limited one-year warranty. Coverage is subject to limits and exclusions. See warranty for details.

Safety Precautions



WARNING

CHOKING HAZARD – Small parts. This product contains small parts and is not suitable for children under 3 years old.

This product is suitable for children ages 3 and up.

Each stone can support up to 220 lbs. (99.8 kg). Do not exceed the weight limit, as this could result in injury or damage to the product.

Package Contents:

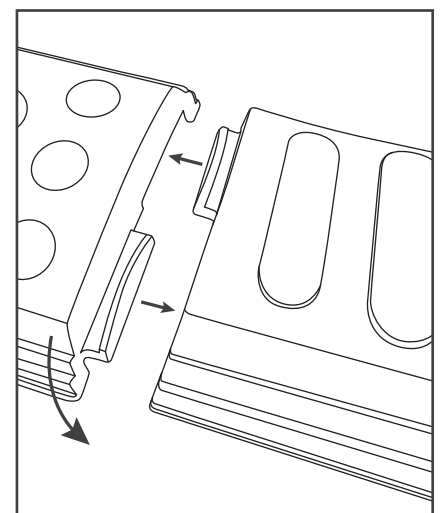
- 8-piece set (SNFBLNCSTR8R): 4 straight boards, 4 corners, 6 extra rubber feet
- 10-piece set (SNFBLNCSTR10): 2 straight boards, 8 curved boards, 6 extra rubber feet
- 20-piece set (SNFBLNCSTR20): 8 straight boards, 8 curved boards, 4 corners, 6 extra rubber feet

How It Works:

Link the pieces together on a stable surface to create your own unique obstacle course!

To connect the pieces:

1. Line up the ends of the pieces you want to connect.
2. Tilt the pieces slightly toward each other at opposite angles (as if making an X with the ends).
3. Insert the tabs on each piece into the slots on the connecting piece.
4. Tilt the pieces back away from each other so they sit flat and the tabs are locked into place.



Questions or Problems? Contact Us!

info@supportcbp.com | 833-217-4422

SUNNY & FUN is a trademark of C&A IP Holdings, LLC in the US.

All other products, brand names, company names, and logos are trademarks of their respective owners, used merely to identify their respective products, and are not meant to connote any sponsorship, endorsement, or approval.

Distributed by C&A Marketing, Inc., 114 Tived Lane East, Edison, NJ 08837. Made in China.

© 2020. C&A IP Holdings, LLC. All Rights Reserved.