

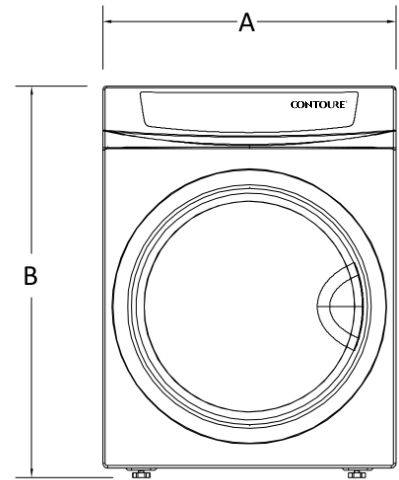


PRODUCT INSTALLATION DIMENSIONS

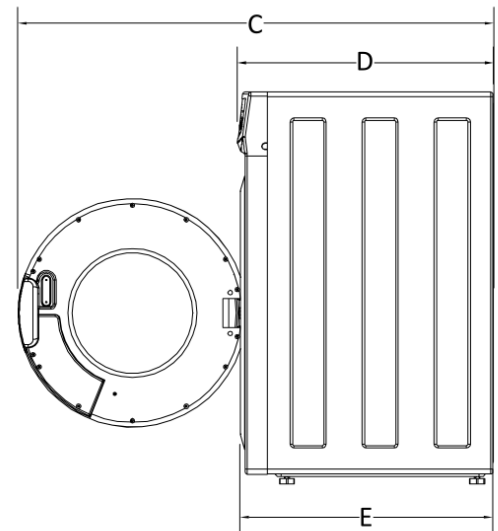
& RECOMMENDED CLEARANCES

Model: **DE-1500W** | Classic white

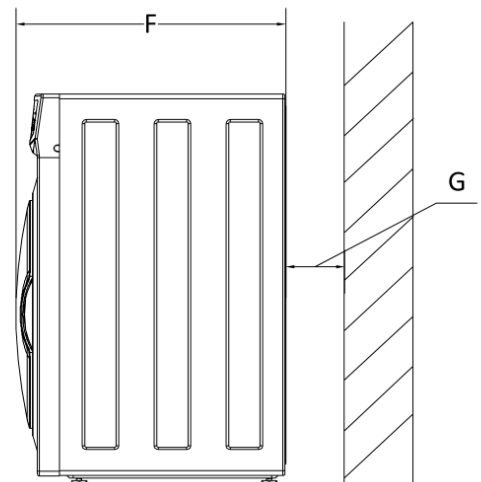
Model: **DE-1500T** | Deluxe Titanium



OVERALL DIMENSIONS	
Width (in.) A	23.6"
Height to top of case (in.) B	33.5"
Depth with door open 90° (in.) C	38.2"
Depth with control panel (in.) D	20.9"
Case depth (in.) E	20.2"
Max depth with door (in.) F	21.6"



MINIMUM AIR CLEARANCES	
Each side (in.)	1.0"
Top (in.)	1.0"
Back (in.) Allow Distance from back wall / exhaust Connection included G	5.0"



Consider additional clearance for easier installation and service access.