

HONDA®

Power

Equipment

Owner's Manual

GENERATOR

EU2600i • EU3000is

[Click here to save this manual to your computer.](#)





WARNING:



The engine exhaust from this product contains chemicals known to the State of California to cause cancer, birth defects or other reproductive harm.

▲WARNING

The generator is a potential source of electrical shock if misused. Do not expose the generator to moisture, rain or snow. Do not let the generator get wet, and do not operate it with wet hands.

Keep this owner's manual handy, so you can refer to it at any time. This owner's manual is considered a permanent part of the generator and should remain with the generator if resold.

The information and specifications included in this publication were in effect at the time of approval for printing. Honda Motor Co., Ltd. reserves the right, however, to discontinue or change specifications or design at any time without notice and without incurring any obligation whatever. No part of this publication may be reproduced without written permission.

Congratulations on your selection of a Honda generator. We are certain you will be pleased with your purchase of one of the finest generators on the market.

We want to help you get the best results from your new generator and to operate it safely. This manual contains the information on how to do that; please read it carefully.

As you read this manual, you will find information preceded by a **NOTICE** symbol. That information is intended to help you avoid damage to your generator, other property, or the environment.

We suggest you read the warranty policy to fully understand its coverage and your responsibilities of ownership. The warranty policy is a separate document that should have been given to you by your dealer.

When your generator needs scheduled maintenance, keep in mind that your Honda servicing dealer is specially trained in servicing Honda generators. Your Honda servicing dealer is dedicated to your satisfaction and will be pleased to answer your questions and concerns.

Best Wishes,
Honda Motor Co., Ltd.


A FEW WORDS ABOUT SAFETY

Your safety and the safety of others are very important. And using this generator safely is an important responsibility.

To help you make informed decisions about safety, we have provided operating procedures and other information on labels and in this manual. This information alerts you to potential hazards that could hurt you or others.

Of course, it is not practical or possible to warn you about all the hazards associated with operating or maintaining a generator. You must use your own good judgment.

You will find important safety information in a variety of forms, including:

- **Safety Labels** — on the generator.
- **Safety Messages** — preceded by a safety alert symbol  and one of three signal words, DANGER, WARNING, or CAUTION.

These signal words mean:

 **DANGER**

You **WILL** be **KILLED** or **SERIOUSLY HURT** if you don't follow instructions.

 **WARNING**

You **CAN** be **KILLED** or **SERIOUSLY HURT** if you don't follow instructions.

 **CAUTION**

You **CAN** be **HURT** if you don't follow instructions.

- **Safety Headings** — such as *IMPORTANT SAFETY INFORMATION*.
- **Safety Section** — such as *GENERATOR SAFETY*.
- **Instructions** — how to use this generator correctly and safely.

This entire book is filled with important safety information — please read it carefully.

CONTENTS

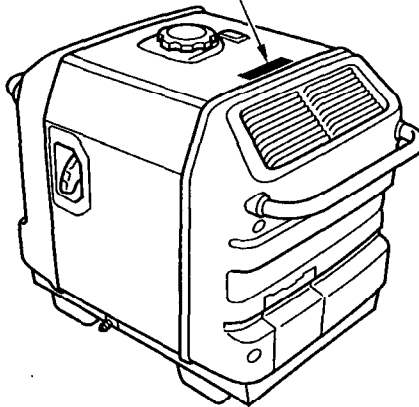
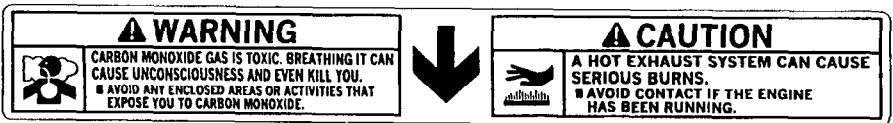
SAFETY	5
Safety Label Locations	5
Safety Information	7
COMPONENT IDENTIFICATION	9
CONTROLS	11
Engine Switch (EU3000is)	11
Engine Switch (EU2600i)	11
Recoil Starter	12
Fuel Valve	12
Choke Knob	13
Eco-throttle Switch	13
Output Indicator Light	14
Overload Indicator Light	14
Oil Alert® System	15
Parallel Operation Outlets	15
DC Receptacle	16
DC Circuit Protector	16
Ground Terminal	17
GENERATOR USE	18
Connections to a Building Electrical System	18
Ground System	18
Special Requirements	18
AC Applications	19
AC Operation	20
AC Applications in Parallel Operation	22
AC Operation in Parallel Operation	24
DC Operation	26
Eco-throttle System	29
High Altitude Operation	30
PRE-OPERATION CHECK	31
Engine Oil	31
Refueling	32
Fuel Recommendations	33
STARTING THE ENGINE	35
STOPPING THE ENGINE	37






MAINTENANCE	38
The Importance of Maintenance	38
Maintenance Safety	39
Emission Control System Information	40
Maintenance Schedule	42
Engine Oil Change	43
Air Cleaner Service	44
Spark Plug Service	46
Fuel Sediment Cup Cleaning	48
Spark Arrester Maintenance	50
Battery	53
Fuse Replacement	56
TRANSPORTING/STORAGE	57
Transporting	57
Storage	58
TROUBLESHOOTING	60
WIRING DIAGRAM	62
SPECIFICATIONS	64
WARRANTY SERVICE INFORMATION	66
INDEX	67

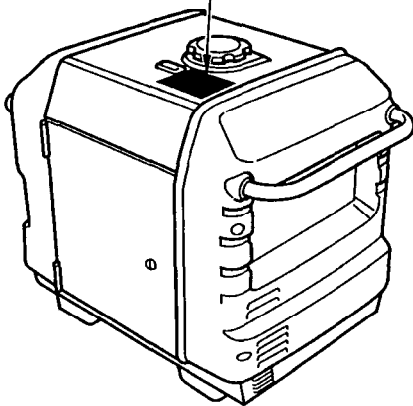
SAFETY LABEL LOCATIONS

These labels warn you of potential hazards that can cause serious injury. Read them carefully.

If a label comes off or becomes hard to read, contact your Honda generator dealer for a replacement.



⚠ WARNING	
	<p>GASOLINE IS HIGHLY FLAMMABLE AND EXPLOSIVE. YOU CAN BE BURNED OR SERIOUSLY INJURED WHEN HANDLING FUEL.</p> <ul style="list-style-type: none"> ■ STOP THE ENGINE AND KEEP HEAT, SPARKS, AND FLAME AWAY. ■ HANDLE FUEL ONLY OUTDOORS. ■ DO NOT FILL THE FUEL TANK ABOVE THE UPPER LIMIT LINE. ■ WIPE UP SPILLS IMMEDIATELY.
	<p>CARBON MONOXIDE GAS IS TOXIC. BREATHING IT CAN CAUSE UNCONSCIOUSNESS AND EVEN KILL YOU.</p> <ul style="list-style-type: none"> ■ AVOID ANY ENCLOSED AREAS OR ACTIVITIES THAT EXPOSE YOU TO CARBON MONOXIDE.
	<p>IMPROPER CONNECTIONS TO A BUILDING CAN ALLOW ELECTRICAL CURRENT TO BACKFEED INTO UTILITY LINES, CREATING AN ELECTROCUTION HAZARD.</p> <ul style="list-style-type: none"> ■ CONNECTIONS TO A BUILDING MUST ISOLATE GENERATOR POWER FROM UTILITY POWER AND COMPLY WITH ALL APPLICABLE LAWS AND ELECTRICAL CODES.
	<p>THE GENERATOR IS A POTENTIAL SOURCE OF ELECTRICAL SHOCK IF NOT KEPT DRY.</p> <ul style="list-style-type: none"> ■ DO NOT EXPOSE THE GENERATOR TO MOISTURE, RAIN, OR SNOW. ■ DO NOT OPERATE THE GENERATOR WITH WET HANDS.
⚠ CAUTION	
	<p>READ OWNER'S MANUAL CAREFULLY BEFORE OPERATION.</p>



SAFETY INFORMATION

Honda generators are designed to give safe and dependable service if operated according to instructions. Read and understand this owner's manual before operating your generator. You can help prevent accidents by being familiar with your generator's controls, and by observing safe operating procedures.

Operator Responsibility

- Know how to stop the generator quickly in case of emergency.
- Understand the use of all generator controls, output receptacles, and connections.
- Be sure that anyone who operates the generator receives proper instruction. Do not let children operate the generator without parental supervision.

Carbon Monoxide Hazards

- Exhaust contains poisonous carbon monoxide, a colorless and odorless gas. Breathing exhaust can cause loss of consciousness and may lead to death.
- If you run the generator in an area that is confined, or even partially enclosed, the air you breathe could contain a dangerous amount of exhaust gas. To keep exhaust gas from accumulating, provide adequate ventilation.

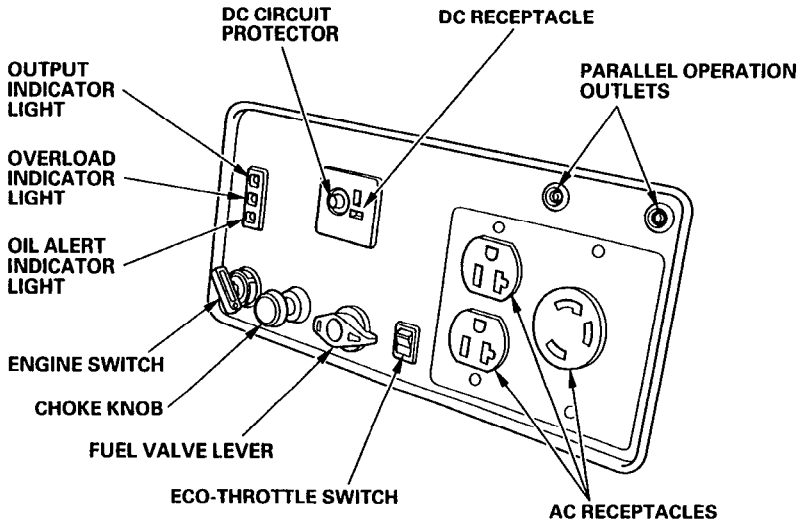
Electric Shock Hazards

- The generator produces enough electric power to cause a serious shock or electrocution if misused.
- Using a generator or electrical appliance in wet conditions, such as rain or snow, or near a pool or sprinkler system, or when your hands are wet, could result in electrocution. Keep the generator dry.
- If the generator is stored outdoors, unprotected from the weather, check all electrical components on the control panel, before each use. Moisture or ice can cause a malfunction or short circuit in electrical components which could result in electrocution.
- Do not connect to a building's electrical system unless an isolation switch has been installed by a qualified electrician.
- Use the special cable/receptacle assembly (optional equipment) when connecting two generators for parallel operation.

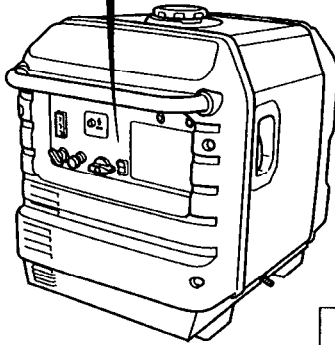
Fire and Burn Hazards

- The exhaust system gets hot enough to ignite some materials.
 - Keep the generator at least 3 feet (1 meter) away from buildings and other equipment during operation.
 - Do not enclose the generator in any structure.
 - Keep flammable materials away from the generator.
- The muffler becomes very hot during operation and remains hot for a while after stopping the engine. Be careful not to touch the muffler while it is hot. Let the engine cool before storing the generator indoors.
- Gasoline is extremely flammable and is explosive under certain conditions. Do not smoke or allow flames or sparks where the generator is refueled or where gasoline is stored. Refuel in a well-ventilated area with the engine stopped.
- Fuel vapors are extremely flammable and may ignite after the engine has started. Make sure that any spilled fuel has been wiped up before starting the generator.

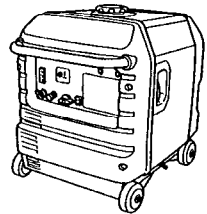
COMPONENT IDENTIFICATION

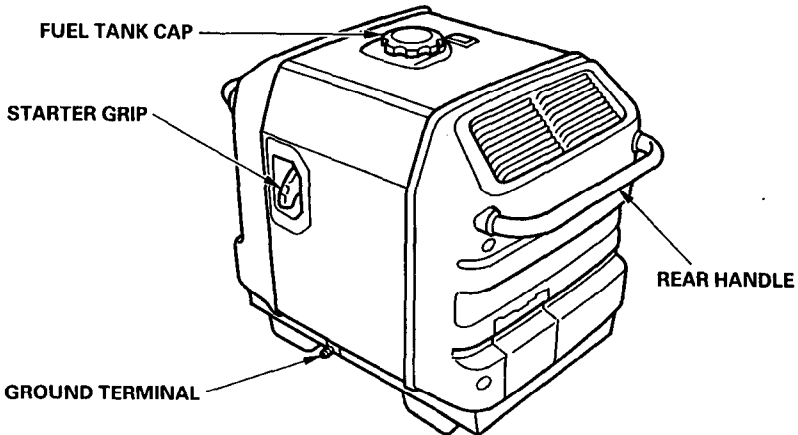
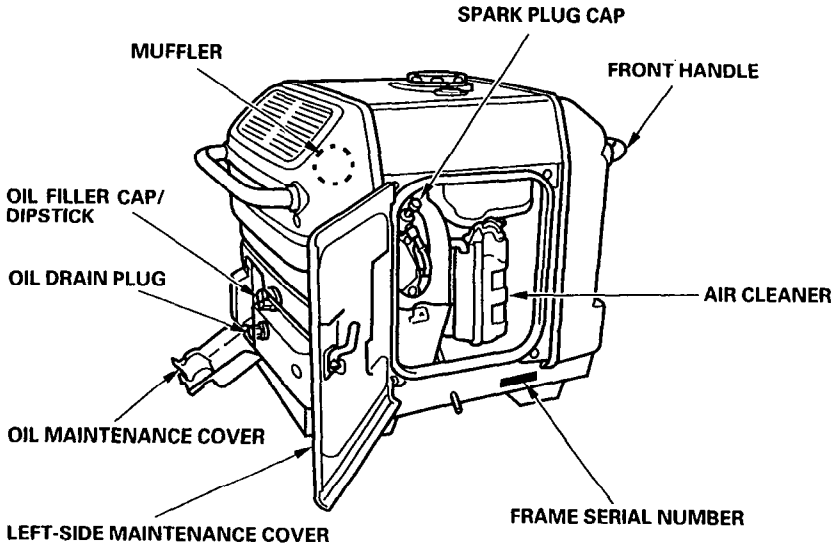


< STAND TYPE >



< WHEEL TYPE >





*Record the frame serial number for your future reference. Refer to this serial number when ordering parts, and when making technical or warranty inquiries (see page 66).

Frame serial number: _____

ENGINE SWITCH (EU3000is)

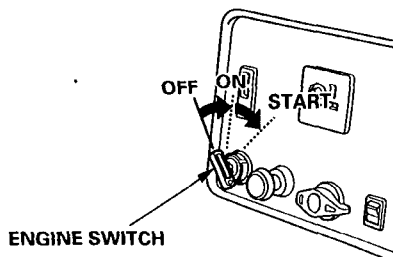
To start and stop the engine.

Key position:

OFF: To stop the engine. Key can be removed/inserted.

ON: To run the engine after starting.

START: To start the engine by operating the starter motor.



Return the key to the ON position once the engine has started. Do not use the starter for more than 5 seconds at a time. If the engine fails to start, release the switch and wait 10 seconds before operating the starter again.

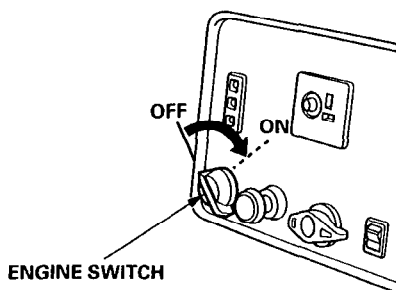
ENGINE SWITCH (EU2600i)

To start and stop the engine.

Switch position:

OFF: To stop the engine.

ON: To start and run the engine.

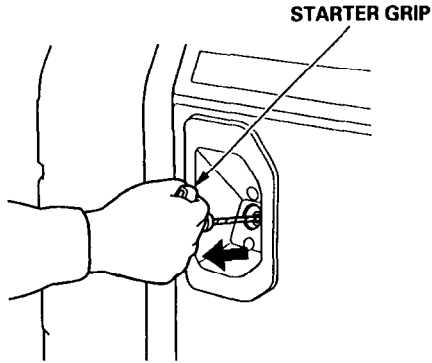


RECOIL STARTER

To start the engine, pull the starter grip lightly until resistance is felt, then pull briskly.

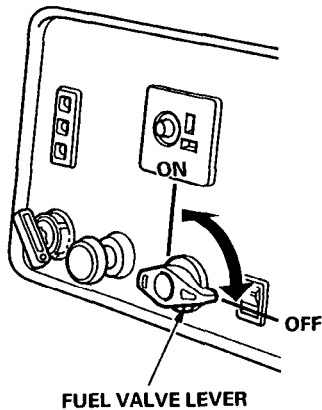
NOTICE

Do not allow the starter grip to snap back against the engine. Return it gently to prevent damage to the starter.



FUEL VALVE

The fuel valve is located on the control panel. When the fuel valve lever is in the ON position, fuel is allowed to flow from the fuel tank to the carburetor. Be sure to return the fuel valve lever to the OFF position after stopping the engine.

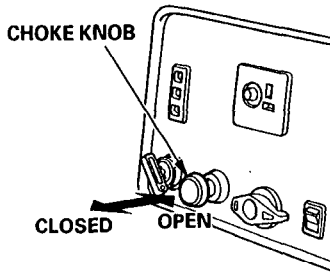


CHOKE KNOB

The choke knob opens and closes the choke valve in the carburetor.

Pulling the choke knob to the **CLOSED** position enriches the fuel mixture for starting a cold engine.

Pushing the choke knob to the **OPEN** position provides the correct fuel mixture for operation after starting, and for restarting a warm engine.



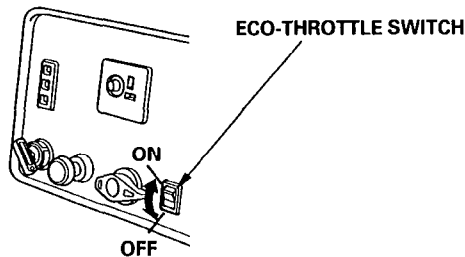
ECO-THROTTLE SWITCH

The eco-throttle system automatically reduces engine speed when all loads are turned off or disconnected. When appliances are turned on or reconnected, the engine returns to the proper speed to power the electrical load.

If high electrical loads are connected simultaneously, turn the eco-throttle switch to the **OFF** position to reduce voltage changes.

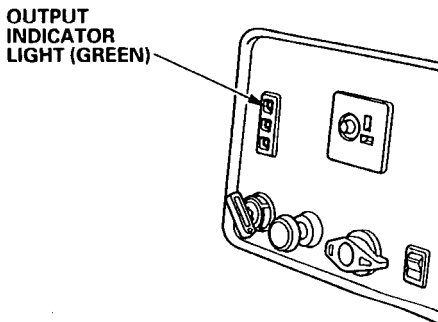
ON: Recommended to minimize fuel consumption and further reduce noise levels when no load is applied to the generator.

OFF: The eco-throttle system does not operate.



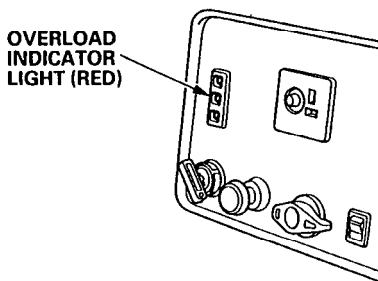
OUTPUT INDICATOR LIGHT

The output indicator light (green) is illuminated when the generator is operating normally. It indicates that the generator is producing electrical power at the receptacles.



OVERLOAD INDICATOR LIGHT

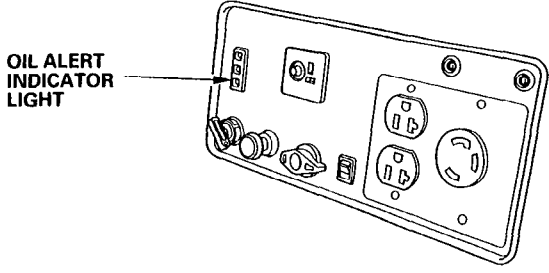
If the generator is overloaded (see pages 64 and 65), or if there is a short circuit in a connected appliance, or if the inverter is overheated, the overload indicator light (red) will go ON. The overload indicator light (red) will stay ON, and after about four seconds, current to the connected appliance(s) will shut off, and the output indicator light (green) will go OFF.



OIL ALERT® SYSTEM

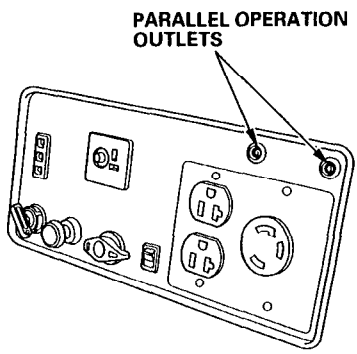
The Oil Alert® system is designed to prevent engine damage caused by an insufficient amount of oil in the crankcase. Before the oil level in the crankcase can fall below a safe limit, the Oil Alert® indicator light comes on and the Oil Alert® system will automatically stop the engine (the engine switch will remain in the ON position).

If the engine stops or the Oil Alert indicator light comes on when you turn the engine switch to START or pull the starter grip, check the engine oil level (see page31) before troubleshooting in other areas.

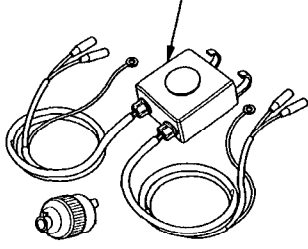


PARALLEL OPERATION OUTLETS

These outlets are used for connecting two generators for parallel operation (see page24). A special cable/receptacle assembly (optional equipment) is required for parallel operation. This special cable/receptacle assembly can be purchased from authorized Honda generator dealers.



SPECIAL CABLE/RECEPTACLE ASSEMBLY FOR PARALLEL OPERATION



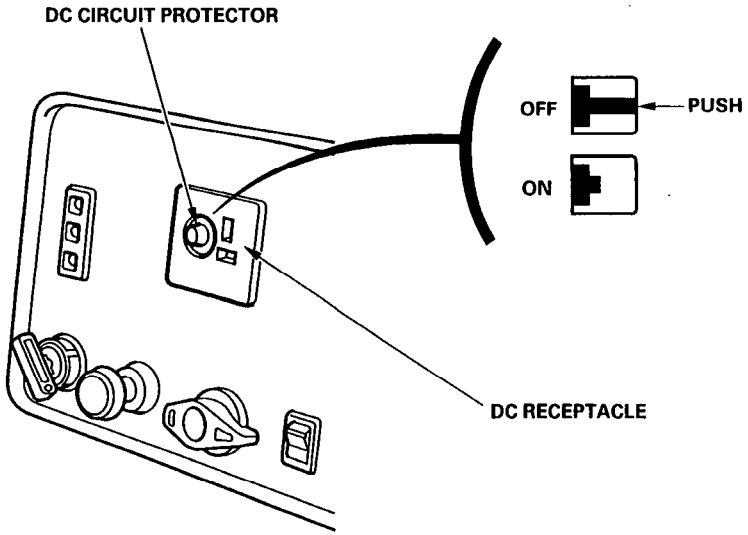
(optional parts)

DC RECEPTACLE

The DC receptacle should ONLY be used for charging 12-volt automotive type batteries.

DC CIRCUIT PROTECTOR

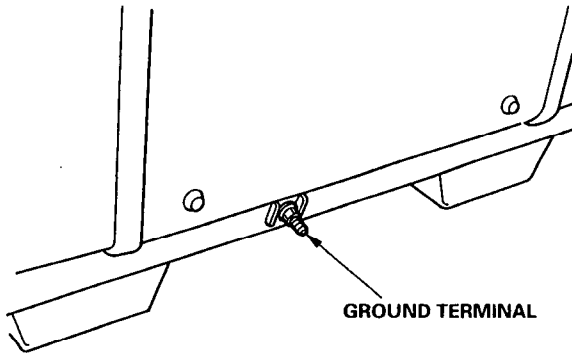
The DC circuit protector automatically shuts off the DC battery charging circuit when the DC charging circuit is overloaded, when there is a problem with the battery, or when the connections between the battery and the generator are improper.



GROUND TERMINAL

The generator ground terminal is connected to the frame of the generator, the metal non-current-carrying parts of the generator, and the ground terminals of each receptacle.

Before using the ground terminal, consult a qualified electrician, electrical inspector or local agency having jurisdiction for local codes or ordinances that apply to the intended use of the generator.



GENERATOR USE

CONNECTIONS TO A BUILDING'S ELECTRICAL SYSTEM

Connections for standby power to a building's electrical system must be made by a qualified electrician. The connection must isolate the generator power from utility power, and must comply with all applicable laws and electrical codes. A transfer switch, which isolates generator power from utility power, is available through authorized Honda generator dealers.

▲WARNING

Improper connections to a building's electrical system can allow electrical current from the generator to backfeed into the utility lines. Such backfeed may electrocute utility company workers or others who contact the lines during a power outage, and the generator may explode, burn, or cause fires when utility power is restored. Consult the utility company or a qualified electrician.

GROUND SYSTEM

Honda portable generators have a system ground that connects generator frame components to the ground terminals in the AC output receptacles. The system ground is not connected to the AC neutral wire. If the generator is tested by a receptacle tester, it will not show the same ground circuit condition as for a home receptacle.

SPECIAL REQUIREMENTS

There may be Federal or State Occupational Safety and Health Administration (OSHA) regulations, local codes, or ordinances that apply to the intended use of the generator. Please consult a qualified electrician, electrical inspector, or the local agency having jurisdiction.

- In some areas, generators are required to be registered with local utility companies.
- If the generator is used at a construction site, there may be additional regulations which must be observed.

AC APPLICATIONS

Before connecting an appliance or power cord to the generator:

- Make sure that it is in good working order. Faulty appliances or power cords can create a potential for electrical shock.
- If an appliance begins to operate abnormally, becomes sluggish or stops suddenly, turn it off immediately. Disconnect the appliance, and determine whether the problem is the appliance, or if the rated load capacity of the generator has been exceeded.
- Make sure that the electrical rating of the tool or appliance does not exceed that of the generator. Never exceed the maximum power rating of the generator. Power levels between rated and maximum may be used for no more than 30 minutes.

NOTICE

Substantial overloading that continuously lights the overload indicator light (red) may damage the generator. Marginal overloading that temporarily lights the overload indicator light (red) may shorten the service life of the generator.

Limit operation requiring maximum power to 30 minutes.

Maximum power is:

EU2600i: 2.6 kVA

EU3000is: 3.0 kVA

For continuous operation, do not exceed the rated power.

Rated power is:

EU2600i: 2.4 kVA

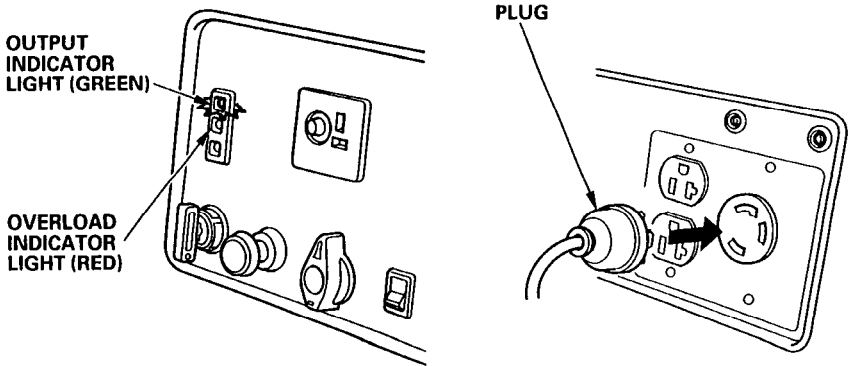
EU3000is: 2.8 kVA

The total power requirements (VA) of all appliances connected must be considered. Appliance and power tool manufacturers usually list rating information near the model number or serial number.

AC OPERATION

1. Start the engine and make sure the output indicator light (green) comes on (see page 35 and 36).
2. Plug in the appliance.

Most motorized appliances require more than their rated wattage for startup.



If the generator is overloaded (see page 19), or if there is a short circuit in a connected appliance, or if the inverter is overheated, the overload indicator light (red) will go ON. The overload indicator light (red) will stay ON, and after about four seconds, current to the connected appliance(s) will shut off, and the output indicator light (green) will go OFF. Stop the engine and investigate the problem.

Determine if the cause is a short circuit in a connected appliance, an overload, or an overheated inverter. Correct the problem and restart the generator.

Before connecting an appliance to the generator, make sure that it is in good order and that its electrical rating does not exceed that of the generator. Then start the generator and connect the power cord of the appliance.

NOTE:

When an electric motor is started, the overload indicator light (red) may come on. This is normal if the overload indicator light (red) goes off after about four (4) seconds. If the overload indicator light (red) stays on, consult your Honda generator dealer.

AC APPLICATIONS IN PARALLEL OPERATION

Before connecting an appliance or power cord to the generator:

- Make sure that it is in good working order. Faulty appliances or power cords can create a potential for electrical shock.
- If an appliance begins to operate abnormally, becomes sluggish or stops suddenly, turn it off immediately. Disconnect the appliance, and determine whether the problem is the appliance, or if the rated load capacity of the generator has been exceeded.
- Make sure that the electrical rating of the tool or appliance does not exceed that of the generator. Never exceed the maximum power rating of the generator. Power levels between rated and maximum may be used for no more than 30 minutes.
- Never connect different generator models and types.
- Never use cables other than the special cable/receptacle assembly for parallel operation.
- Never connect and remove the special cable/receptacle assembly for parallel operation while the generator is running.
- For single operation, the special cable/receptacle assembly for parallel operation must be removed.

NOTICE

Substantial overloading that continuously lights the overload indicator light (red) may damage the generator. Marginal overloading that temporarily lights the overload indicator light (red) may shorten the service life of the generator.

For continuous operation, do not exceed the rated power.
Rated power in parallel operation is:

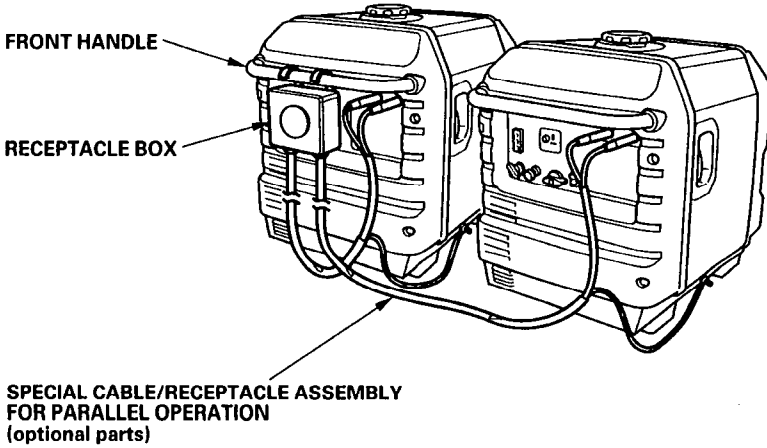
EU2600i: 4.8 kVA

EU3000is: 5.6 kVA

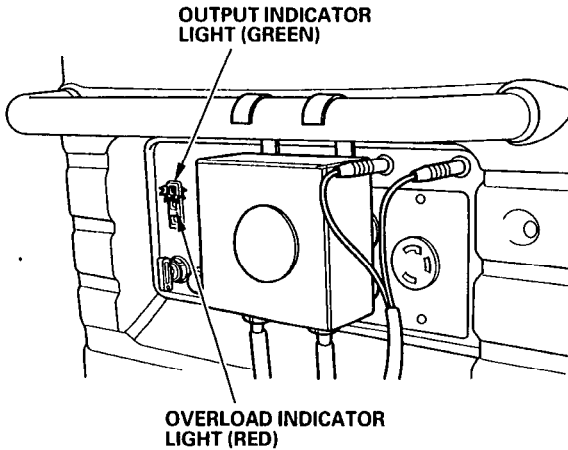
The total power requirements (VA) of all appliances connected must be considered. Appliance and power tool manufacturers usually list rating information near the model number or serial number.

AC OPERATION IN PARALLEL OPERATION

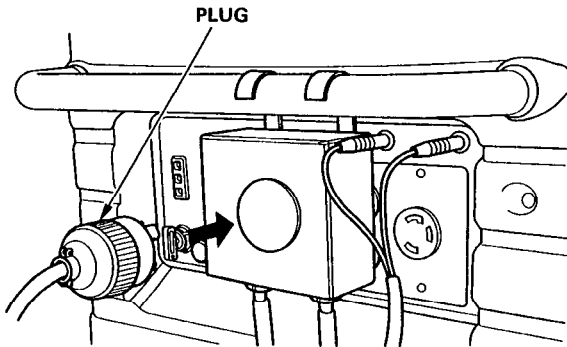
1. Connect the special cable/receptacle assembly for parallel operation to the two generators, as shown.
2. Hang the receptacle box of the special cable/receptacle assembly on the front handle of one generator.



-
3. Start the engines and make sure the output indicator lights (green) come on (see pages 35 and 36).



4. Plug in the appliance into the AC receptacle of the receptacle box. Most motorized appliances require more than their rated wattage for startup.



If the generators are overloaded (see page 22), or if there is a short circuit in a connected appliance, the overload indicator lights (red) will go ON. The overload indicator lights (red) will stay ON, and after about four seconds, current to the connected appliance(s) will shut off, and the output indicator lights (green) will go OFF. Stop the engines and investigate the problem.

DC OPERATION

The DC receptacle should ONLY be used for charging 12-volt automotive type batteries.

DC output will vary according to the position of the Eco-throttle switch. When the Eco-throttle switch is turned to the ON position and the AC output is not used, the DC current will be about one-third of the rated current.

DC Current

Eco-throttle switch	OFF	ON (Do not use the AC output)
Model		
EU2600i	10 A	approximately 3.3 A
EU3000is	12 A	approximately 4 A

Connecting the battery charging cable:

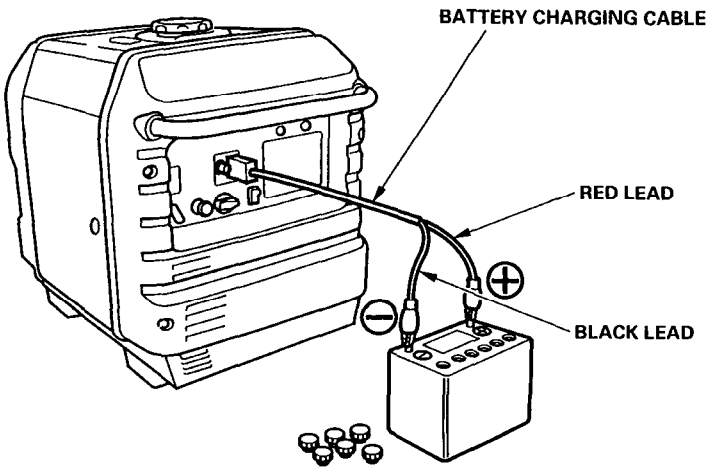
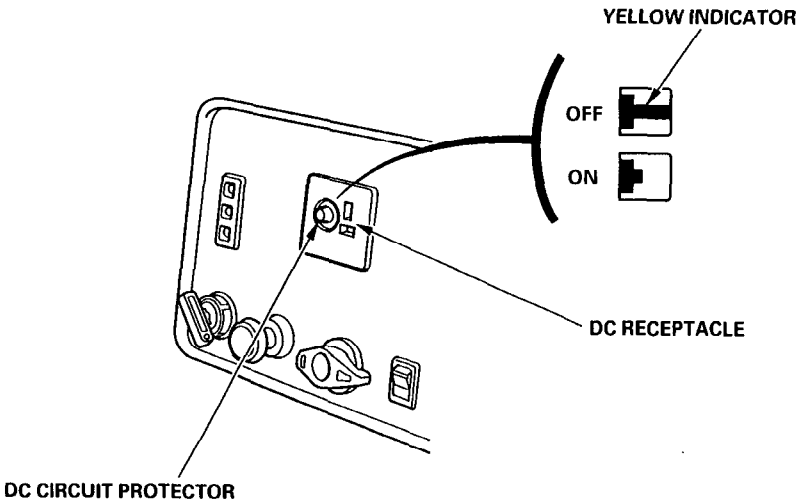
1. Before connecting the battery charging cable to a battery that is installed in a vehicle, disconnect the vehicle ground battery cable from the battery negative (–) terminal.

▲WARNING

A battery can explode if you do not follow the correct procedure, seriously injuring anyone nearby.

Keep all sparks, open flames, and smoking materials away from the battery.

2. Plug the battery charging cable into the DC receptacle of the generator.
3. Connect the red lead of the battery charging cable to the battery positive (+) terminal and the black lead to the battery negative (-) terminal.



4. Start the generator.

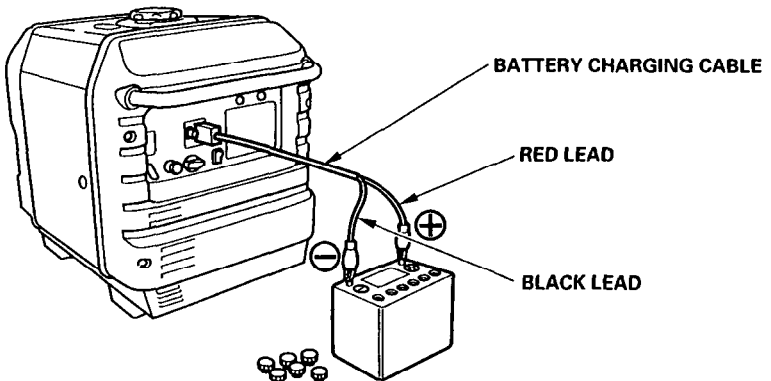
NOTICE

Do not start the vehicle while the battery charging cable is connected and the generator is running. The vehicle or the generator may be damaged.

An overloaded DC circuit, excessive current drawn by the battery, or a wiring problem will trip the DC circuit protector (the yellow indicator inside the clear circuit protector button will pop out). If this happens, wait a few minutes before pushing in the circuit protector button to resume operation. If the circuit protector continues to go OFF, discontinue charging and see your authorized Honda generator dealer.

Disconnecting the battery charging cable:

1. Stop the engine.
2. Disconnect the black lead of the battery charging cable from the battery negative (–) terminal.
3. Disconnect the red lead of the battery charging cable from the battery positive (+) terminal.
4. Disconnect the battery charging cable from the DC receptacle of the generator.
5. Connect the vehicle ground battery cable to the negative (–) battery terminal.



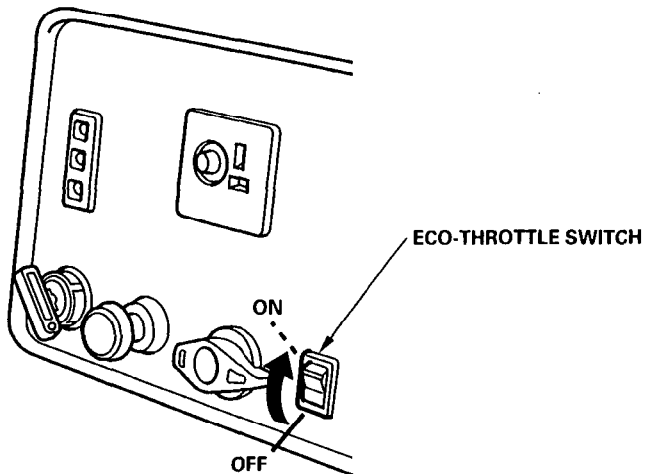
ECO-THROTTLE SYSTEM

With the switch in the ON position, engine speed is automatically reduced when all loads are turned OFF or disconnected. When appliances are turned ON or reconnected, the engine returns to the proper speed to power the electrical load. In the OFF position, the eco-throttle system does not operate.

Appliances with large start-up power demands may not allow the engine to reach normal operating rpm when they are connected to the generator. Turn the eco-throttle to the OFF position and connect the appliance to the generator. If the engine still will not reach normal operating speed, check that the appliance does not exceed the rated load capacity of the generator.

If high electrical loads are connected simultaneously, turn the eco-throttle switch to the OFF position to reduce voltage changes.

The eco-throttle system is not effective for use with appliances that require only momentary power. If the tool or appliance will be turned ON and OFF quickly, the eco-throttle switch should be in the OFF position.



HIGH ALTITUDE OPERATION

At high altitude, the standard carburetor air-fuel mixture will be too rich. Performance will decrease, and fuel consumption will increase. A very rich mixture will also foul the spark plug and cause hard starting.

High altitude performance can be improved by specific modifications to the carburetor. If you always operate your generator at altitudes above 1,500 meters (5,000 feet), have your dealer perform this carburetor modification.

Even with carburetor modification, engine horsepower will decrease about 3.5% for each 300-meter (1,000-foot) increase in altitude. The effect of altitude on horsepower will be greater than this if no carburetor modification is made.

NOTICE

When the carburetor has been modified for high altitude operation, the air-fuel mixture will be too lean for low altitude use. Operation at altitudes below 1,500 meters (5,000 feet) with a modified carburetor may cause the engine to overheat and result in serious engine damage. For use at low altitudes, have your dealer return the carburetor to original factory specifications.

PRE-OPERATION CHECK

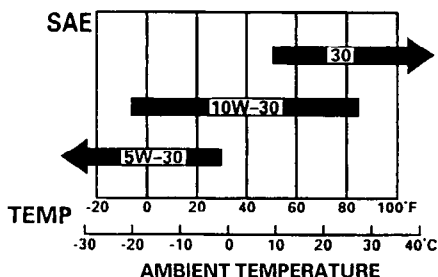
ENGINE OIL

NOTICE

Engine oil is a major factor affecting engine performance and service life. Non detergent and 2-stroke engine oils will damage the engine and are not recommended.

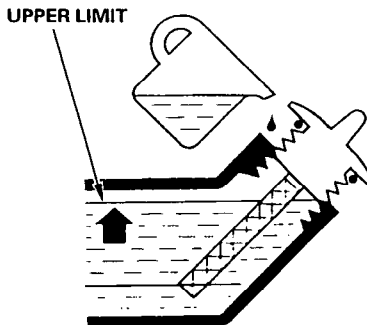
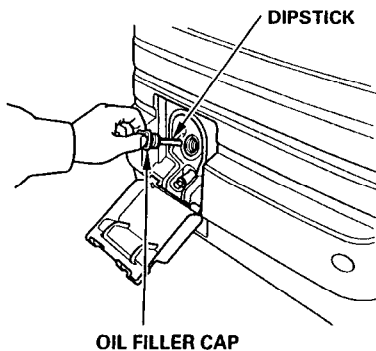
Check the oil level BEFORE EACH USE with the generator on a level surface and the engine stopped.

Use 4-stroke motor oil that meets or exceeds the requirements for API service classification SF or SG. Always check the API SERVICE label on the oil container to be sure it includes the letters SF or SG.



SAE 10W-30 is recommended for general, all-temperature use. Other viscosities shown in the chart may be used when the average temperature in your area is within the indicated range.

1. Open the oil maintenance cover.
2. Remove the oil filler cap and wipe the dipstick clean.
3. Check the oil level by inserting the dipstick into the filler neck without screwing it in.
4. If the level is low, fill to the top of the oil filler neck with the recommended oil.
5. Close and latch the oil maintenance cover.



REFUELING

Fuel tank capacity: 13.0 l (3.43 US gal , 2.86 Imp gal)

With the engine stopped, check the fuel level gauge. Refill the fuel tank if the fuel level is low.

▲WARNING

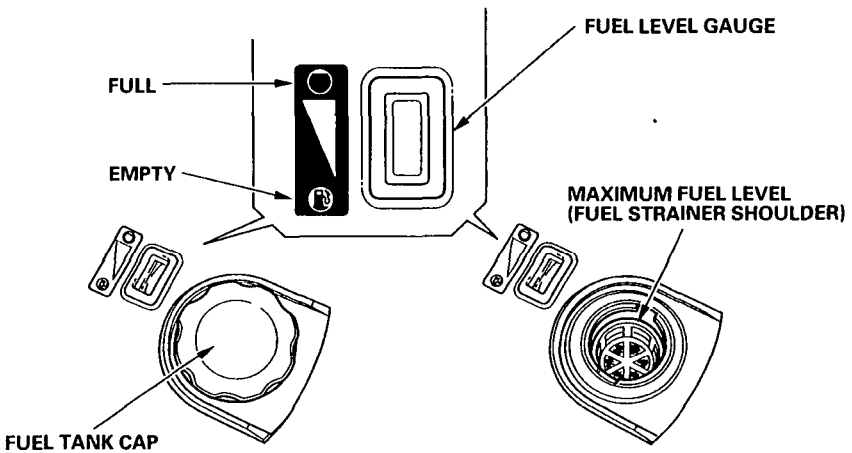
Gasoline is highly flammable and explosive. You can be burned or seriously injured when handling fuel.

- **Stop the engine and keep heat, sparks, and flame away.**
- **Handle fuel only outdoors.**
- **Wipe up spills immediately.**

Refuel in a well-ventilated area with the engine stopped. If the engine has been running, allow it to cool first. Refuel carefully to avoid spilling fuel. Do not fill above the fuel strainer shoulder. After refueling, tighten the fuel tank cap securely.

Never refuel the engine inside a building where gasoline fumes may reach flames or sparks. Keep gasoline away from appliance pilot lights, barbecues, electric appliances, power tools, etc.

Spilled fuel is not only a fire hazard, it causes environmental damage. Wipe up spills immediately.



FUEL RECOMMENDATIONS

Use unleaded gasoline with a pump octane rating of 86 or higher.

This engine is certified to operate on unleaded gasoline. Unleaded gasoline produces fewer engine and spark plug deposits and extends exhaust system life.

Never use stale or contaminated gasoline or an oil/gasoline mixture. Avoid getting dirt or water in the fuel tank.

Occasionally you may hear light "spark knock" or "pinging" (metallic rapping noise) while operating under heavy loads. This is no cause for concern.

If spark knock or pinging occurs at a steady engine speed, under normal load, change brands of gasoline. If spark knock or pinging persists, see an authorized Honda generator dealer.

NOTICE

Running the engine with persistent spark knock or pinging can cause engine damage.

Running the engine with persistent spark knock or pinging is misuse, and the Distributor's Limited Warranty does not cover parts damaged by misuse.

Oxygenated Fuels

Some conventional gasolines are being blended with alcohol or an ether compound. These gasolines are collectively referred to as oxygenated fuels. To meet clean air standards, some areas of the United States and Canada use oxygenated fuels to help reduce emissions.

If you use an oxygenated fuel, be sure it is unleaded and meets the minimum octane rating requirement.

Before using an oxygenated fuel, try to confirm the fuel's contents. Some states/provinces require this information to be posted on the generator.

The following are the EPA approved percentages of oxygenates:

ETHANOL — (ethyl or grain alcohol) 10% by volume
You may use gasoline containing up to 10% ethanol by volume. Gasoline containing ethanol may be marketed under the name "Gasohol".

MTBE — (methyl tertiary butyl ether) 15% by volume
You may use gasoline containing up to 15% MTBE by volume.

METHANOL — (methyl or wood alcohol) 5% by volume
You may use gasoline containing up to 5% methanol by volume as long as it also contains cosolvents and corrosion inhibitors to protect the fuel system. Gasoline containing more than 5% methanol by volume may cause starting and/or performance problems. It may also damage metal, rubber, and plastic parts of your fuel system.

If you notice any undesirable operating symptoms, try another service station or switch to another brand of gasoline.

Fuel system damage or performance problems resulting from the use of an oxygenated fuel containing more than the percentages of oxygenates mentioned above are not covered under warranty.

STARTING THE ENGINE

Electric starting (EU3000is only):

1. Make sure that all appliances are disconnected from the AC receptacles.
2. Turn the fuel valve lever to the ON position.
3. To start a cold engine, pull the choke knob out to the CLOSED position.
To restart a warm engine, leave the choke knob in the OPEN position.
4. Turn the engine switch to the START position and hold it there for 5 seconds or until the engine starts.

NOTICE

- **Operating the starter motor for more than 5 seconds can damage the motor. If the engine fails to start, release the switch and wait 10 seconds before operating the starter again.**
- **If the speed of the starter motor drops after a period of time, it is an indication that the battery should be recharged.**

When the engine starts, allow the engine switch to return to the ON position.

5. If the choke knob was moved to the CLOSED position to start the engine, gradually push it to the OPEN position as the engine warms up.
6. If you wish to use the eco-throttle system, turn the eco-throttle switch to the ON position after the engine has warmed up for 2 or 3 minutes.

Manual starting:

1. Make sure that all appliances are disconnected from the AC receptacles.
2. Turn the fuel valve lever to the ON position.
3. To start a cold engine, pull the choke knob out to the CLOSED position.
To restart a warm engine, leave the choke knob in the OPEN position.
4. Turn the engine switch to the ON position.
5. Pull the starter grip lightly until resistance is felt, then pull briskly.

NOTICE

Do not allow the starter grip to snap back against the engine. Return it gently to prevent damage to the starter or housing.

6. If the choke knob was moved to the CLOSED position to start the engine, gradually push it to the OPEN position as the engine warms up.
7. If you wish to use the eco-throttle system, turn the eco-throttle switch to the ON position after the engine has warmed up for 2 or 3 minutes.

STOPPING THE ENGINE

In an emergency:

1. To stop the engine in an emergency, turn the engine switch to the OFF position.

In normal use:

1. Unplug appliances from the generator receptacles.
In parallel operation, unplug the appliance from the receptacle of the special cable/receptacle assembly for parallel operation.
2. Turn the engine switch to the OFF position.
3. Turn the fuel valve lever to the OFF position.
4. If two generators were connected for parallel operation, disconnect the special cable/receptacle assembly after stopping the engines if you do not wish to resume parallel operation.

MAINTENANCE

THE IMPORTANCE OF MAINTENANCE

Good maintenance is essential for safe, economical, and trouble-free operation. It will also help reduce air pollution.

▲WARNING

Improper maintenance, or failure to correct a problem before operation, can cause a malfunction in which you can be seriously hurt or killed.

Always follow the inspection and maintenance recommendations and schedules in this owner's manual.

To help you properly care for your generator, the following pages include a maintenance schedule, routine inspection procedures, and simple maintenance procedures using basic hand tools. Other service tasks that are more difficult, or require special tools, are best handled by professionals and are normally performed by a Honda technician or other qualified mechanic.

The maintenance schedule applies to normal operating conditions. If you operate your generator under severe conditions, such as sustained high-load or high-temperature operation, or use it in unusually wet or dusty conditions, consult your servicing dealer for recommendations applicable to your individual needs and use.

Remember that your servicing dealer knows your generator best and is fully equipped to maintain and repair it.

To ensure the best quality and reliability, use only new, genuine Honda parts or their equivalents for repair or replacement.

Maintenance, replacement, or repair of the emission control devices and systems may be performed by any engine repair establishment or individual, using parts that are "certified" to EPA standards.

MAINTENANCE SAFETY

Some of the most important safety precautions follow. However, we cannot warn you of every conceivable hazard that can arise in performing maintenance. Only you can decide whether or not you should perform a given task.

▲WARNING

Failure to properly follow maintenance instructions and precautions can cause you to be seriously hurt or killed.

Always follow the procedures and precautions in the owner's manual.

Safety Precautions

- Make sure the engine is off before you begin any maintenance or repairs. This will eliminate several potential hazards:
 - **Carbon monoxide poisoning from engine exhaust.**
Be sure there is adequate ventilation whenever you operate the engine.
 - **Burns from hot parts.**
Let the engine and exhaust system cool before touching.
 - **Injury from moving parts.**
Do not run the engine unless instructed to do so.
- Read the instructions before you begin, and make sure you have the tools and skills required.
- To reduce the possibility of fire or explosion, be careful when working around gasoline. Use only a nonflammable solvent, not gasoline, to clean parts. Keep cigarettes, sparks, and flames away from all fuel-related parts.

EMISSION CONTROL SYSTEM INFORMATION

Source of Emissions

The combustion process produces carbon monoxide, oxides of nitrogen, and hydrocarbons. Control of hydrocarbons and oxides of nitrogen is very important because, under certain conditions, they react to form photochemical smog when subjected to sunlight. Carbon monoxide does not react in the same way, but it is toxic.

Honda utilizes lean carburetor settings and other systems to reduce the emissions of carbon monoxide, oxides of nitrogen, and hydrocarbons.

The U.S. and California Clean Air Acts

EPA and California regulations require all manufacturers to furnish written instructions describing the operation and maintenance of emission control systems.

The following instructions and procedures must be followed in order to keep the emissions from your Honda engine within the emission standards.

Tampering and Altering

Tampering with or altering the emission control system may increase emissions beyond the legal limit. Among those acts that constitute tampering are:

- Removal or alteration of any part of the intake, fuel, or exhaust systems.
- Altering or defeating the governor linkage or speed-adjusting mechanism to cause the engine to operate outside its design parameters.

Problems That May Affect Emissions

If you are aware of any of the following symptoms, have your engine inspected and repaired by your servicing dealer.

- Hard starting or stalling after starting.
- Rough idle.
- Misfiring or backfiring under load.
- Afterburning (backfiring).
- Black exhaust smoke or high fuel consumption.

Replacement Parts

The emission control systems on your Honda engine were designed, built, and certified to conform with EPA and California emission regulations. We recommend the use of genuine Honda parts whenever you have maintenance done. These original-design replacement parts are manufactured to the same standards as the original parts, so you can be confident of their performance. The use of replacement parts that are not of the original design and quality may impair the effectiveness of your emission control system.

A manufacturer of an aftermarket part assumes the responsibility that the part will not adversely affect emission performance. The manufacturer or rebuilder of the part must certify that use of the part will not result in a failure of the engine to comply with emission regulations.

Maintenance

Follow the maintenance schedule on page 42 . Remember that this schedule is based on the assumption that your machine will be used for its designed purpose. Sustained high-load or high-temperature operation, or use in unusually wet or dusty conditions, will require more frequent service.

MAINTENANCE SCHEDULE

REGULAR SERVICE PERIOD (3)			Before each use	First month or 20 Hrs.	Every 3 months or 50 Hrs.	Every 6 months or 100 Hrs.	Every year or 300 Hrs.	
ITEM Perform at every indicated month or operating hour interval, whichever comes first.								
•	Engine oil	Check	○					
		Change		○		○		
•	Air cleaner	Check	○					
		Clean			○(1)			
		Replace					○*	
•	Sediment cup	Clean				○		
•	Spark plug	Clean-Adjust				○		
		Replace					○	
	Spark arrester	Clean				○		
•	Valve clearance	Check-Adjust					○(2)	
•	Fuel tank and filter	Clean					○(2)	
•	Fuel line	Check	Every 2 years (Replace if necessary) (2)					

NOTE: • Emission related items.

* Replace the paper air filter only.

(1) Service more frequently when used in dusty areas.

(2) These items should be serviced by an authorized Honda generator dealer, unless the owner has the proper tools and is mechanically proficient. See the Honda Shop Manual.

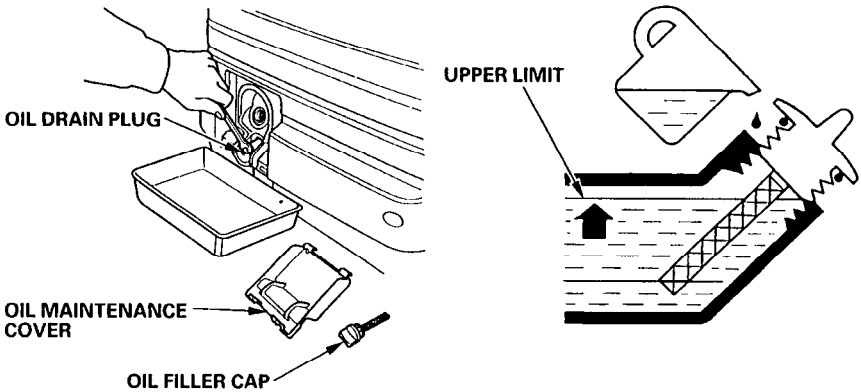
(3) For commercial use, log hours of operation to determine proper maintenance intervals.

ENGINE OIL CHANGE

Drain the oil while the engine is warm to assure rapid and complete draining.

1. Open and remove the oil maintenance cover.
2. Remove the drain plug and sealing washer, remove the oil filler cap, and drain the oil.
3. Reinstall the drain plug and sealing washer. Tighten the plug securely.
4. Refill with the recommended oil (see page 31) and check the oil level.
5. Reinstall, close and latch the oil maintenance cover.

Oil capacity: 0.55 l (0.58 US qt , 0.48 Imp qt)



Wash your hands with soap and water after handling used oil.

NOTICE

Improper disposal of engine oil can be harmful to the environment. If you change your own oil, please dispose of it properly. Put it in a sealed container, and take it to a recycling center. Do not discard it in a trash bin or dump it on the ground.

AIR CLEANER SERVICE

A dirty air filter will restrict air flow to the carburetor. To prevent carburetor malfunction, service the air cleaner regularly. Service more frequently when operating the generator in extremely dusty areas.

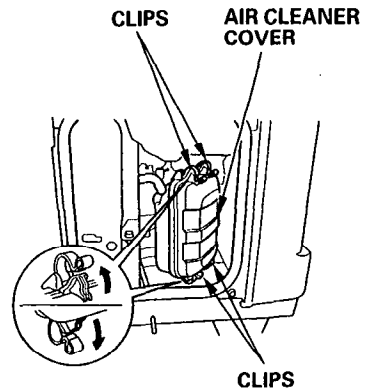
▲WARNING

Using gasoline or flammable solvent to clean the air filter can cause a fire or explosion. Use only soapy water or nonflammable solvent.

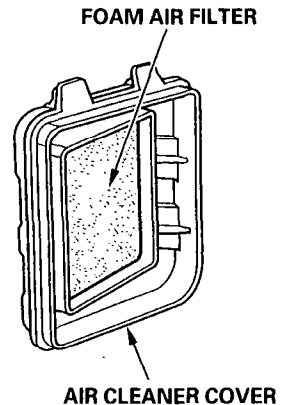
NOTICE

Never run the generator without the air filter. Rapid engine wear will result.

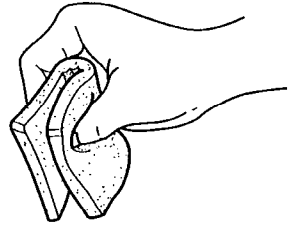
1. Open the left-side maintenance cover.
2. Unsnap the air cleaner cover clips, remove the air cleaner cover.



3. Foam air filter:
 - a. Remove the foam air filter from the air cleaner cover.
 - b. Wash the foam air filter in a solution of household detergent and warm water, then rinse thoroughly, or wash in nonflammable or high flashpoint solvent. Allow the foam air filter to dry thoroughly.



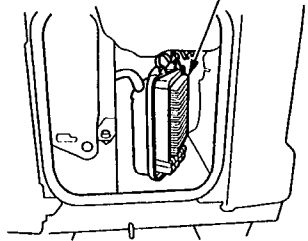
c. Soak the foam air filter in clean engine oil and squeeze out the excess oil. The engine will smoke during initial startup if too much oil is left in the foam air filter.



d. Reinstall the foam air filter to the air cleaner cover.

4. Paper air filter:
If the paper air filter is dirty, replace it with a new one. Do not clean the paper air filter.

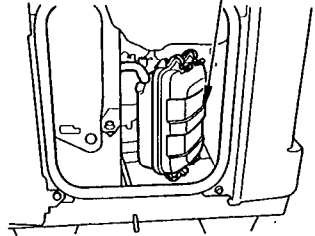
PAPER AIR FILTER



5. Reinstall the air cleaner cover.

6. Close and latch the left-side maintenance cover.

AIR CLEANER COVER



SPARK PLUG SERVICE

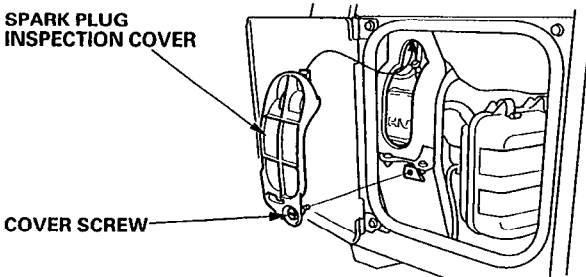
In order to service the spark plug, you will need a spark plug wrench (commercially available).

Recommended spark plugs: BPR5ES (NGK)
W16EPR-U (DENSO)

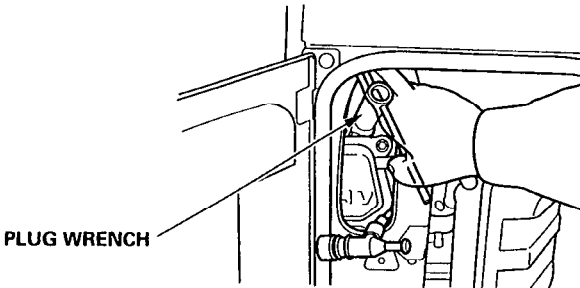
To ensure proper engine operation, the spark plug must be properly gapped and free of deposits.

If the engine has been running, the muffler will be very hot. Be careful not to touch the muffler.

1. Open the left-side maintenance cover.
2. Loosen the cover screw and remove the spark plug inspection cover.



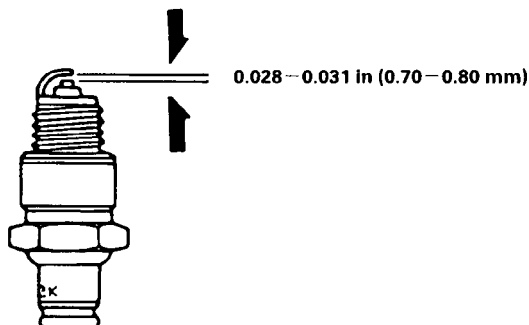
3. Remove the spark plug cap.
4. Clean any dirt from around the spark plug base.
5. Use a spark plug wrench to remove the spark plug.



-
6. Visually inspect the spark plug. Discard it if the insulator is cracked or chipped. Clean the spark plug with a wire brush if it is to be reused.
 7. Measure the plug gap with a feeler gauge.
Correct as necessary by carefully bending the side electrode.

The gap should be:

0.028–0.031 in (0.70–0.80 mm)



8. Check that the spark plug washer is in good condition, and thread the spark plug in by hand to prevent cross-threading.
9. After the spark plug is seated, tighten with a spark plug wrench to compress the washer.

If installing a new spark plug, tighten 1/2 turn after the spark plug seats to compress the washer. If reinstalling a used spark plug, tighten 1/8 – 1/4 turn after the spark plug seats to compress the washer.

NOTICE

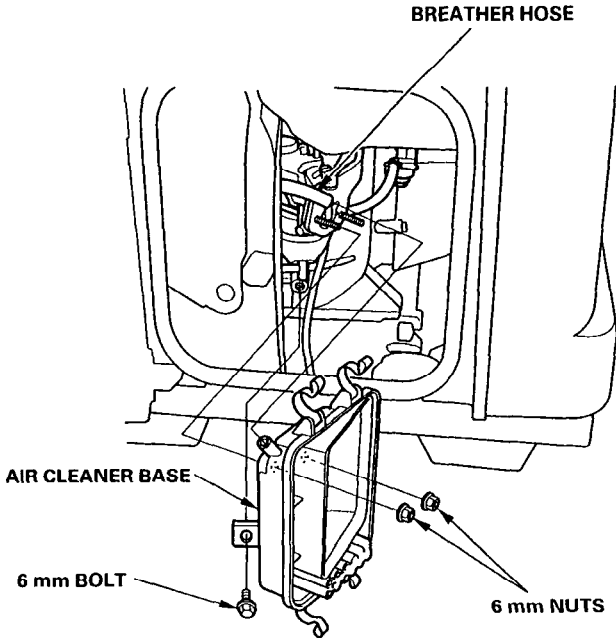
The spark plug must be securely tightened. An improperly tightened spark plug can become very hot and could damage the engine. Never use spark plugs which have an improper heat range. Use only the recommended spark plugs or equivalent.

10. Reinstall the spark plug inspection cover and tighten the cover screw.
11. Close and latch the left-side maintenance cover.

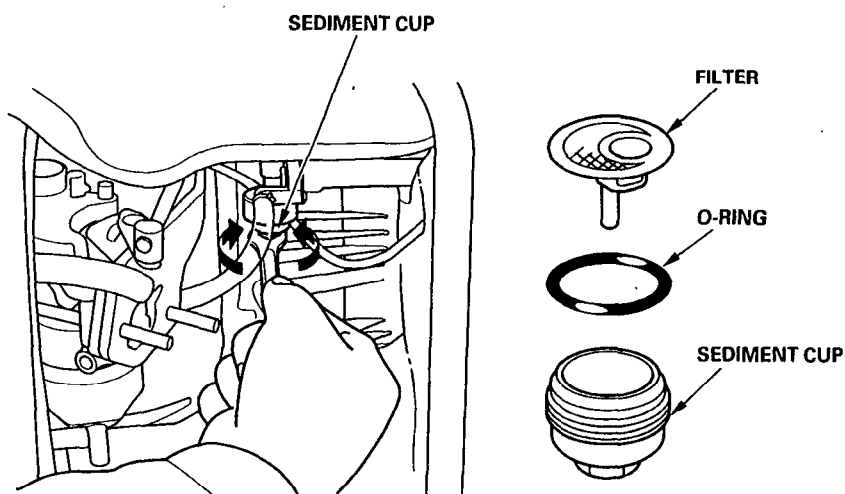
FUEL SEDIMENT CUP CLEANING

The sediment cup prevents dirt or water which may be in the fuel tank from entering the carburetor. If the engine has not been run for a long time, the sediment cup should be cleaned.

1. Turn the engine switch to the OFF position.
2. Turn the fuel valve lever to the OFF position.
3. Open the left-side maintenance cover.
4. Remove the air cleaner cover and paper air filter (see page44).
5. Disconnect the breather hose from the air cleaner base.
6. Remove the 6 mm bolt and two 6 mm nuts, and remove the air cleaner base.



-
7. Remove the sediment cup by turning it counterclockwise.
 8. Clean the sediment cup, O-ring, and filter in nonflammable or high flash point solvent.
 9. Reinstall the filter, O-ring, and sediment cup.
 10. Reinstall the air cleaner base, and connect the breather hose with the air cleaner base.
 11. Reinstall the paper air filter and air cleaner cover.
 12. Close and latch the left-side maintenance cover.

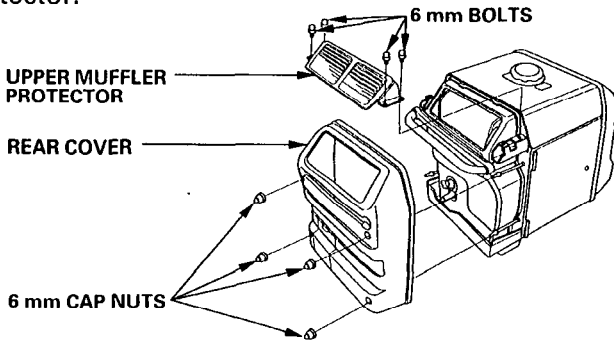


SPARK ARRESTER MAINTENANCE

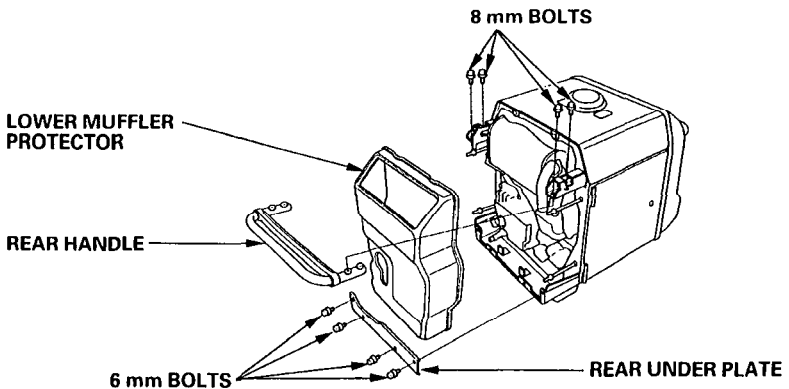
If the generator has been running, the muffler will be very hot. Allow it to cool before proceeding.

The spark arrester must be serviced every 100 hours to maintain its efficiency.

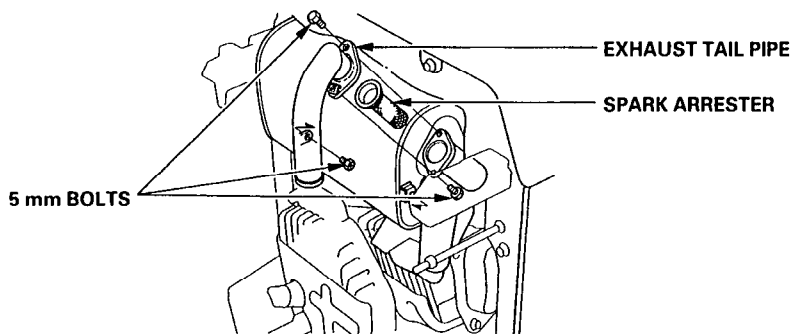
1. Remove the four 6 mm cap nuts, and remove the rear cover.
2. Remove the four 6 mm bolts, and remove the upper muffler protector.



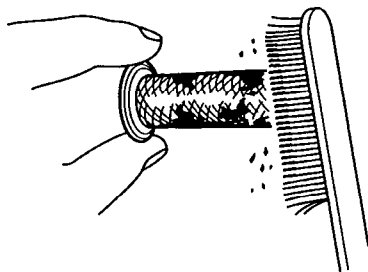
3. Remove the four 8 mm bolts, and remove the rear handle.
4. Remove the four 6 mm bolts, and remove the rear under plate.
5. Remove the lower muffler protector.



-
6. Remove the three 5 mm bolts, and remove the exhaust tail pipe and the spark arrester.

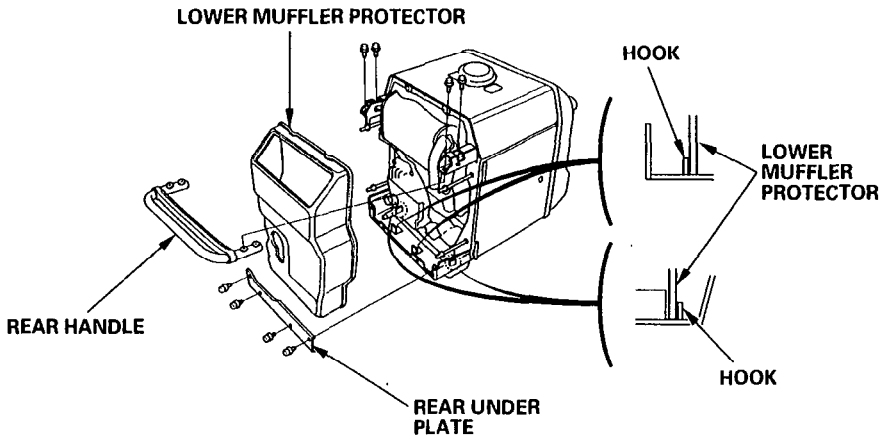


7. Use a brush to remove carbon deposits from the spark arrester screen.



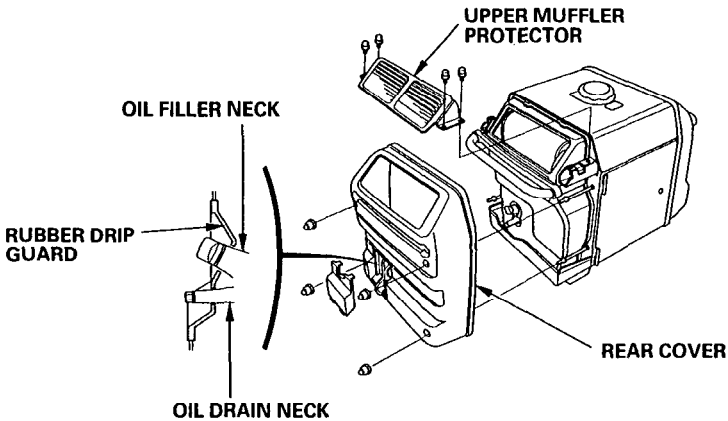
8. Inspect the screen for breaks or tears and replace it if necessary.
9. Install the spark arrester and the exhaust tail pipe in the reverse order of removal.

10. Install the lower muffler protector, the rear under plate and the rear handle in the reverse order of removal.



Install the lower muffler protector inside the hook securely.

11. Install the upper muffler protector and the rear cover in the reverse order of removal.



When installing the rear cover, carefully fit the rubber drip guard around the oil filler neck and oil drain neck.

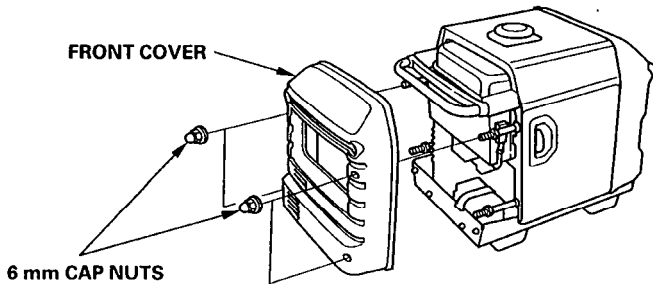
BATTERY (EU3000is only)

The generator's engine has a 0.5 amp charging system to charge the battery while the engine is running. If the generator is only used periodically, the battery must be charged monthly to maintain the battery service life.

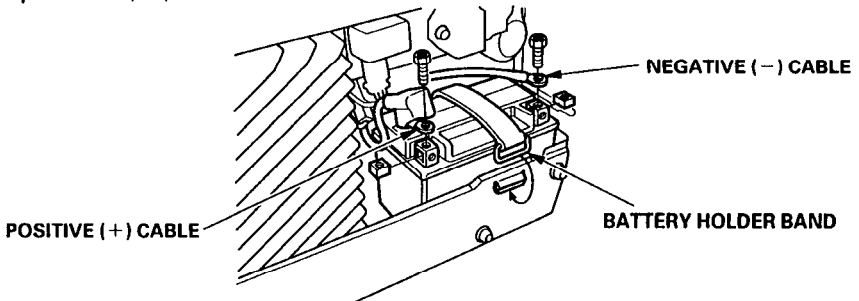
A lead acid battery self discharges at a rate of 0.5–1.0% per day. This means that the battery, if the generator is not operated in a month, can discharge as much as 30% in the same period. This could cause the engine not to crank or shorten the service life of the battery. To charge the battery, follow the procedures below.

Removal:

1. Remove the four 6 mm cap nuts, and remove the front cover.



2. Remove the battery holder band.
3. Remove the negative (–) cable from the battery negative (–) terminal; then remove the positive (+) cable from the battery positive (+) terminal.



4. Remove the battery from the battery tray.

Charging:

The battery is rated at 8Ah (ampere-hours). 10% of the ampere-hour rating should be used as the charging current. A battery charger should be used that can be adjusted to deliver 0.8 amps.

▲WARNING

The battery gives off explosive gasses; keep sparks, flames and cigarettes away from the battery while charging. Provide adequate ventilation when charging.

- **The battery contains sulfuric acid (electrolyte). Contact with skin or eyes may cause severe burns. Wear protective clothing and a face shield.**
 - **If electrolyte gets on your skin, flush with water.**
 - **If electrolyte gets in your eyes, flush with water for at least 15 minutes and call a physician immediately.**
- **Electrolyte is poisonous.**
 - **If swallowed, drink large quantities of water or milk and follow with milk of magnesia or vegetable oil and call a physician.**

1. **Connect the battery charger following the manufacturer's instructions.**
2. **Charge the battery 3–4 hours.**
3. **Clean the outside of the battery and the battery tray compartment with a solution of baking soda and water.**

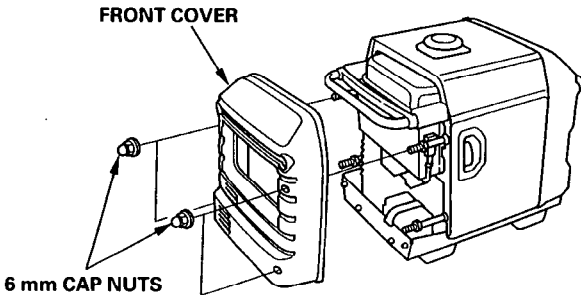
Installation:

1. Install the battery in the generator.
2. Install the positive (+) cable to the battery positive (+) terminal; then install the negative (-) cable to the battery negative (-) terminal.
3. Install the battery holder band.
4. Install the front cover, and install the four 6 mm cap nuts.

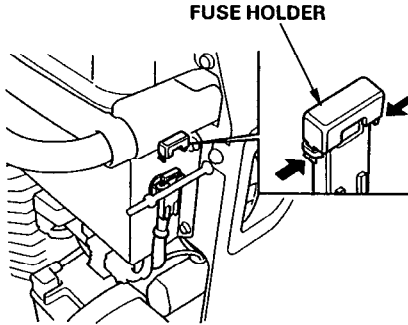
FUSE REPLACEMENT (EU3000is only)

If the fuse is blown, the starter motor won't operate.

1. Turn the engine switch to the OFF position.
2. Remove the four 6 mm cap nuts and the front cover.



3. Remove the fuse holder cover and replace the fuse.
The specified fuse is 5A.



If frequent fuse failure occurs, determine the cause and correct the problem before attempting to operate the generator further.

NOTICE

Never use a fuse with a different rating from that specified. Serious damage to the electrical system or fire may result.

TRANSPORTING/STORAGE

TRANSPORTING

If the generator has been used, allow it cool for at least 15 minutes before loading the generator on the transport vehicle. A hot engine and exhaust system can burn you and can ignite some material.

When transporting the generator, turn the engine switch and the fuel valve OFF, and keep the generator level to reduce the possibility of fuel leakage.

Take care not to drop or strike the generator when transporting. Do not place heavy objects on the generator.

STORAGE

Before storing the unit for an extended period:

1. Be sure the storage area is free of excessive humidity and dust.
2. Service according to the table below:

STORAGE TIME	RECOMMENDED SERVICE PROCEDURE TO PREVENT HARD STARTING
Less than 1 month	No preparation required
1 to 2 months	Fill with fresh gasoline and add gasoline conditioner *.
2 months to 1 year	Fill with fresh gasoline and add gasoline conditioner *. Drain the carburetor float bowl. (page 59). Drain the fuel sediment cup. (page 48).
1 year or more	Fill with fresh gasoline and add gasoline conditioner *. Drain the carburetor float bowl. (page 59). Drain the fuel sediment cup. (page 48). Remove the spark plug. Put a tablespoon of engine oil into the cylinder. Turn the engine slowly with the starter grip to distribute the oil. Reinstall the spark plug. Change the engine oil. (page 43). After removal from storage, drain the stored gasoline into a suitable container, and fill with fresh gasoline before starting.
* Use gasoline conditioners that are formulated to extend storage life. Contact your authorized Honda generator dealer for conditioner recommendations.	

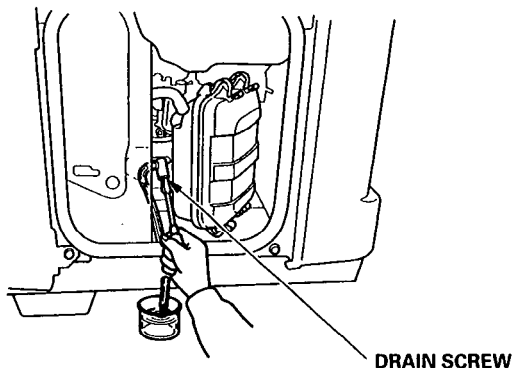
Storage Procedure

1. Drain the carburetor and the fuel sediment cup.
 - a. Open the left-side maintenance cover.
 - b. Loosen the carburetor drain screw.
 - c. Drain the gasoline from the carburetor into a suitable container.
 - d. Tighten the carburetor drain screw.
 - e. Drain the fuel sediment cup (see page 48).
 - f. Close the left-side maintenance cover.

▲WARNING

Gasoline is highly flammable and explosive. You can be burned or seriously injured when handling fuel.

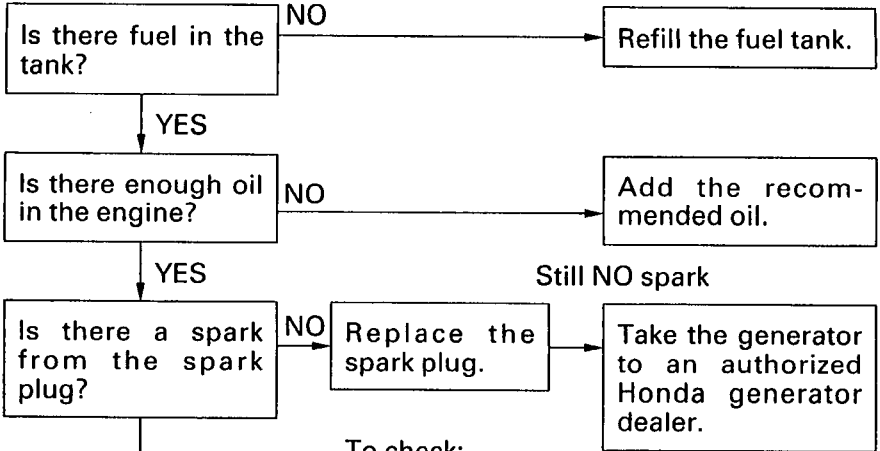
- **Keep heat, sparks, and flame away.**
- **Handle fuel only outdoors.**
- **Wipe up spills immediately.**



2. Change the engine oil (page 43).
3. Remove the spark plug, and pour about a tablespoon of clean engine oil into the cylinder. Crank the engine several revolutions to distribute the oil, then reinstall the spark plug.
4. Slowly pull the starter grip until resistance is felt. At this point, the piston is coming up on its compression stroke and both the intake and exhaust valves are closed. Storing the engine in this position will help to protect it from internal corrosion.
5. EU3000is only:
Once a month, recharge the battery (see page 53).

TROUBLESHOOTING

When the engine will not start:



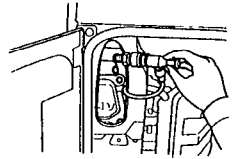
▲WARNING

Be sure there is no spilled fuel around the spark plug. Spilled fuel may ignite.

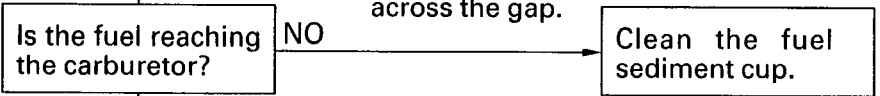
Still NO spark

To check:

- 1) Remove the spark plug cap and clean any dirt from around the spark plug.
- 2) Remove the spark plug and install the spark plug in the plug cap.
- 3) Set the plug side electrode on the cylinder head.
- 4) Crank the engine, sparks should jump across the gap.



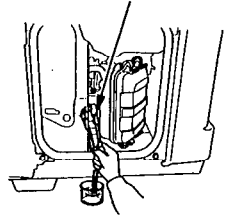
YES



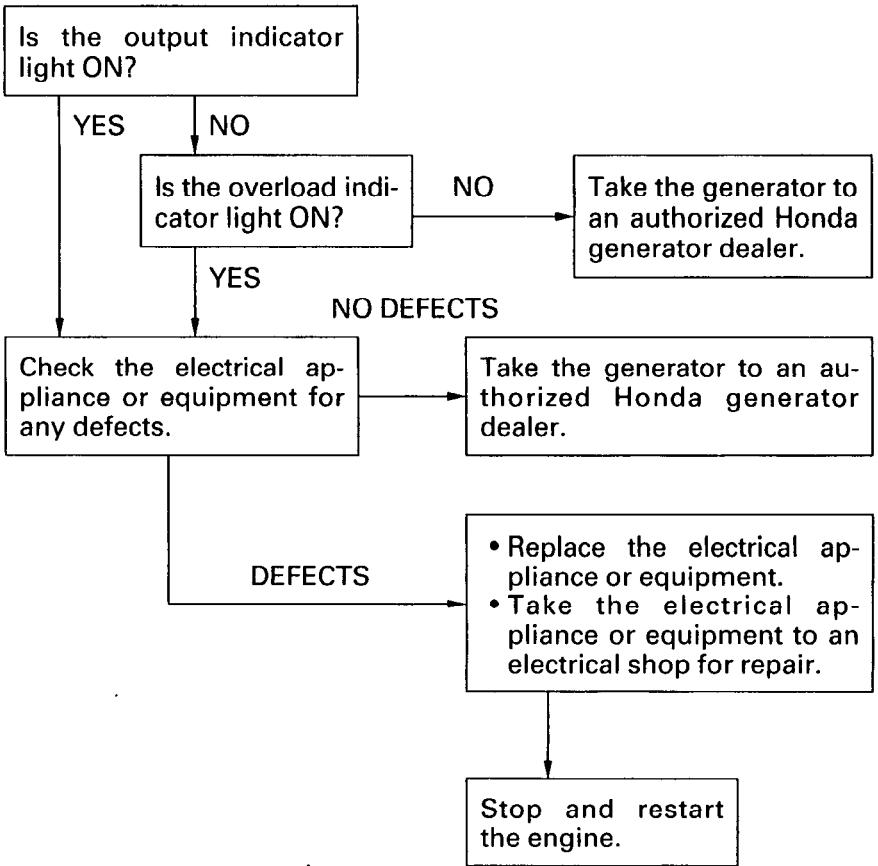
To check:

- 1) Turn off the fuel valve and loosen the drain screw.
- 2) Turn the fuel valve to ON. Fuel should flow from the drain when the fuel valve is turned ON.

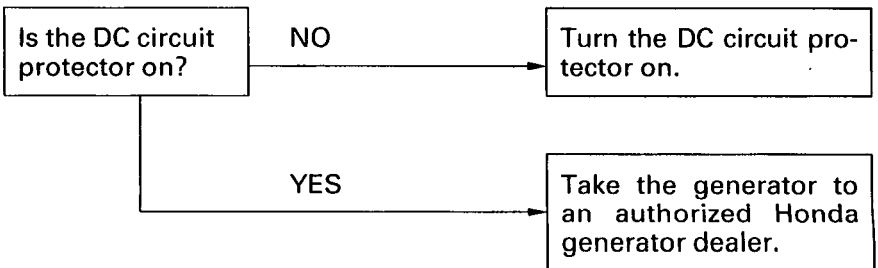
DRAIN SCREW



Appliance does not operate:



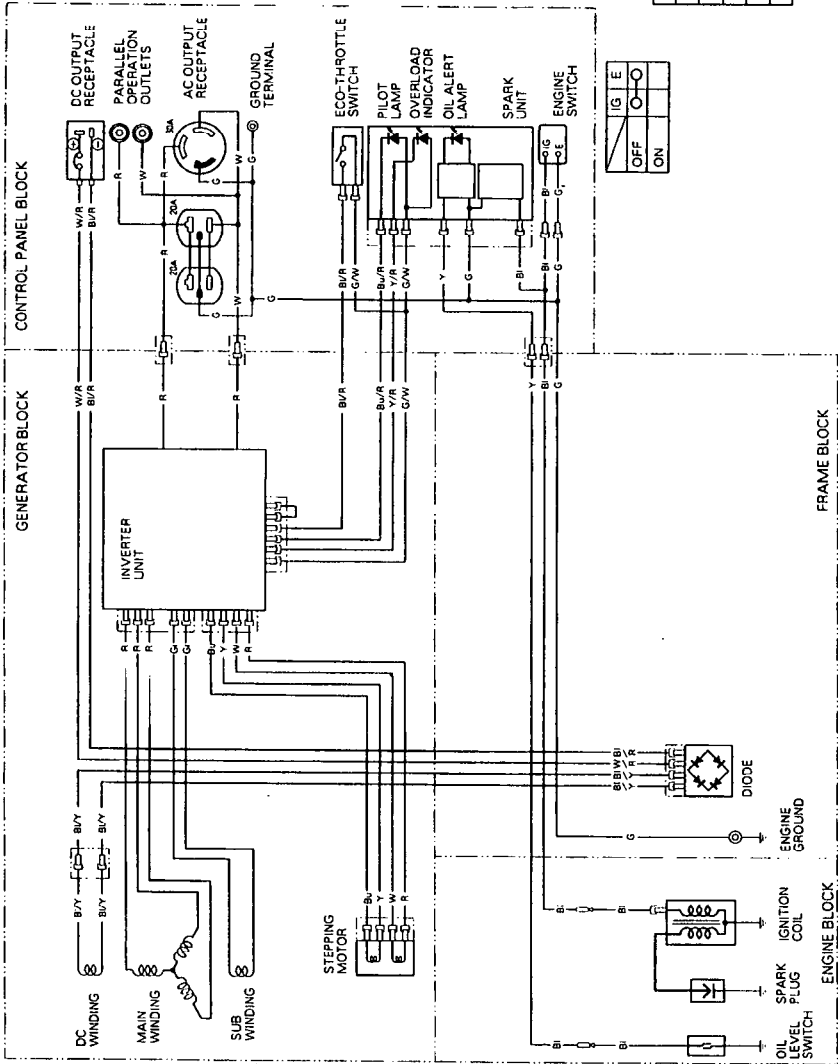
No electricity at the DC receptacle:

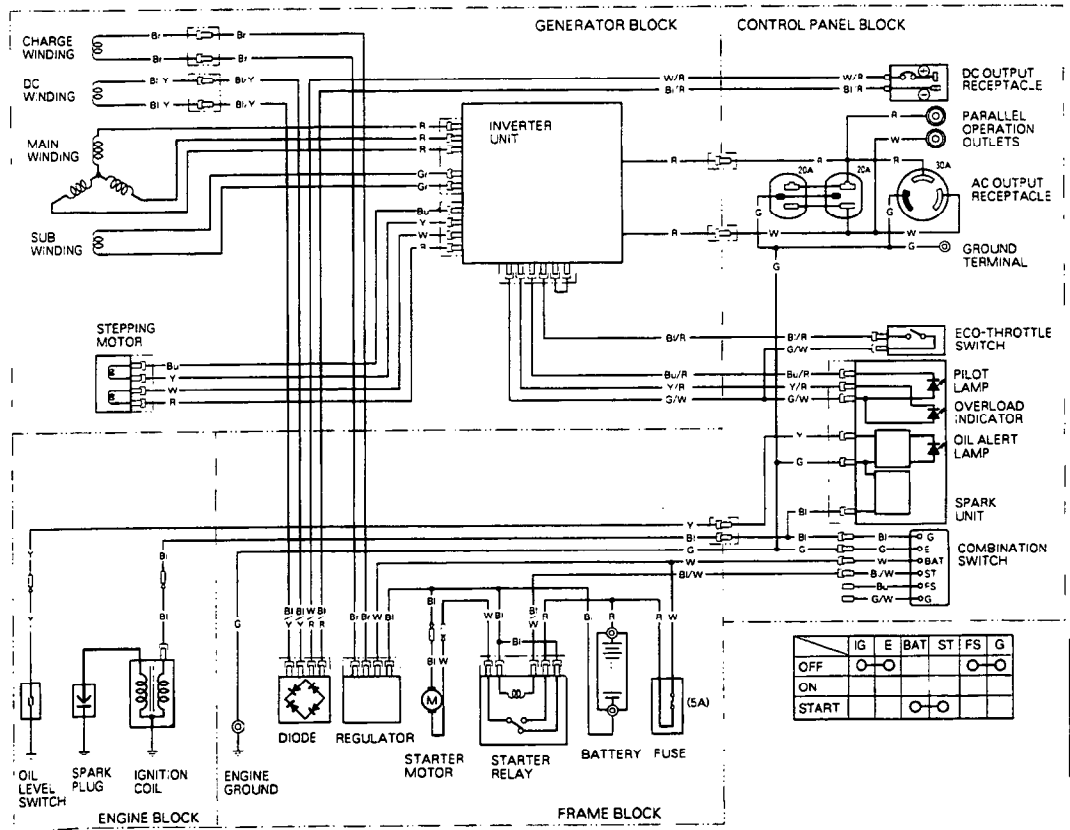


WIRING DIAGRAM

EU2600i

Bl	Black	Bf	Brown
Y	Yellow	O	Orange
Bu	Blue	Lb	Light blue
G	Green	Lg	Light green
R	Red	P	Pink
W	White	Gr	Gray





	IG	E	BAT	ST	FS	G
OFF	○	○				○
ON						
START			○	○		

Bl	Black	Br	Brown
Y	Yellow	O	Orange
Bu	Blue	Lb	Light blue
G	Green	Lg	Light green
R	Red	P	Pink
W	White	Gr	Gray

SPECIFICATIONS

EU2600i

Dimensions

Model (Type)	EU2600i (Stand type)	EU2600i (Wheel type)
Power product description code	EZGE	
Length	655 mm (25.8 in)	
Width	445 mm (17.5 in)	480 mm (18.9 in)
Height	555 mm (21.9 in)	570 mm (22.4 in)
Dry weight	54.0 kg (119.0 lbs)	56.0 kg (123.5 lbs)

Engine

Model	GX160K1
Engine Type	4-stroke, overhead valve, single cylinder
Displacement [Bore x Stroke]	163 cm ³ (9.9 cu-in) [68 × 45 mm (2.7 × 1.8 in)]
Compression Ratio	8.5:1
Engine Speed	3,500 rpm
Cooling System	Forced air
Ignition System	Transistorized magneto
Oil Capacity	0.55 l (0.58 US qt , 0.48 Imp qt)
Fuel Tank Capacity	13.0 l (3.43 US gal , 2.86 Imp gal)
Spark Plug	BPR5ES (NGK) W16EPR-U (DENSO)

Generator

Model	EU2600i	
Type	A	
AC output	Rated voltage	120 V
	Rated frequency	60 Hz
	Rated Ampere	20.0 A
	Rated Output	2.4 kVA
	Maximum Output	2.6 kVA
DC output	Only for charging 12V automotive batteries. Maximum charging output=10A	

Tune-up Specifications

ITEM	SPECIFICATION	MAINTENANCE
Spark plug gap	0.70 - 0.80 mm (0.028 - 0.031 in)	Refer to page: 46
Valve clearance	IN: 0.15 ± 0.02 mm (cold) EX: 0.20 ± 0.02 mm (cold)	See your authorized Honda dealer
Other specifications	No other adjustments needed.	

NOTE:

Specifications may vary according to the types, and are subject to change without notice.

EU3000is

Dimensions

Model (Type)	EU3000is (Stand type)	EU3000is (Wheel type)
Power product description code	EZGF	
Length	655 mm (25.8 in)	
Width	445 mm (17.5 in)	480 mm (18.9 in)
Height	555 mm (21.9 in)	570 mm (22.4 in)
Dry weight	59.0 kg (130.1 lbs)	61.0 kg (134.5 lbs)

Engine

Model	GX200
Engine Type	4-stroke, overhead valve, single cylinder
Displacement [Bore x Stroke]	196 cm ³ (12.0 cu-in) [68 × 54 mm (2.7 × 2.1 in)]
Compression Ratio	8.5:1
Engine Speed	3,500 rpm
Cooling System	Forced air
Ignition System	Transistorized magneto
Oil Capacity	0.55 l (0.58 US qt, 0.48 Imp qt)
Fuel Tank Capacity	13.0 l (3.43 US gal, 2.86 Imp gal)
Spark Plug	BPR5ES (NGK) W16EPR-U (DENSO)

Generator

Model	EU3000is	
Type	A	
AC output	Rated voltage	120 V
	Rated frequency	60 Hz
	Rated Ampere	23.4 A
	Rated Output	2.8 kVA
	Maximum Output	3.0 kVA
DC output	Only for charging 12V automotive batteries. Maximum charging output=12A	

Tune-up Specifications

ITEM	SPECIFICATION	MAINTENANCE
Spark plug gap	0.70–0.80 mm (0.028–0.031 in)	Refer to page: 46
Valve clearance	IN: 0.15±0.02 mm (cold) EX: 0.20±0.02 mm (cold)	See your authorized Honda dealer
Other specifications	No other adjustments needed.	

NOTE:

Specifications may vary according to the types, and are subject to change without notice.

WARRANTY SERVICE INFORMATION

Serviceing dealership personnel are trained professionals. They should be able to answer any question you may have. If you encounter a problem that your dealer does not solve to your satisfaction, please discuss it with the dealership's management. The Service Manager or General Manager can help. Almost all problems are solved in this way.

If you are dissatisfied with the decision made by the dealership's management, contact the Honda Power Equipment Customer Relations Office. You can write to:

American Honda Motor Co., Inc.
Power Equipment Division
Customer Relations Office
4900 Marconi Drive
Alpharetta, Georgia 30005-8847

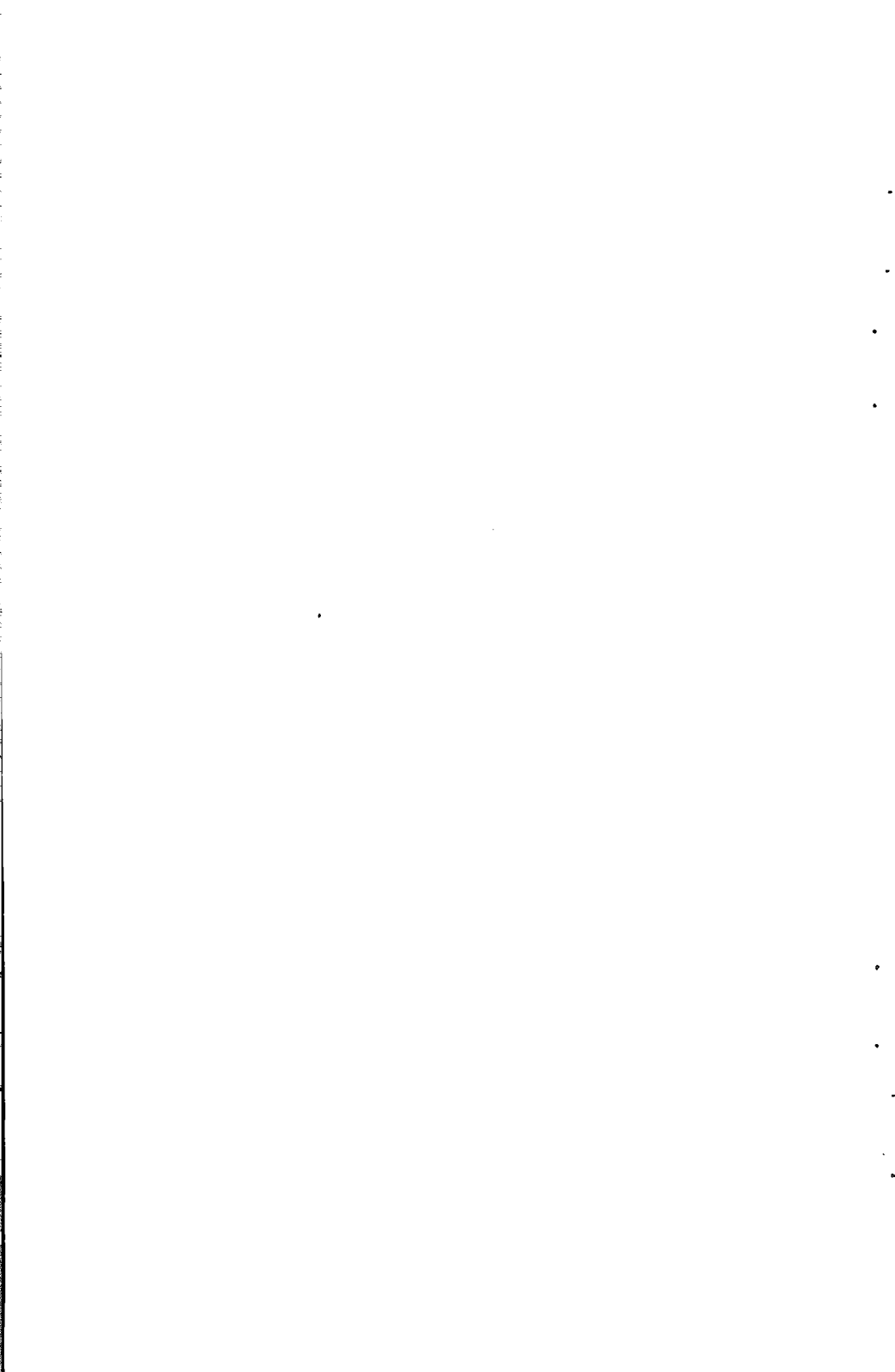
Or telephone: (770) 497-6400

When you write or call, please give us this information:

- Model and serial number (see page 10)
- Name of dealer who sold the generator to you
- Name and address of dealer who services your generator
- Date of purchase
- Your name, address, and telephone number
- A detailed description of the problem

COMPONENT IDENTIFICATION	9
CONTENTS	3
CONTROLS	11
Choke knob	13
DC Circuit Protector	16
DC Receptacle	16
Eco-throttle Switch	13
Engine Switch (EU3000is)	11
Engine Switch (EU2600i)	11
Fuel Valve	12
Ground Terminal	17
Oil Alert® System	15
Output Indicator Light	14
Overload Indicator Light	14
Parallel Operation Outlets	15
Recoil Starter	12
GENERATOR USE	18
AC Applications	19
AC Applications in Parallel Operation	22
AC Operation	20
AC Operation in Parallel Operation	24
Connections to a Building Electrical System	18
DC Operation	26
Eco-throttle System	29
Ground System	18
High Altitude Operation	30
Special Requirements	18
MAINTENANCE	38
Air Cleaner Service	44
Battery	53
Emission Control System Information	40
Engine Oil Change	43
Fuse Replacement	56
Fuel Sediment Cup Cleaning	48
Importance of Maintenance	38
Maintenance Safety	39
Maintenance Schedule	42
Spark Arrester Maintenance	50
Spark Plug Service	46

PRE-OPERATION CHECK	31
Engine Oil	31
Fuel Recommendations	33
Refueling	32
SAFETY	5
Safety Information	7
Safety Label Locations	5
SPECIFICATIONS	64
STARTING THE ENGINE	35
STOPPING THE ENGINE	37
TRANSPORTING/STORAGE	57
Storage	58
Transporting	57
TROUBLESHOOTING	60
WARRANTY SERVICE INFORMATION	66
WIRING DIAGRAM	62



HONDA®
HONDA MOTOR CO., LTD. TOKYO, JAPAN

P/N 31ZT7601
00X31-ZT7-6010



Printed on
Recycled Paper

CC

POM52969-A



150.2002.06

PRINTED IN U.S.A.