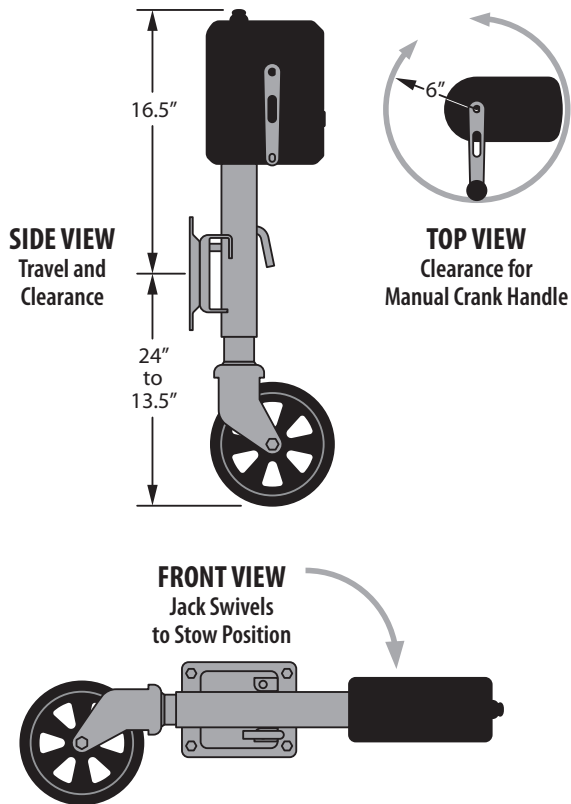


PowerJack SPECIFICATIONS

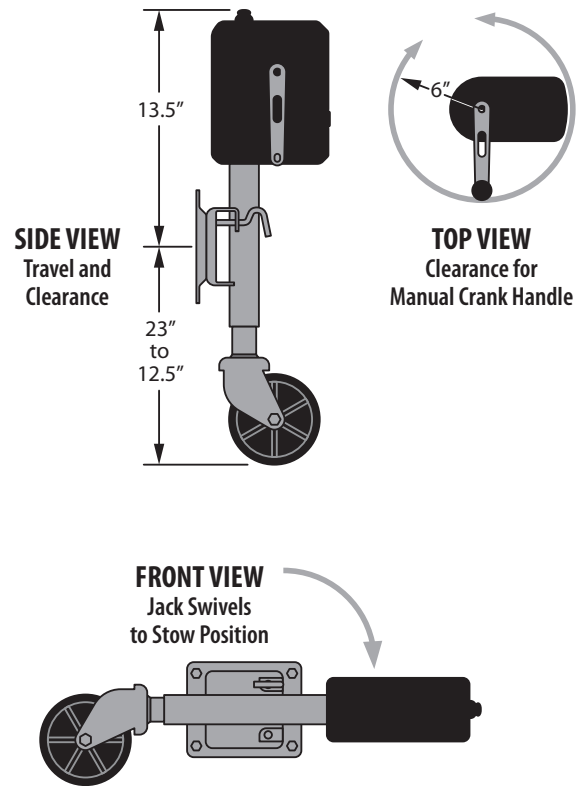
PowerJack 1500

Model # T10143
1500 lbs Capacity
Min/Max Height: 13.5 to 24"



PowerJack 1000

Model # T10140
1000 lbs Capacity
Min/Max Height: 12.5 to 23"



Both Models Include:

- POWER CORD – 8-foot cord with standard 12-volt trailer light 4-flat plug, stows inside housing.
- HIGH IMPACT ALL-TERRAIN WHEEL
- QUALITY PARTS – Rugged die-cast aluminum gearbox, all steel gears, and heavy-duty DC motor.
- ANTI-CORROSION – Metal parts are protected with breakthrough Dacromet® anti-corrosion coating, a 4-level technology that fights corrosion with barrier protections, galvanic action, passivation, and a unique self-repairing action that fills damaged areas with zinc oxides and carbonates.
- MANUAL CRANK HANDLE – Ready for use when power is not available, stows on side.
- INSTALLATION HARDWARE

TRAC®

www.TRAC-Outdoor.com