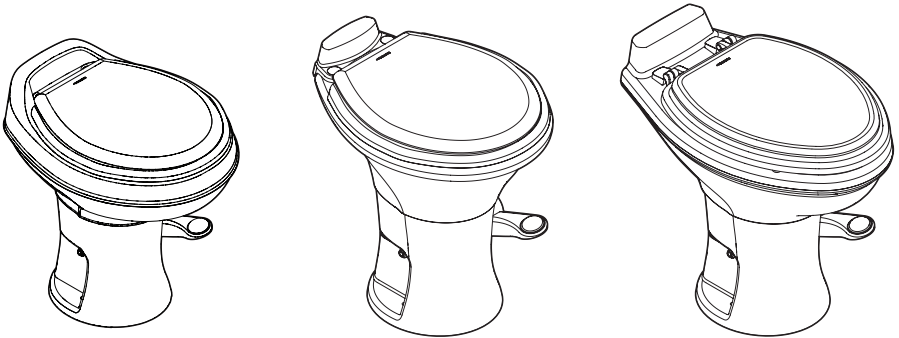


↗ DOMETIC

SANITATION TOILETS



300 Series (300, 301), 310 Series (310, 311), 320 Series (320, 321)

EN

Gravity-Flush Toilet

Installation and Operation Manual 2

FR

Toilette à chasse par gravité

Manuel d'installation et d'utilisation . . . 19

ES

Inodoro con descarga por gravedad

Manual de instalación y funcionamiento . . 37



⚠ WARNING

Cancer and Reproductive Harm
www.P65Warnings.ca.gov

Attention Consumers: This product is intended to replace an existing toilet in your RV. If you are creating a new installation or planning a more complicated project, please consult a qualified service professional.

Service Center & Dealer Locations

Visit: www.dometic.com

Read these instructions carefully.
These instructions **MUST** stay with this product.

Contents

1 Explanation of Symbols and Safety Instructions	2
2 Pre-Installation	3
3 Installation	7
4 Operation	9
5 Maintenance	10
6 Troubleshooting	15
7 Disposal	17
8 Warranty Information	17

1 Explanation of Symbols and Safety Instructions

This manual has safety information and instructions to help you eliminate or reduce the risk of accidents and injuries.

1.1 Recognize Safety Information

This is the safety alert symbol. It is used to alert you to potential physical injury hazards. Obey all safety messages that follow this symbol to avoid possible injury or death.

1.2 Understand Signal Words

A signal word will identify safety messages and property damage messages, and also will indicate the degree or level of hazard seriousness.



DANGER!
Indicates a hazardous situation that, if **not** avoided, will result in death or serious injury.



WARNING
Indicates a hazardous situation that, if **not** avoided, could result in death or serious injury.

**CAUTION**

Indicates a hazardous situation that, if **not** avoided, could result in minor or moderate injury.

NOTICE: Used to address practices **not** related to physical injury.



Indicates additional information that is **not** related to physical injury.

1.3 Supplemental Directives

To reduce the risk of accidents and injuries, please observe the following directives before proceeding to install, operate, or service this appliance:

- Read and follow all safety information and instructions.
- Read and understand these instructions before installing, operating, or servicing this product.
- The installation must comply with all applicable local or national codes, including the latest edition of the following standards:

U.S.A.

- ANSI/NFPA70, National Electrical Code (NEC)
- ANSI/NFPA 1192, Recreational Vehicles Code
- ANSI Z21.57, Recreational Vehicles Code

Canada

- CSA C22.1, Parts I & II, Canadian Electrical Code
- CSA Z240 RV Series, Recreational Vehicles

1.4 Personal and Product Safety

NOTICE: Failure to adhere to the instructions in the following statements could result in personal, product, and/or property damage.

- Modifying this product may result in property damage.
- Always turn off the water supply before removing, installing, or repairing a plumbing fixture.

- Do **not** use chlorine or caustic chemicals, such as laundry bleach or drain-opening products, in the system. These products damage the seals in toilets and other plumbing valves.
- Do **not** flush foreign objects (paper towels, paper cups, diapers, sanitary napkins, etc.).
- Mechanical seal toilets are designed to only discharge directly into a holding tank. Avoid horizontal pipe runs (often found in conventional residential or commercial plumbing systems).
- The toilet bowl **must** be regularly cleaned and the system winterized according to the procedures in this manual, or your warranty coverage may be voided. Refer to "Performing Routine Toilet Cleaning" on page 11 and "Winterizing and Storing the Toilet" on page 12.

2 Pre-Installation

This section provides product information, including specifications, and helps you prepare to install your new toilet.

2.1 Intended Use

The Dometic 300, 310, and 320 Series Gravity-Flush Toilets are designed for use in recreational vehicles (RVs). These products are lightweight, residential-size toilets for installation directly above a holding tank.

The manufacturer accepts no liability for damage in the following cases:

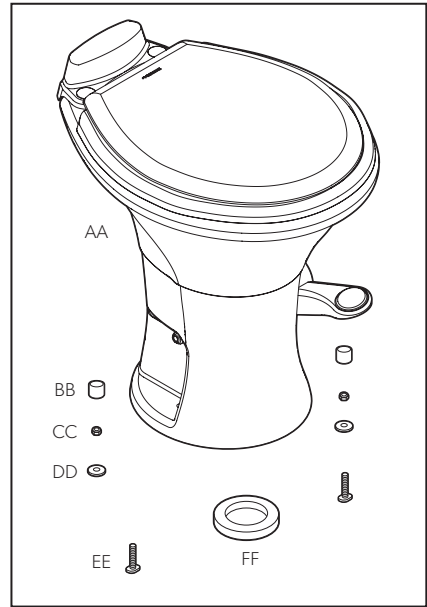
- Faulty assembly or connection
- Damage to the product resulting from mechanical influences and excess voltage
- Alterations to the product without express permission from the manufacturer
- Use for purposes other than those described in the operating manual

Dometic Corporation reserves the right to modify appearances and specifications without notice.

- i** The images are for reference purposes only. Parts and part locations may vary according to specific product models. Measurements may vary ± 0.38 in. (10 mm).

2.2 Package Contents

This section shows the package contents provided with the toilet models. Actual package contents may vary. Refer to the complete parts list (available online at www.dometic.com) for additional information.

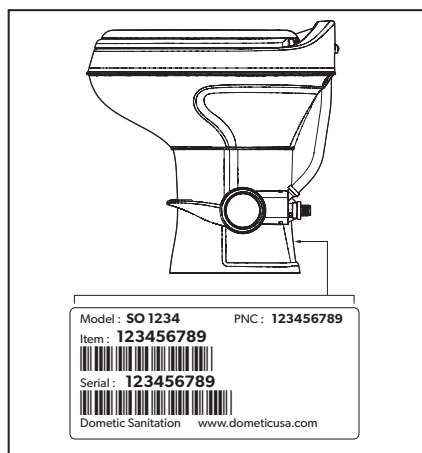


1 Contents

- | | |
|-------------------------------------|--|
| (AA) Assembled Toilet | (DD) Floor Mounting Washer (x2) |
| (BB) Floor Mounting Cap (x2) | (EE) Floor Mounting T-bolt (x2) |
| (CC) Floor Mounting Nut (x2) | (FF) Floor Flange Seal |

2.3 Model Identification

The toilet model identification label is located on the toilet base under the water valve. Have the information from this label ready, if contacting Dometic for service.



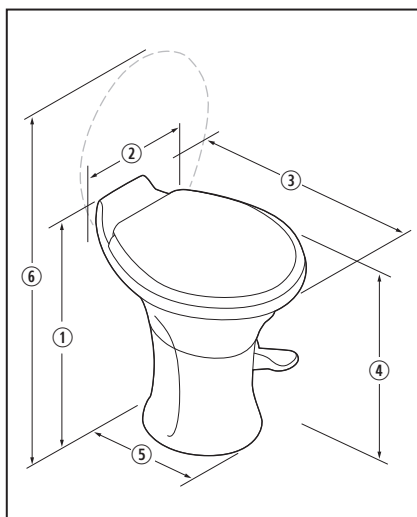
2 Model ID Label Location

2.4 Product Composition

Toilet Bowl	Vitreous ceramic (310, 311, 320, 321 models) Polypropylene (300, 301 models)
Toilet Seat	Polypropylene (300, 301, 310, 311 models) Enameled wood (320, 321 models)
Flush Ball Seal	Nitrile butyl rubber
Toilet Base	Polypropylene
Foot Pedal	Polypropylene
Water Valve	Polypropylene
Vacuum Breaker	ABS/polypropylene
Floor Seal	Nitrile rubber, foam

2.5 Toilet Dimensions

This section provides the product dimensions for both the standard-height and low-profile toilet models.



3 Product Dimensions: Both Heights

2.5.1 Standard-Height Toilet Dimensions

Ref	300 Model in. (mm)	310 Model in. (mm)	320 Model in. (mm)
①	19.75 (502)	20 (508)	19.75 (502)
②	16 (406)	15 (381)	14.75 (375)
③	19.75 (502)	19 (483)	22 (559)
④	Seat Height: 18.25 (464)	Seat Height: 18 (457)	Seat Height: 18.25 (467)
⑤	13.25 (337)	14.75 (375)	16 (406)
⑥	Seat Lid Up: 33.5 (851)	Seat Lid Up: 33 (838)	Seat Lid Up: 35 (889)

2.5.2 Low-Profile Toilet Dimensions

Ref	301 Model in. (mm)	311 Model in. (mm)	321 Model in. (mm)
①	15.5 (394)	15.25 (387)	15 (381)
②	16 (406)	15 (381)	14.75 (375)
③	19.75 (502)	19 (483)	22 (559)
④	Seat Height: 14 (356)	Seat Height: 13.75 (349)	Seat Height: 13.5 (343)
⑤	13 (330)	14.75 (375)	15.75 (400)
⑥	Seat Lid Up: 30 (762)	Seat Lid Up: 29.5 (749)	Seat Lid Up: 31 (787)

2.6 Installation Requirements

This manual will help you replace an existing toilet. To create a new location for your new toilet, contact a qualified service professional.

Verify that your existing toilet:

- Has a flexible water supply line coming through the floor or wall. If the line comes out of the floor, you will need an elbow adapter kit.
- Is attached to the floor with two bolts that are perpendicular to the back wall.
 - If there are four bolts, you will need a Universal Mounting Kit, in the appropriate color.
 - If you are changing the toilet orientation (the angle of the toilet to the room), you can use a Universal Mounting Kit, or remove the floor flange and install a new one in your preferred orientation.
- Is level with the floor. If the flange is installed in the sub-floor, you may need a taller seal than the one provided.

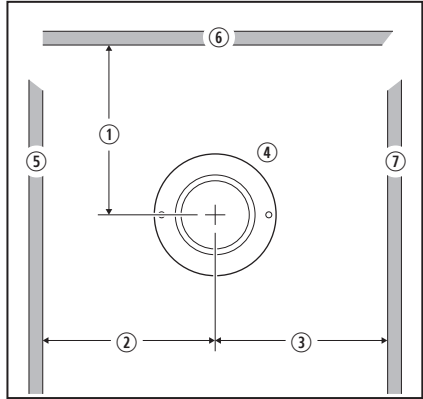
Make sure there is enough space for your new toilet. Compare the dimensions for your model listed in “Toilet Dimensions” on page 4 to the measurements listed in “Minimum Space Requirements” on page 5. Verify:

- The rough-in size (from the centerline of the flange to the back wall)
- The door swing clearance

- That the foot pedal, when depressed, will touch the same flat surface on which the toilet is installed.

i For a more pleasant installation day, empty the holding tank before you begin.

2.6.1 Minimum Space Requirements



4 Required Clearances, Including Rough-In

①	300 Model: 8.5 (216)	10 (254)	11 (279)
	301 Model: 8.75 (222)		
②	11 (279)		
③	11 (279)		
④	Floor Flange		
⑤	Left Wall		
⑥	Back Wall		
⑦	Right Wall		

2.6.2 Required Specifications

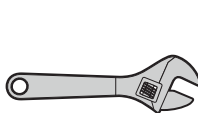
Water Supply Fitting	0.5 in. NPT
Static Water Pressure	30–100 PSI (206.8–689.5 kPa)
Recommended Flow Rate¹	3–5 gpm (11.4–18.9 lpm)
Minimum Flow Rate	2 gpm (9.5 lpm)
Discharge Floor Flange ID	3 in. (76 mm)
Discharge Floor Flange Thickness	0.25–0.44 in. (7–11 mm)

¹ Water supply that exceeds 5.0 gpm (18.9 lpm) may require a flow restrictor at the toilet inlet.

2.7 Tools and Materials

Dometic recommends the following tools and materials to install the product:

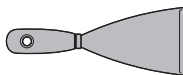
Required Tools and Materials (Not Included)



Pliers, Adjustable Wrench, or Torque Wrench



Small Bucket

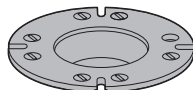


Putty Knife (to remove flange seal)

Optional Materials (Not Included)



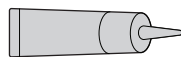
4 - Floor Flange Screws (8 preferred)



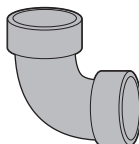
Floor Flange (must match the one you are replacing)



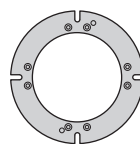
Screwdriver



Caulk (if installed in a wet area)



Elbow Adapter (depends on water supply line)



Universal Mounting Kit

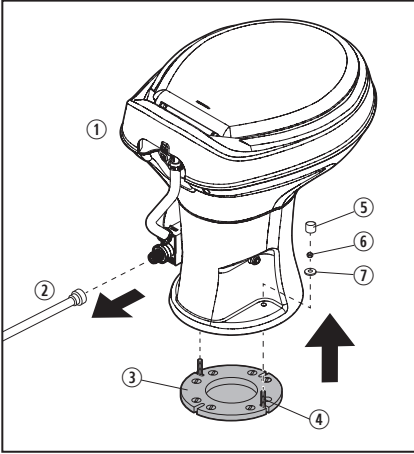
3 Installation

i Make sure to follow the recommended installation requirements in this manual.

This section provides instructions for removing an existing toilet, replacing the floor flange (if necessary), and installing your new toilet.

3.1 Removing an Existing Toilet

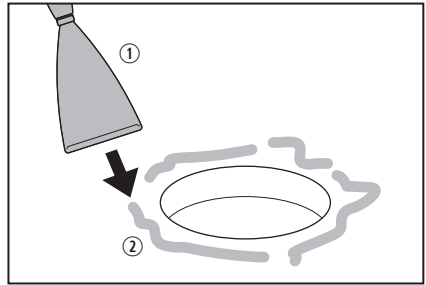
Follow these steps when replacing an older toilet, to prepare for the new installation:



5 Removing an Old Toilet

- | | |
|-------------------------|----------------------------|
| ① Old Toilet | ⑤ Existing Mounting Cap |
| ② Water Supply Line | ⑥ Existing Mounting Nut |
| ③ Existing Floor Flange | ⑦ Existing Mounting Washer |
| ④ Existing T-bolts | |

1. Turn off the water supply.
2. Disconnect and drain the water supply line.
3. Remove the existing floor mounting caps, floor mounting nuts, and floor mounting washers.
4. Lift the existing toilet off the bolts.
5. Remove and discard the existing floor mounting T-bolts.



6 Removing the Existing Seal Material

- | | |
|---------------|---------------------|
| ① Putty Knife | ② Old Seal Material |
|---------------|---------------------|

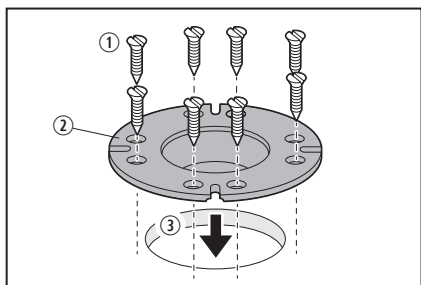
6. Use a putty knife to remove and discard any existing seal material from the floor and the floor flange.
7. Evaluate the floor flange. If it is damaged, remove it and install a new one, following the steps in "Installing a New Floor Flange" on page 7.
8. If you are installing a Universal Mounting Kit, follow the instructions that came with the kit.
9. Make sure the top surface of the floor is clean and free of any debris or sealant.

3.2 Installing a New Floor Flange

i If you will use the existing floor flange, skip to "Installing the New Toilet" on page 8.

i Consider engaging a qualified service professional if you must install a new floor flange.

1. Remove the existing floor flange by unfastening and discarding the existing screws. If the floor flange is glued down, you may need additional tools to remove it.
2. Before fastening the new floor flange, refer to "Installation Requirements" on page 5 to verify:
 - The toilet mounting holes are located at your preferred orientation.
 - The center of the floor flange is at least the recommended distance from the back wall for your toilet model.



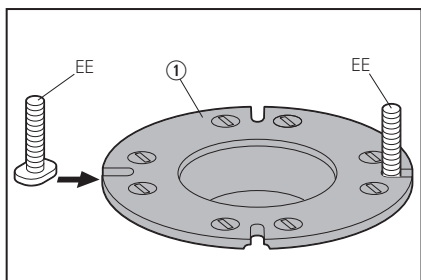
7 Installing the New Floor Flange

- ① Screws
- ② New floor flange
- ③ Outlet hole

3. Place the new floor flange into the outlet hole and secure it to the floor with a minimum of four screws (eight are preferred).

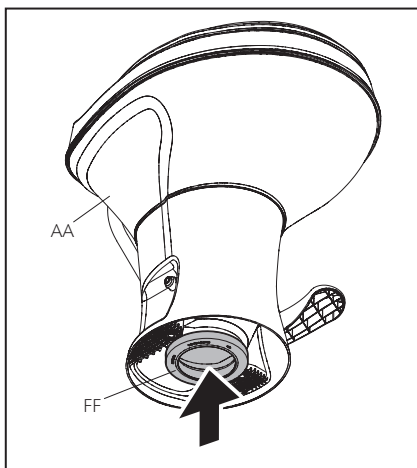
3.3 Installing the New Toilet

Follow these steps to install your new toilet:



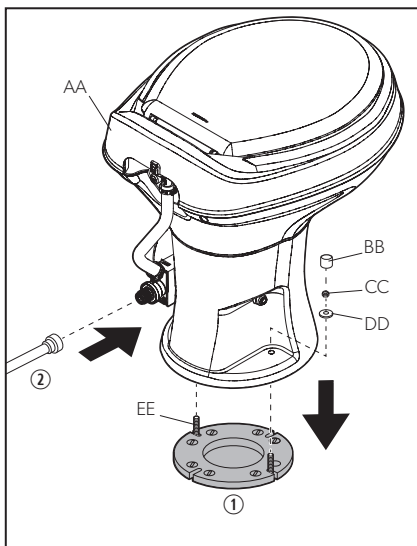
8 Inserting the T-bolts

- ① Floor flange
1. Insert the new floor mounting T-bolts (EE) into the slots in the floor flange.



9 Installing the Floor Flange Seal (FF)

- 2. Install the new floor flange seal (FF) to the base of the toilet (AA). On some models, it is already installed.
- 3. Carefully position the toilet (AA) over the floor flange.



10 Securing the New Toilet

- ① Floor Flange
 - ② Water Supply Line
4. Align the holes in the toilet base with the floor mounting T-bolts (EE) as you lower the toilet (AA) onto the floor flange.

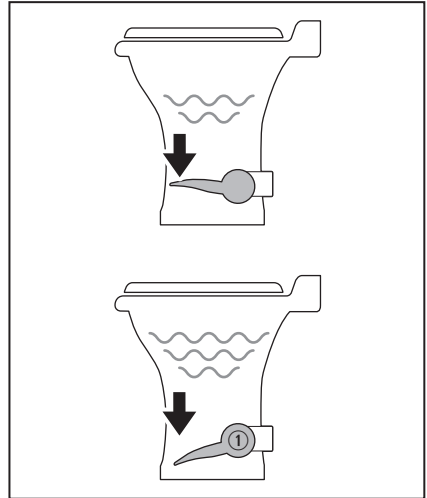
- 1. Be sure the entire outlet drain of the toilet base fits inside the floor flange outlet hole to avoid leaks.
 - 1. The toilet base might not rest evenly against the floor yet. The floor flange seal (FF) will compress as you complete the following steps.
5. Place the new floor mounting washers (DD) and then the new floor mounting nuts (CC) onto the floor mounting T-bolts (EE).
 6. Tighten the floor mounting nuts (CC). If a torque wrench is available, tighten them to 30–40 in. lb (3.4–4.5 N·m). Do not overtighten. Alternate between sides when tightening to prevent distortion. When the floor-mounting nuts (CC) are tight, the base of the toilet (AA) should be securely attached and flat against the floor.
 7. Attach the floor mounting caps (BB) onto the floor mounting nuts (CC).
- 1. If the toilet (AA) is being installed in a shower stall (or other wet area), apply a bead of caulk around the base of the toilet to prevent water seepage under the base.
8. Connect the water supply line and torque the connection to 30–40 in. lb (3.4–4.5 N·m). Do not overtighten.
- 1. If the water supply line comes out of the floor, install a 1/2 in. (13 mm) elbow fitting or adapter.
9. Turn on the water supply.
 10. Flush the toilet several times and check for leaks. Refer to “Flushing the Toilet” on page 9.
 11. Test for leaks by filling the bowl with water and letting it sit for an hour.

4 Operation

This section provides instructions on the proper use of these gravity-flush toilets.

4.1 Adding Water to the Bowl

Adding water to an empty bowl helps prevent holding tank odors from entering the living space. Adding water is recommended prior to flushing solids and toilet paper.



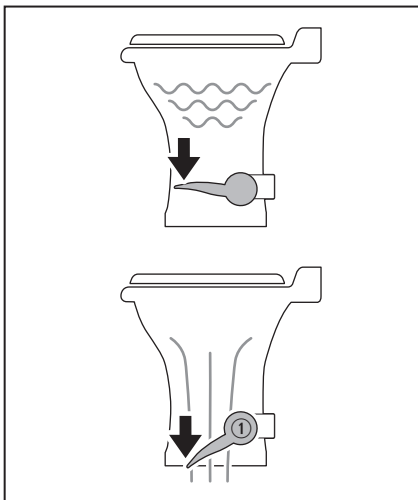
11 Partially Depressing the Flush Pedal

① Flush Pedal

1. To add water to the toilet, depress the flush pedal part way. Water flows into the bowl while the flush ball remains closed.
2. If the flush ball moves, let up on the pedal slightly.

4.2 Flushing the Toilet

NOTICE: Flush only water, bodily wastes, and rapid-dissolving toilet tissue. Do not flush foreign objects. Do not flush wet wipes, sanitary napkins, diapers, paper cups, cotton swabs, food, hair, or liquids such as oils or solvents. Failure to follow these instructions could cause clogging or damage to the toilet or the toilet system.



12 Fully Depressing the Flush Pedal

① Flush Pedal

1. To flush, depress the pedal until it contacts the floor.
2. Release the pedal after a complete flush.
 - When flushing liquids, depress the pedal for approximately 1–2 seconds.
 - When flushing solids, depress the pedal until the contents of the bowl rinses from the bowl. Flushing longer than necessary will cause the holding tank to fill too quickly.

A small amount of water will collect in the bowl after a flush to create an airtight seal.

i Residual water trickle in the ceramic bowls: Due to the integrated rim of the models 310, 311, 320, and 321 toilets, water may continue to trickle into the toilet bowl for up to 20 minutes after flushing. If the water trickle continues after 30 minutes, replace the water valve. Refer to “Replacing the Water Valve” on page 14.

So that holding tank odors do not enter the living space, make sure 1 in. (24 mm) of water remains in the toilet bowl. Depending on the plumbing system and user operation, adding water may be required to achieve this water depth. Refer to “Adding Water to the Bowl” on page 9.

5 Maintenance

Properly cleaning, winterizing, and maintaining your toilet will increase its lifespan.

NOTICE: If this toilet ever requires service, read the following statements before servicing the product. Failure to follow these guidelines can cause product damage and **can void your warranty coverage:**

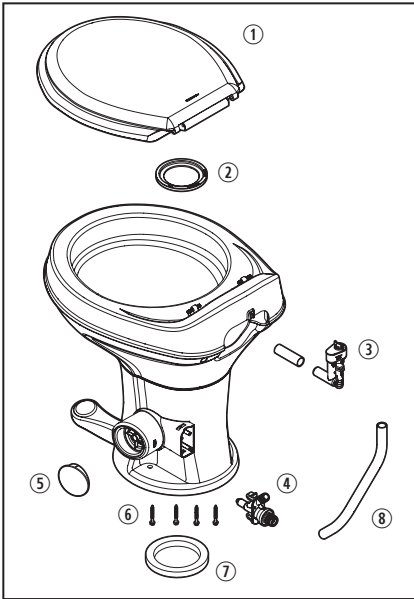
- Do **not** separate the ceramic bowl from the plastic base. Unlike other Dometic foot-pedal toilets, the bowl and base of the 300, 310, and 320 series toilets should **not** be separated for any reason.
- Do **not** remove the foot pedal from the base. This toilet has a factory-sealed bowl-to-base assembly.
- Do **not** disassemble the components.
- Refer to this manual and replacement kit instructions for maintenance and service information.

The toilet does **not** need to be removed from the vehicle (or unfastened from the floor) for basic repairs, like the flush ball seal replacement and water valve replacement.

If you need to call Dometic for assistance, have the exact model number available. Refer to “Model Identification” on page 4.

5.1 Serviceable Parts

This section shows the replacement parts for the toilet models. Actual available parts may vary. Refer to the complete parts list (available online at www.dometic.com) for additional information. To order parts, contact your local Dometic service partner or dealer.



13 300 Series Serviceable Parts

- | | |
|-------------------|---------------------|
| ① Toilet Seat | ⑤ Pedal Cover |
| ② Flush Ball Seal | ⑥ T-Bolts |
| ③ Vacuum Breaker | ⑦ Floor Flange Seal |
| ④ Water Valve | ⑧ Supply Hose |

5.2 Maintenance Kits and Materials

These kits are available for purchase:

- 300/310/320 Series Toilet Water Valve Replacement Kit
- Flush Ball Seal Replacement Kit
- Vacuum Breaker Kit

Recommended for cleaning:

- SeaLand® Toilet Bowl Cleaner
- Soft bristle brush
- Rubbing alcohol (300/301 only)

Recommended for winterization/storage:

- Nontoxic antifreeze (propylene glycol)

Optional for troubleshooting:

- SeaLand Holding Tank Deodorant
- Silicone spray

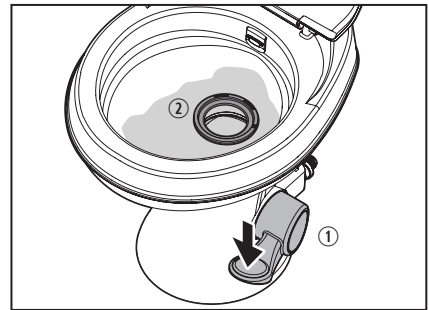
5.3 Performing Routine Toilet Cleaning

For routine cleaning, use SeaLand toilet bowl cleaner. If this cleaner cannot be found in your area, contact Dometic for your nearest dealer. If the cleaner is not available, use a non-abrasive bathroom and toilet bowl cleaner. Follow label instructions.

For stubborn stains on model 300 and 301 toilet bowls, carefully use rubbing alcohol to wipe and remove the stain.

5.4 Cleaning the Flush Ball and Seal

After a period of time, mineral deposits from hard water may build up on the flush ball or seal, resulting in a slow water leak. To prevent this, periodically clean the flush ball and seal.



14 Cleaning Debris from the Flush Ball Seal

- ① Flush Ball Seal ② Flush Pedal

1. Remove minor debris from the flush ball and seal by slowly depressing and releasing the flush pedal several times. This will loosen and rinse debris from the surfaces. Repeat several times for stubborn buildup.
2. If step 1 does not fully clean the ball and seal, clean with a soft bristle brush and SeaLand toilet bowl cleaner.
 - Fully clean the top of the flush ball and under the seal where it contacts the flush ball.

- After cleaning the underside of the seal, apply light, downward pressure to the top of the seal while brushing around the full perimeter of the seal.

i If the ball pivot arm becomes dislodged while cleaning inside the base beneath the flush ball and seal, re-engage it into the pivot point. Refer to Figure 16 for the location of the pivot point.

i If this procedure does not correct a leaking seal, it may require replacement. Detailed replacement instructions are included with the replacement flush ball seal kits.

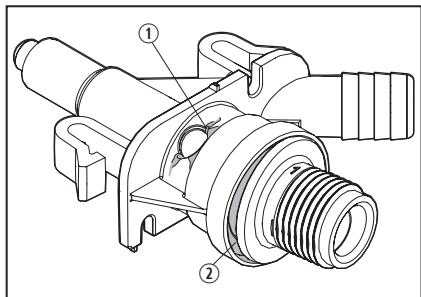
5.5 Winterizing and Storing the Toilet

⚠ WARNING: POISON HAZARD.
Do **not** use automotive-type antifreeze (ethylene glycol) in freshwater systems. Failure to obey this warning could result in death or serious injury:

⚠ CAUTION: BODILY HARM HAZARD.
This toilet is **not** intended for use when exposed to temperatures below freezing. Failure to obey this caution could result in minor or moderate injury.

NOTICE: The toilet warranty expressly excludes coverage for any damages to the toilet or the vehicle that may occur due to improper winterization of the toilet. Freeze damage that results in leaks to the water valve is an indicator of improper winterization.

5.5.1 Preventing a Frozen Water Valve



15 Identifying a Damaged Water Valve

① Freeze Damage ② Water Valve Damage

These toilet water valves exceed the applicable standards for maximum water pressure as defined by the North American plumbing code agencies. However, if trapped water freezes in the piping that supplies water to the toilet, it expands and creates extremely high pressure that can damage the valve.

If the freeze damage indicator window (1) has white stress marks, it indicates freeze-damage. Water valve damage is due to severe exposure to below-freezing temperatures.

To avoid damage, winterize the toilet as described in this manual. If freeze damage occurs as a result of improper winterization, replace the water valve with a 300/310/320 series toilet water valve kit.

If the water valve is returned for a warranty claim, Dometic reserves the right to deny the claim if the problem is caused by freeze damage.

i Use nontoxic antifreeze (propylene glycol) designated for potable water systems (See the vehicle owner's manual).

When a toilet may be exposed to temperatures below freezing, the toilet must be winterized using the "Non-toxic Antifreeze Winterization Method" on page 12 or the "Drain Water from the Toilet Method" on page 13. When a toilet is stored for long periods of time, or the water becomes stagnant, flush the system using the "Drain Water from the Toilet Method" on page 13.

5.5.2 Non-toxic Antifreeze Winterization Method

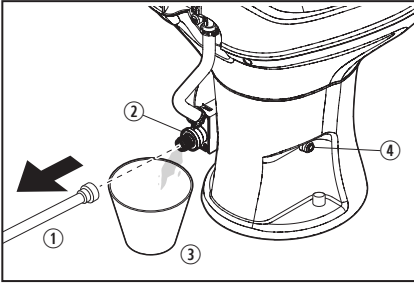
i This is the recommended method.

1. Pour non-toxic antifreeze into the potable water tank according to the instructions from the antifreeze manufacturer.
2. Flush the toilet (several times) until the antifreeze has flowed completely through the toilet.

i For toilets with a hand sprayer, the hand sprayer must be turned on for antifreeze to cycle through the sprayer.

5.5.3 Drain Water from the Toilet Method

1. Turn off the water supply to the toilet.



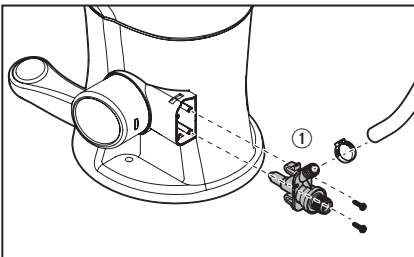
16 Removing the Water Supply

- | | |
|---------------------|--------------------------------------|
| ① Water Supply Line | ③ Small Bucket |
| ② Water Inlet Valve | ④ Pivot Point for the Ball Pivot Arm |
2. Remove the water supply line from the water valve.
 3. Place a small bucket under the water valve inlet to catch draining water.
 4. Depress the flush pedal and allow water to completely drain from the water valve and vacuum breaker.
 5. Leave the water line disconnected until the threat of freezing temperatures is past.

NOTICE: Do **not** leave the RV unoccupied for extended periods of time with a municipal water supply connected, or with the onboard water pump turned on, when there is a possibility of freezing temperatures.

5.6 Replacing the Water Valve

Refer to the detailed replacement instructions in the water valve replacement kit before removing or installing a water valve assembly.



17 Removing the Water Valve Assembly

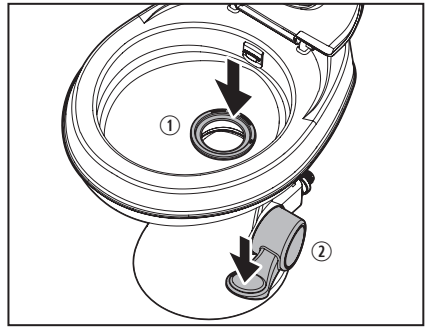
- ① Water Inlet Valve Assembly

- i** In cold climates, be sure to follow the winterizing procedure in this manual to help avoid water valve failure.

5.7 Reconditioning the Flush Ball Seal

Each toilet is factory-tested to assure a watertight seal in the toilet bowl. This quality-assurance testing process requires a device to hold the flush ball open, which may temporarily distort the flush ball seal from its original shape. As a result, it may cause the flush ball seal to leak water into the holding tank during normal use.

If you discover a water leak into the holding tank, recondition the flush ball seal into its original shape.



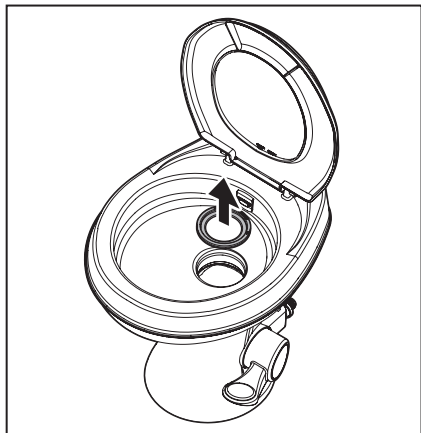
18 Reconditioning the Flush Ball Seal

- | | |
|-------------------|---------------|
| ① Flush Ball Seal | ② Flush Pedal |
|-------------------|---------------|
1. Depress the pedal to hold the flush ball open, then lightly press down around the edge of the seal with a finger to conform the seal to the flush ball.
 2. Release the pedal.
 3. Keeping the flush ball closed, pour 1 qt (0.9 L) of hot tap water into the toilet bowl.
 4. Let the water cool completely.

If the toilet does not hold water in the bowl, refer to "Troubleshooting" on page 15 before you replace the flush ball seal.

5.8 Replacing the Flush Ball Seal

Refer to the detailed replacement instructions in the flush ball seal replacement kit before removing or installing the seal.



19 Removing the Flush Ball Seal

6 Troubleshooting

Problem	Possible Cause	Suggested Remedy
Water will not stay in the bowl.	The flush ball seal is not properly positioned.	Refer to "Reconditioning the Flush Ball Seal" on page 13.
	The flush ball seal's shape is temporarily distorted.	Refer to "Reconditioning the Flush Ball Seal" on page 13.
	The flush ball or flush ball seal is dirty.	Clean and seal the flush ball. Refer to "Cleaning the Flush Ball and Seal" on page 11.
	The flush ball seal is worn or defective.	Replace the flush ball seal. To replace the flush ball seal, refer to the detailed instructions included with the flush ball seal replacement kit.
Water flow into the toilet will not stop.	The water valve is worn or defective.	Replace the water valve. Refer to "Replacing the Water Valve" on page 13.
Water does not enter the toilet bowl properly.	There is an insufficient water flow rate at the toilet inlet.	Make sure the flow rate at the toilet inlet is 3–5 gpm (11.4–18.9 lpm), which is the recommended rate.
	The screen at the water valve inlet is clogged.	Clean the screen, on the inlet side, using a cotton swab or an old toothbrush. Do not disassemble the valve.
	The water valve is worn or damaged.	Replace the water valve. Refer to "Replacing the Water Valve" on page 13.
	There are plugged rim wash holes or a plugged rim jet (300 series only) in the toilet.	Clean the rim wash holes or rim jet.
Odor emits from the toilet when the flush ball is open.	The holding tank vent is plugged.	Clear obstructions from the vent. Refer to the tank owner's manual.
	The odor is from the holding tank contents.	Add deodorant to the holding tank.

Problem	Possible Cause	Suggested Remedy
<p>Odor emits from the toilet when the flush ball is closed.</p>	<p>There is no water in the bowl.</p>	<p>Add water to the bowl. Refer to “Adding Water to the Bowl” on page 9.</p>
	<p>The flush ball seal is damaged.</p>	<p>Replace the flush ball seal. To replace the flush ball seal, refer to the detailed instructions included with the flush ball seal replacement kit.</p>
	<p>The floor flange seal is damaged.</p>	<p>Replace the floor flange seal. Refer to “Removing an Existing Toilet” on page 7 and “Installing the New Toilet” on page 8, using the existing toilet and a new seal throughout the procedures.</p>
<p>The flush ball will not close completely.</p>	<p>There is too much friction between the flush ball and the seal.</p>	<p>Clean and lubricate the flush ball and flush ball seal with silicone spray or furniture polish.</p>
<p>The flush ball will not operate properly.</p>	<p>The ball pivot arm may have become dislodged when cleaning beneath the flush ball and seal.</p>	<p>Re-engage the ball pivot arm back into the pivot point. Refer to Figure 16 for the location of the pivot point.</p>
<p>The hand sprayer leaks.</p>	<p>The hand sprayer is defective.</p>	<p>Replace the hand sprayer. Refer to the hand sprayer owner’s manual.</p>
<p>Water is leaking from the water valve.</p>	<p>The water line connection is loose or not seated properly.</p>	<p>Make sure that the threads are not cross-threaded and tighten the connection.</p>
	<p>The water valve is damaged or defective.</p>	<p>Replace the water valve. Refer to “Replacing the Water Valve” on page 13.</p>
<p>Water is leaking from the toilet base.</p>	<p>The toilet is not secured to the floor.</p>	<p>Tighten the toilet mounting bolts. Follow the steps in “Installing the New Toilet” on page 8.</p>
	<p>The floor flange seal is worn or defective.</p>	<p>Replace the floor flange seal. Refer to “Removing an Existing Toilet” on page 7 and “Installing the New Toilet” on page 8, using the existing toilet and a new seal throughout the procedures.</p>

Problem	Possible Cause	Suggested Remedy
Water is leaking from the rear of the toilet.	There is a loose vacuum breaker.	Make sure the vacuum breaker stem is pushed fully into the sealing grommet in the back of the bowl (310 and 320 series), or securely connected to the rim jet (300 series).
	The vacuum breaker is damaged or defective.	Replace the vacuum breaker. Follow the instructions provided with the new vacuum breaker.
	The supply hose is damaged or defective.	Tighten the supply hose clamps. Replace the supply hose.
	The toilet bowl is cracked or defective.	Replace the toilet.

7 Disposal



Place the packaging material in the appropriate recycling waste bins, whenever possible. Consult a local recycling center or specialist dealer for details about how to dispose of the product in accordance with all applicable national and local regulations.

8 Warranty Information

Refer to the sections below for information about warranty and warranty support in the US, Canada, and all other regions.

8.1 United States and Canada

LIMITED WARRANTY AVAILABLE AT WWW.DOMETIC.COM/WARRANTY.

IF YOU HAVE QUESTIONS, OR TO OBTAIN A COPY OF THE LIMITED WARRANTY FREE OF CHARGE, CONTACT:

DOMETIC CORPORATION
CUSTOMER SUPPORT CENTER
5155 VERDANT DRIVE
ELKHART, INDIANA 46516
1-800-544-4881 OPT 1

8.2 All Other Regions

The statutory warranty period applies. If the product is defective, please contact the manufacturer's branch in your region (see the back of the instruction manual for the websites) or your retailer.

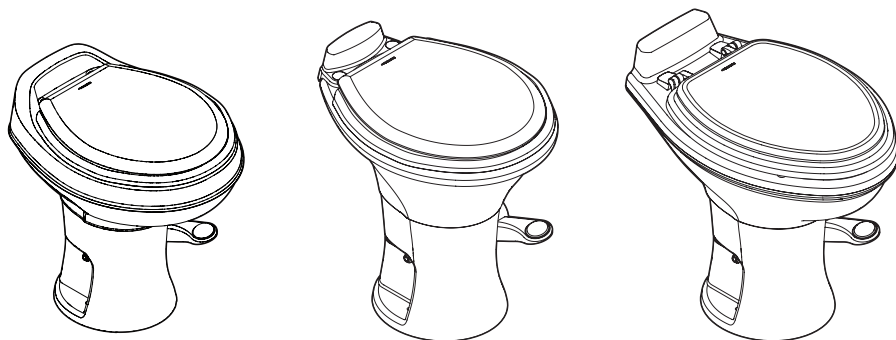
For repair and guarantee processing, please include the following documents when you send in the device:

- A copy of the receipt with purchasing date
- A reason for the claim or description of the fault

↗ DOMETIC

SANITAIRE

TOILETTES



Série 300 (300, 301), Série 310 (310, 311), Série 320 (320, 321)

FR

Toilette à chasse par gravité

Manuel d'installation et d'utilisation . . 20



AVERTISSEMENT

Cancer et effets nocifs sur la reproduction
www.P65Warnings.ca.gov

À l'attention des consommateurs : Ce produit est destiné à remplacer une toilette dans votre VR. S'il s'agit d'une nouvelle installation ou que vous prévoyez un projet plus compliqué, veuillez communiquer avec un professionnel qualifié.

Liste des centres de service et des revendeurs

Visitez : www.domestic.com

Lisez attentivement ces instructions. Ces instructions **DOIVENT** rester avec ce produit.

Sommaire

1	Explication des symboles et consignes de sécurité	20
2	Avant l'installation	21
3	Installation	25
4	Mode d'emploi	27
5	Entretien	28
6	Dépannage	33
7	Mise au rebut	35
8	Informations de garantie	35

1 Explication des symboles et consignes de sécurité

Ce manuel contient des consignes de sécurité et des instructions pour aider l'utilisateur à éliminer ou à réduire le risque d'accidents et de blessures.

1.1 Reconnaître les consignes de sécurité



C'est le symbole d'alerte à la sécurité.

Il signale des risques de blessures physiques. Obéir à tous les messages de sécurité qui suivent ce symbole pour éviter les risques de blessures ou de mort.

1.2 Comprendre les mots-indicateurs

Un mot-indicateur identifie les messages de sécurité et les messages liés aux dégâts matériels, et signale aussi le degré ou niveau de gravité du danger.



DANGER!

Indique une situation dangereuse qui, si elle n'est **pas** évitée, causera la mort ou des blessures graves.



AVERTISSEMENT

Indique une situation dangereuse qui, si elle n'est **pas** évitée, peut causer la mort ou des blessures graves.



ATTENTION

Indique une situation dangereuse qui, si elle n'est **pas** évitée, peut causer des blessures légères ou modérées.

AVIS : Utilisé pour signaler des pratiques **non** liées à une blessure physique.



Fournit des renseignements additionnels **sans** rapport avec des blessures physiques.

1.3 Directives supplémentaires

Pour réduire le risque d'accidents et de blessures, observer les directives suivantes avant de continuer à installer, utiliser ou entretenir cet appareil :

- Lire et suivre toutes les consignes de sécurité et les instructions.
- Lire et comprendre ces instructions avant l'installation, l'utilisation ou l'entretien de ce produit.
- L'installation doit se conformer à tous les codes locaux ou nationaux applicables, y compris la toute dernière édition des normes suivantes :

États-Unis

- ANSI/NFPA 70, Code national de l'électricité (CNE)
- ANSI/NFPA 1192, Code des véhicules récréatifs
- ANSI Z21.57, Code des véhicules récréatifs

Canada

- CSA C22.1, Parties I et II, Code canadien de l'électricité
- CSA Z240 RV Series, véhicules récréatifs

1.4 Sécurité personnelle et relative au produit

AVIS : Le non-respect des instructions ci-après peut entraîner un préjudice corporel et des dégâts matériels (produit et/ou biens).

- La modification de ce produit peut causer des dégâts matériels.
- Toujours fermer l'arrivée d'eau avant d'enlever, d'installer ou de réparer un appareil sanitaire.

- **Ne pas** utiliser de chlore ou de produits chimiques caustiques, tels que de l'eau de Javel ou des déboucheurs d'évier, dans le système. Ces produits abîmeront les joints des toilettes et autres robinets.
- **Ne pas** jeter de corps étrangers (essuie-tout, gobelets en papier, couches, serviettes hygiéniques, etc.) dans les toilettes.
- Les toilettes à joint mécanique sont conçues uniquement pour se vider directement dans un bac à eaux usées. Éviter les canalisations horizontales (souvent présentes dans les systèmes de plomberie résidentiels ou commerciaux conventionnels).
- La cuvette **doit** être régulièrement nettoyée et le système hivérisé conformément aux procédures décrites dans ce manuel, sous peine d'annulation de la garantie. Voir les sections "Nettoyage de routine de la toilette" à la page 29 et "Hivérisation et entreposage de la toilette" à la page 30.

2 Avant l'installation

Cette section fournit des renseignements sur le produit, notamment ses caractéristiques techniques, et vous prépare à l'installation de votre nouvelle toilette.

2.1 Indication

Les toilettes à chasse par gravité séries 300, 310 et 320 de Dometic sont conçues pour une utilisation dans des véhicules récréatifs (VR). Ces produits sont des toilettes de taille résidentielle légères qui s'installent directement au-dessus d'un bac à eaux usées.

Le fabricant n'endosse aucune responsabilité en cas de dommages dans les cas suivants :

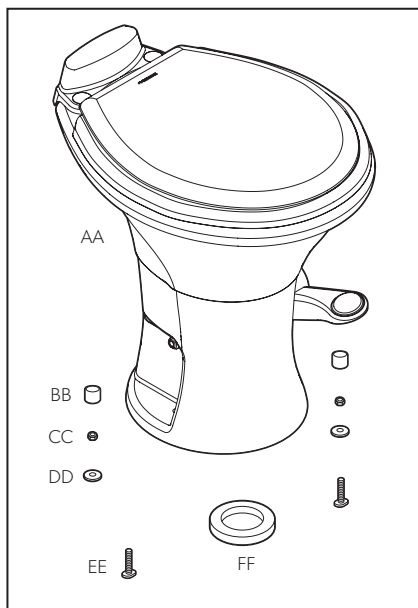
- Assemblage ou branchement incorrect
- Endommagement du produit résultant des influences mécaniques et d'une tension excessive
- Altération du produit sans la permission expresse du fabricant
- Utilisation à d'autres fins que celles décrites dans le manuel d'utilisation

Dometic Corporation se réserve le droit de modifier l'apparence et les caractéristiques techniques de l'appareil sans préavis.

i Les images sont uniquement fournies à titre de référence. Les pièces et leur emplacement peuvent varier selon le modèle. Les mesures peuvent varier de $\pm 0,38$ po (10 mm).

2.2 Contenu du paquet

Cette section montre le contenu du paquet fourni avec les modèles de toilette. Le contenu réel du paquet peut varier. Voir la liste complète des pièces (en ligne sur www.dometic.com) pour des renseignements supplémentaires.

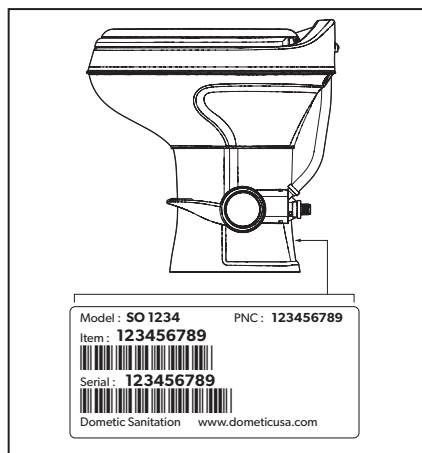


1 Contenu

- | | |
|--|---|
| (AA) Toilette assemblée | (DD) Rondelle de fixation au plancher (x2) |
| (BB) Capuchon de fixation au plancher (x2) | (EE) Boulon en T de fixation au plancher (x2) |
| (CC) Écrou de fixation au plancher (x2) | (FF) Joint de bride de plancher |

2.3 Identification du modèle

L'étiquette d'identification du modèle de toilettes se trouve sur la base de la toilette, sous le robinet d'eau. Ayez les renseignements de cette étiquette à portée de main si vous communiquez Dometic pour un entretien.



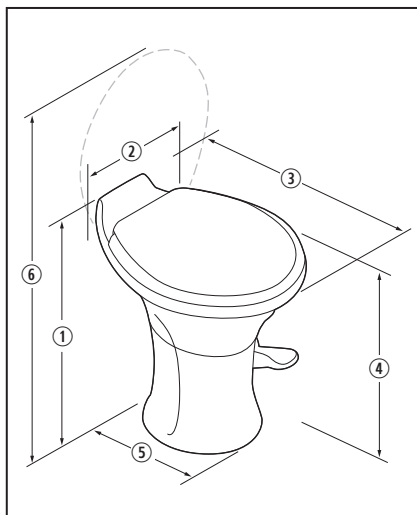
2 Emplacement de l'étiquette d'identification du modèle

2.4 Composition du produit

Cuvette de toilette	Céramique vitreuse (modèles 310, 311, 320, 321) Polypropylène (modèles 300, 301)
Siège de toilette	Polypropylène (modèles 300, 301, 310, 311) Bois émaillé (modèles 320, 321)
Joint de boule de chasse	Caoutchouc nitrile-butyle
Base de la toilette	Polypropylène
Pédale	Polypropylène
Robinet d'eau	Polypropylène
Dispositif anti-refoulement	ABS/polypropylène
Joint de plancher	Caoutchouc nitrile, mousse

2.5 Dimensions de la toilette

Cette section présente les dimensions de la toilette de hauteur standard et de la toilette basse.



3 Dimensions du produit : deux hauteurs

2.5.1 Dimensions de la toilette de hauteur standard

Légen- de	Modèle 300 po (mm)	Modèle 310 po (mm)	Modèle 320 po (mm)
①	19,75 (502)	20 (508)	19,75 (502)
②	16 (406)	15 (381)	14,75 (375)
③	19,75 (502)	19 (483)	22 (559)
④	Hauteur du siège : 18,25 (464)	Hauteur du siège : 18 (457)	Hauteur du siège : 18,25 (467)
⑤	13,25 (337)	14,75 (375)	16 (406)
⑥	Couvercle relevé : 33,5 (851)	Couvercle relevé : 33 (838)	Couvercle relevé : 35 (889)

2.5.2 Dimensions de la toilette basse

Légende	Modèle 301 po (mm)	Modèle 311 po (mm)	Modèle 321 po (mm)
①	15,5 (394)	15,25 (387)	15 (381)
②	16 (406)	15 (381)	14,75 (375)
③	19,75 (502)	19 (483)	22 (559)
④	Hauteur du siège : 14 (356)	Hauteur du siège : 13,75 (349)	Hauteur du siège : 13,5 (343)
⑤	13 (330)	14,75 (375)	15,75 (400)
⑥	Couvercle relevé : 30 (762)	Couvercle relevé : 29,5 (749)	Couvercle relevé : 31 (787)

2.6 Exigences d'installation

Ce manuel explique comment remplacer une toilette. Pour créer un nouvel emplacement pour la nouvelle toilette, communiquer avec un professionnel qualifié.

Vérifier que la toilette existante :

- Est munie d'une conduite d'arrivée d'eau flexible sortant du plancher ou du mur. Si la conduite sort du plancher, il faut utiliser un ensemble d'adaptateur de coude.
- Est attachée au plancher avec deux boulons qui sont perpendiculaires au mur arrière.
 - S'il y a quatre boulons, vous aurez besoin d'un ensemble de fixation universel dans la couleur appropriée.
 - En cas de changement d'orientation de la toilette (angle de la toilette par rapport à la pièce), utiliser un ensemble de fixation universel ou déposer la bride de plancher et en installer une neuve dans l'orientation souhaitée.
- Est parallèle au plancher. Si la bride est installée dans le faux plancher, un joint plus épais que celui fourni pourra être nécessaire.

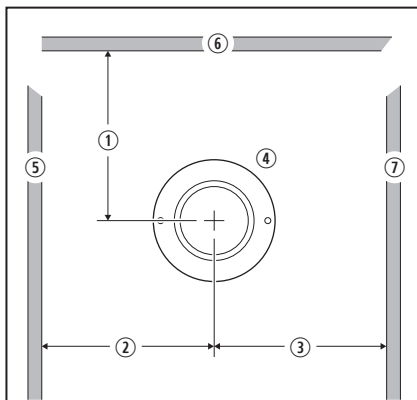
S'assurer qu'il y a assez d'espace pour la nouvelle toilette. Comparer les dimensions du modèle indiquées sous "Dimensions de la toilette" à la page 22 à celles indiquées sous "Espace minimum exigé" à la page 23. Vérifier :

- La dimension de pose préliminaire (de la ligne centrale de la bride au mur arrière)
- Le dégagement avec porte ouverte

- Que la pédale, enfoncée, touchera la même surface plane sur laquelle la toilette est installée.

i Pour une installation plus plaisante, vider le bac à eaux usées avant de commencer.

2.6.1 Espace minimum exigé



4 Dégagements exigés, y compris pour pose préliminaire

Légende	Modèles 300, 301 po (mm)	Modèles 310, 311 po (mm)	Modèles 320, 321 po (mm)
①	Modèle 300 : 8,5 (216) Modèle 301 : 8,75 (222)	10 (254)	11 (279)
②	11 (279)		
③	11 (279)		
④	Bride de plancher		
⑤	Mur gauche		
⑥	Mur arrière		
⑦	Mur droit		

2.6.2 Caractéristiques techniques requises

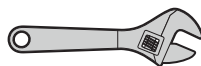
Raccord d'arrivée d'eau	0,5 po NPT
Pression d'eau statique	30-100 PSI (206,8-689,5 kPa)
Débit recommandé¹	3-5 gal/min (11,4-18,9 l/min)
Débit minimum	2 gal/min (9,5 l/min)
D.I. de bride de plancher (refoulement)	3 po (76 mm)
Épaisseur de bride de plancher (refoulement)	0,25-0,44 po (7-11 mm)

¹ Une alimentation en eau qui dépasse 5 gal/min (18,9 l/min) peut nécessiter un limiteur de débit à l'entrée de la toilette.

2.7 Outils et matériaux

Dometic recommande d'utiliser les outils et les matériaux suivants lors de l'installation du produit :

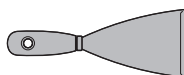
Outils et matériaux requis (non inclus)



Pince, clé ajustable ou clé dynamométrique



Petit seau

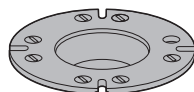


Couteau à mastic (pour retirer le joint de bride)

Matériaux en option (non inclus)



4 - Vis de bride de plancher (8 recommandées)



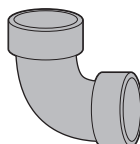
Bride de plancher (doit correspondre à celle que vous remplacez)



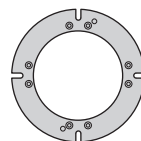
Tournevis



Mastic (si l'installation a lieu dans une zone mouillée)



Adaptateur de coude (selon la conduite d'arrivée d'eau)



Ensemble de fixation universel

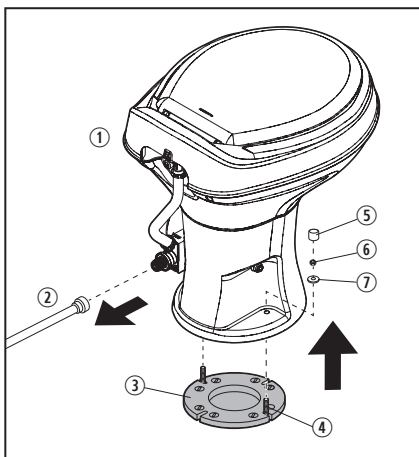
3 Installation

i Veiller à suivre les exigences d'installation énoncées dans ce manuel.

Cette section fournit les instructions pour enlever une toilette installée, remplacer la bride de plancher (si nécessaire) et installer la nouvelle toilette.

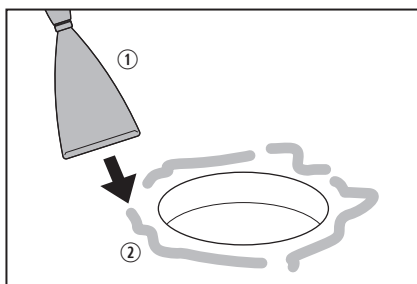
3.1 Enlever une toilette existante

Procéder comme suit pour remplacer une toilette usagée et se préparer à la nouvelle installation :



5 Enlèvement d'une toilette usagée

- | | |
|-------------------------------|----------------------------------|
| ① Toilette usagée | ⑤ Capuchon de fixation existant |
| ② Conduite d'arrivée d'eau | ⑥ Écrou de fixation existant |
| ③ Bride de plancher existante | ⑦ Rondelle de fixation existante |
| ④ Boulons en T existants | |
- Couper l'arrivée d'eau.
 - Débrancher et vidanger la conduite d'arrivée d'eau.
 - Enlever les capuchons, écrous et rondelles de fixation au plancher existants.
 - Soulever la toilette des boulons.
 - Enlever et jeter les boulons en T de fixation au plancher.



6 Retrait du mastic existant

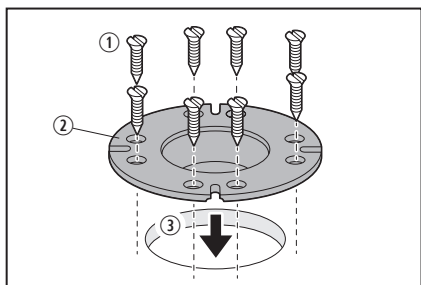
- Utiliser un couteau à mastic pour enlever et jeter le mastic usagé du plancher et de la bride de plancher.
- Évaluer la bride de plancher. Si elle est abîmée, l'enlever et en installer une nouvelle, en suivant la procédure de la section "Installation d'une nouvelle bride de sol" à la page 25.
- Si un ensemble de fixation universel doit être installé, suivre les instructions fournies avec l'ensemble.
- Vérifier que la surface supérieure de la bride de plancher est propre et exempte de tout débris ou mastic.

3.2 Installation d'une nouvelle bride de sol

i Si la bride de sol existante est utilisée, passer directement à "Installation de la nouvelle toilette" à la page 26.

i Envisager d'engager un professionnel qualifié si une bride de plancher neuve doit être installée.

- Déposer la bride de plancher existante en desserrant et jetant les vis existantes. Si la bride de plancher est collée au plancher, l'emploi d'outils additionnels pourra être nécessaire pour l'enlever.
- Avant de fixer la bride de plancher neuve, voir "Exigences d'installation" à la page 23 pour vérifier :
 - Les trous de fixation de la toilette correspondent à l'orientation que vous préférez.
 - Le centre de la bride de plancher est au minimum à la distance recommandée du mur arrière pour votre modèle de toilette.



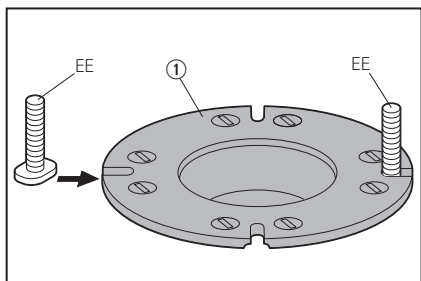
7 Installation de la bride de plancher neuve

- ① Vis ③ Trou d'évacuation
② Nouvelle bride de sol

3. Placer la nouvelle bride de sol dans le trou d'évacuation et la fixer au plancher avec quatre vis minimum (huit de préférence).

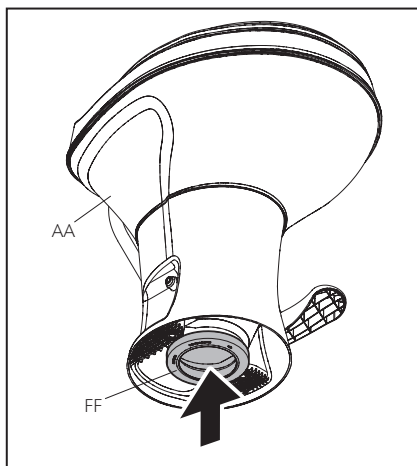
3.3 Installation de la nouvelle toilette

Procéder comme suit pour installer la nouvelle toilette :



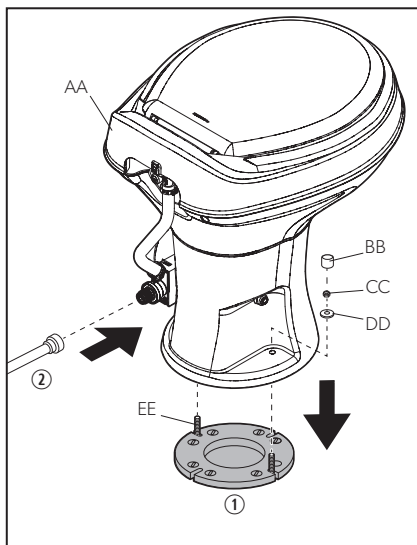
8 Insertion des boulons en T

- ① Bride de plancher
1. Insérer les nouveaux boulons en T de fixation au plancher (EE) dans les fentes de la bride de plancher.



9 Installation du joint de bride de plancher (FF)

2. Installer le nouveau joint de bride de plancher (FF) à la base de la toilette (AA). Sur certains modèles, il est déjà installé.
3. Positionner la toilette (AA) avec précaution sur la bride de plancher.



10 Fixation de la nouvelle toilette

- ① Bride de plancher ② Conduite d'arrivée d'eau
4. En abaissant la toilette (AA) sur la bride de plancher, aligner les trous à la base de la toilette sur les boulons en T de fixation au plancher (EE).

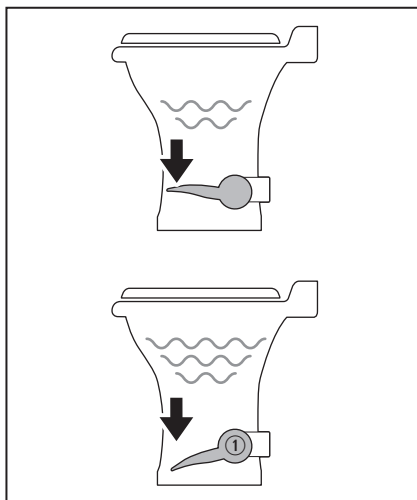
- i** S'assurer que la totalité de la conduite d'évacuation à la base de la toilette est insérée dans le trou d'évacuation de la bride de plancher pour éviter les fuites.
- i** Il est possible que la base de la toilette ne soit pas encore uniformément en appui sur le plancher. Le joint de bride de planche (FF) se comprimerà au fur et à mesure des étapes suivantes.
- Placer les nouvelles rondelles de fixation au plancher (DD), puis les nouveaux écrous de fixation au plancher (CC) sur les boulons en T de fixation au plancher (EE).
 - Serrer les écrous de fixation au sol (CC). Si une clé dynamométrique est disponible, les serrer à 30 à 40 po-lb (3,4 à 4,5 N·m). Ne pas trop serrer. Alternier entre les côtés en serrant pour éviter toute déformation. Une fois les écrous de fixation au plancher (CC) bien serrés, la base de la toilette (AA) devrait être solidement attachée et plaquée contre le plancher.
 - Monter les capuchons de fixation au plancher (BB) sur les écrous de fixation au plancher (CC).
- i** Si la toilette (AA) est installée dans une cabine de douche (ou une autre zone mouillée), appliquer un cordon de mastic sur le pourtour de la base de la toilette pour empêcher les fuites d'eau sous la base.
- Reconnecter la conduite d'arrivée d'eau et serrer le raccord à 30 à 40 po-lb (3,4 à 4,5 N·m). Ne pas trop serrer.
- i** Si la conduite d'arrivée d'eau sort du plancher, installer un adaptateur de coude de 1/2 po (13 mm).
- Ouvrir l'arrivée d'eau.
 - Tirer la chasse d'eau plusieurs fois et vérifier s'il y a des fuites. Voir "Tirage de la chasse d'eau" à la page 27.
 - Vérifier l'absence de fuites en remplissant d'eau la cuvette et en laissant reposer pendant une heure.

4 Mode d'emploi

Cette section explique comment utiliser correctement ces toilettes à chasse par gravité.

4.1 Ajout d'eau dans la cuvette

L'ajout d'eau dans une cuvette vide permet d'éviter que les odeurs des réservoirs ne pénètrent dans la pièce. Il est recommandé d'ajouter de l'eau avant de tirer la chasse d'eau pour les solides et le papier hygiénique.



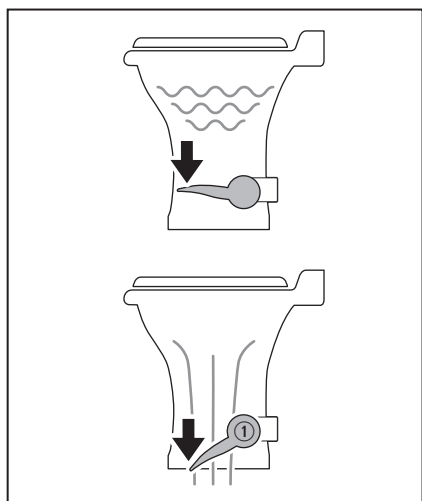
11 Pression partielle sur la pédale de chasse d'eau

① Pédale de chasse d'eau

- Pour ajouter de l'eau dans la cuvette, appuyer partiellement sur la pédale. L'eau s'écoule dans la cuvette tandis que la boule de chasse reste en position fermée.
- Si la boule de chasse bouge, relâcher légèrement la pédale.

4.2 Tirage de la chasse d'eau

AVIS : Chasser seulement de l'eau, des déchets corporels et du papier hygiénique à dissolution rapide. Ne pas chasser de corps étrangers. Ne pas chasser de lingettes humides, serviettes hygiéniques, couches, gobelets en papier, cotons-tiges, aliments, cheveux ou liquides tels qu'huiles ou solvants. Le non-respect de ces instructions peut entraîner l'obstruction ou l'endommagement de la toilette ou de son système.



12 Pression à fond sur la pédale de chasse d'eau

① Pédale de chasse d'eau

1. Pour tirer la chasse, appuyer sur la pédale jusqu'à ce qu'elle entre en contact avec le plancher.
 2. Relâcher la pédale après une chasse complète.
- Pour chasser des liquides, appuyer sur la pédale pendant 1 à 2 secondes.
 - Pour chasser des solides, appuyer sur la pédale jusqu'à ce que le contenu de la cuvette en soit évacué. L'activation de la chasse plus longtemps que nécessaire entraînera le remplissage prématuré du bac à eaux usées.

Une petite quantité d'eau s'accumulera dans la cuvette une fois la chasse tirée pour créer une fermeture étanche.

- i** Ruissellement d'eau résiduelle dans les cuvettes en céramique : Étant donné le bord intégré sur les toilettes modèles 310, 311, 320 et 321, il est possible que de l'eau continue à ruisseler dans la cuvette pendant 20 minutes après avoir tiré la chasse. Si le ruissellement d'eau continue après 30 minutes, remplacer le robinet d'eau. Voir "Remplacement du robinet d'eau" à la page 31.

Pour que les odeurs du bac à eaux usées n'entrent pas dans l'espace de vie, s'assurer qu'il reste 1 po (24 mm) d'eau dans la cuvette. Selon le système de plomberie et l'utilisation, l'ajout d'eau pourra être requis pour obtenir cette hauteur d'eau. Voir "Ajout d'eau dans la cuvette" à la page 27.

5 Entretien

Un nettoyage, une hivernisation et un entretien adéquat de la toilette prolongeront sa durée de vie.

AVIS : Si cette toilette a besoin d'un entretien, lire les déclarations suivantes avant de faire réparer le produit. Le non-respect de ces consignes risque d'endommager le produit et entraîner **l'annulation de la garantie** :

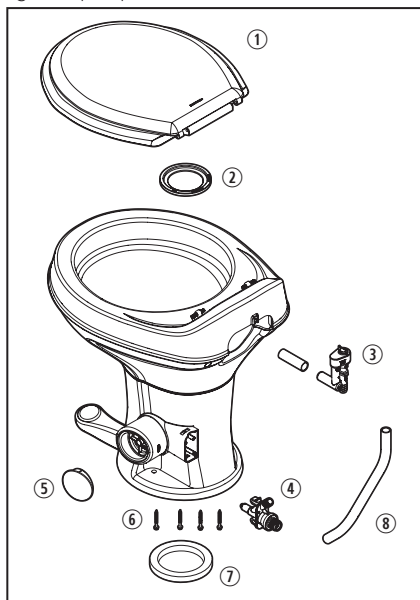
- **Ne pas** séparer la cuvette en céramique de la base en plastique. Contrairement aux autres toilettes Dometic à pédale, la cuvette et la base des toilettes de séries 300, 310 et 320 ne doivent **jamais** être séparées.
- **Ne pas** déposer la pédale de la base. Cette toilette a un assemblage cuvette-base scellé à l'usine.
- **Ne pas** démonter les composants.
- Se référer aux instructions dans ce manuel et dans l'ensemble de rechange pour toute information de maintenance et de réparation.

La toilette n'a **pas** besoin d'être déposée du véhicule (ou détachée du plancher) pour les réparations de base, comme le remplacement du joint de la boule de chasse et du robinet d'eau.

Pour tout appel à Dometic pour assistance, avoir en main le numéro de modèle exact. Voir "Identification du modèle" à la page 22.

5.1 Pièces détachées

Cette section présente les pièces détachées correspondant aux modèles de toilette. Les pièces réellement disponibles peuvent varier. Voir la liste complète des pièces (en ligne sur www.dometic.com) pour des renseignements supplémentaires. Pour commander des pièces, contacter le revendeur Dometic ou le réparateur agréé le plus proche.



13 Pièces détachées de la série 300

- | | |
|-------------------------------|---------------------------------|
| ① Siège | ⑤ Couvre-pédale |
| ② Joint de la boule de chasse | ⑥ Boulons en T |
| ③ Dispositif anti-refoulement | ⑦ Joint de bride de plancher |
| ④ Robinet d'eau | ⑧ Tuyau flexible d'alimentation |

5.2 Ensemble et matériel de maintenance

Ces ensembles sont disponibles à l'achat :

- Ensemble de rechange de robinet d'eau séries 300/310/320
- Ensemble de rechange de joint de la boule de chasse
- Ensemble de dispositif anti-refoulement

Recommandés pour le nettoyage :

- Nettoyant de cuvette de toilette SeaLand®
- Brosse à soies souples
- Alcool à friction (300/301 seulement)

Recommandé pour l'hiverisation et l'entreposage :

- Antigel non toxique (propylène glycol)

Facultatifs pour dépannage :

- Désodorisant de bac à eaux usées Sealand
- Vaporisateur de silicone

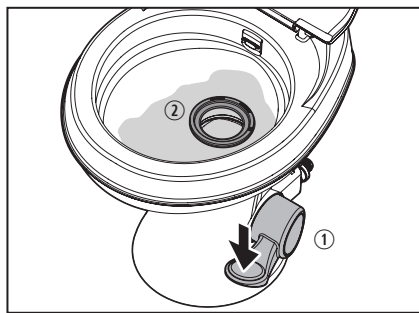
5.3 Nettoyage de routine de la toilette

Pour un nettoyage de routine, utiliser un nettoyant de cuvette de toilette SeaLand. Si ce nettoyant est introuvable dans votre région, contacter Dometic pour connaître le revendeur le plus proche. Si le nettoyant n'est pas disponible, utiliser un nettoyant non abrasif pour salle de bain et cuvette de toilette. Suivre les instructions de l'étiquette.

Pour les taches tenaces dans les cuvettes de toilettes modèles 300 et 301, utiliser de l'alcool à friction pour essuyer et enlever la tache.

5.4 Nettoyage de la boule de chasse et du joint

Avec le temps, des dépôts minéraux de l'eau calcaire peuvent s'accumuler sur la boule de chasse ou le joint, causant une fuite d'eau lente. Pour empêcher ceci, nettoyer périodiquement la boule de chasse et le joint.



14 Nettoyage du joint de la boule de chasse

- ① Joint de la boule de chasse ② Pédale de chasse d'eau
1. Enlever les salissures légères de la boule de chasse et du joint en appuyant légèrement et relâchant plusieurs fois la pédale de chasse. Ceci permettra de décoller et d'évacuer les salissures des surfaces. Répéter plusieurs fois pour les salissures tenaces.
 2. Si l'étape 1 ne nettoie pas entièrement la boule et le joint, nettoyer avec une brosse à soies souples et le nettoyant de cuvette de toilette SeaLand.
 - Nettoyer entièrement le dessus de la boule de chasse et sous le joint, au point de contact avec la boule de chasse.

- Après avoir nettoyé le dessous du joint, appuyer légèrement sur le dessus du joint en brossant sur le périmètre complet du joint.

i Si le bras pivotant de la boule se déloge en nettoyant l'intérieur de la base sous la boule de chasse et le joint, le réenclencher dans le point de pivot. Voir l'emplacement du point de pivot à la figure 16.

i Si cette procédure ne corrige pas un joint qui fuit, il faudra peut-être remplacer celui-ci. Les instructions détaillées de remplacement sont incluses dans les ensembles de joint de boule de chasse de rechange.

5.5 Hivérissation et entreposage de la toilette

⚠ AVERTISSEMENT : RISQUE D'EMPOISONNEMENT.

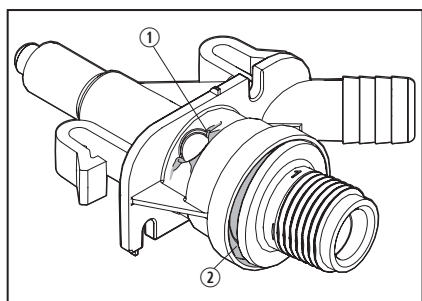
Ne pas utiliser d'antigel de type automobile (éthylène glycol) dans les systèmes d'eau douce. Le non-respect de cet avertissement pourrait entraîner de graves blessures, voire la mort :

⚠ ATTENTION : RISQUE DE PRÉJUDICE CORPOREL.

Cette toilette n'est **pas** destinée à être utilisée lorsqu'elle est exposée à des températures inférieures au point de congélation. Le non-respect de cette mise en garde pourrait entraîner des blessures légères ou modérées.

AVIS : La garantie de la toilette exclut expressément une couverture pour tous les dommages subis par la toilette ou le véhicule pouvant être causés par une hivérissation inappropriée de la toilette. Les dégâts causés par le gel causant des fuites du robinet d'eau indiquent une hivérissation inappropriée.

5.5.1 Prévention du gel du robinet d'eau



15 Identification d'un robinet d'eau abîmé

- ① Dommages causés par le gel ② Dommages au robinet d'eau

Ces robinets d'eau de toilette dépassent les normes applicables pour une pression d'eau maximum, comme défini par les agences nord-américaines du code de la plomberie. Toutefois, si de l'eau piégée gèle dans la tuyauterie qui alimente la toilette en eau, elle se dilatera et créera une pression extrêmement élevée susceptible d'abîmer le robinet.

Si la fenêtre d'indication de dommages causés par le gel (1) porte des marques de contraintes blanches, ceci indique des dégâts causés par le gel. Les dégâts au robinet d'eau sont dus à une exposition sévère à des températures au-dessous de zéro.

Pour éviter les dégâts, hivérissier la toilette comme décrit dans ce manuel. Si des dégâts causés par le gel en raison d'une hivérissation incorrecte, remplacer le robinet d'eau par un ensemble de robinet d'eau de toilette série 300/310/320.

Si le robinet d'eau est retourné pour une réclamation au titre de la garantie, Dometic se réserve le droit de refuser la réclamation si le problème est causé par le gel.

i Utiliser un antigel non toxique (propylène glycol) conçu pour les systèmes d'eau potable (voir le manuel du propriétaire du véhicule).

Lorsqu'une toilette peut être exposée à des températures au-dessous de zéro, la toilette doit être hivérissée en suivant la "Méthode d'hivérissation avec un antigel non toxique" à la page 30 ou la "Méthode de vidange d'eau de la toilette" à la page 31. Lorsqu'une toilette est entreposée pendant de longues périodes ou que l'eau stagne, purger le système en suivant la "Méthode de vidange d'eau de la toilette" à la page 31.

5.5.2 Méthode d'hivérissation avec un antigel non toxique

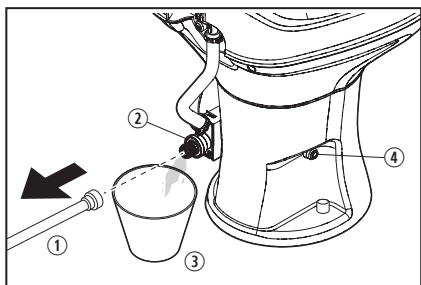
i Il s'agit de la méthode recommandée.

1. Verser de l'antigel non toxique dans le réservoir d'eau potable en suivant les instructions du fabricant de l'antigel.
2. Tirer plusieurs fois la chasse jusqu'à ce que l'antigel ait complètement circulé dans la toilette.

i Pour les toilettes munies d'une douchette, la douchette doit être en marche pour permettre à l'antigel de la traverser.

5.5.3 Méthode de vidange d'eau de la toilette

1. Fermer l'arrivée d'eau à la cuvette de toilette.



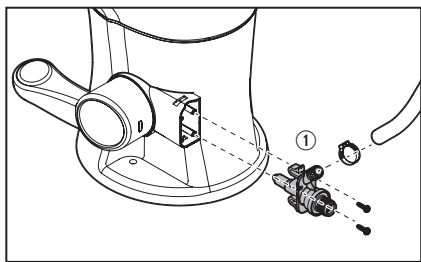
16 Retirer l'arrivée d'eau

- ① Conduite d'arrivée d'eau
 - ② Robinet d'arrivée d'eau
 - ③ Petit seau
 - ④ Point de pivot pour le bras pivotant de la boule
2. Déposer la conduite d'arrivée d'eau du robinet d'eau.
 3. Placer un petit seau sous l'arrivée du robinet d'eau pour attraper l'eau qui s'écoule.
 4. Appuyer sur la pédale de chasse et laisser toute l'eau s'écouler du robinet d'eau et du dispositif anti-refoulement.
 5. Laisser la conduite d'eau débranchée jusqu'à ce que la menace de gel soit passée.

AVIS : Lorsqu'il existe un risque de gel, **ne pas** laisser le VR inoccupé pendant de longues périodes alors qu'il est raccordé au réseau d'eau municipal ou que la pompe à eau de bord est activée.

5.6 Remplacement du robinet d'eau

Se référer aux instructions de remplacement détaillées dans l'assemblage de robinet d'eau de rechange avant d'enlever ou d'installer un robinet d'eau.



17 Enlever l'assemblage du robinet d'eau

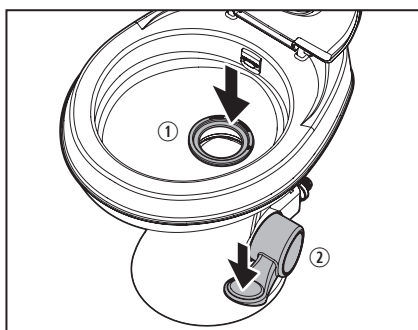
- ① Assemblage du robinet d'arrivée d'eau

i Dans des climats froids, veiller à suivre la procédure d'hivernisation de ce manuel pour éviter la défaillance du robinet d'eau.

5.7 Reconditionnement du joint de la boule de chasse

Chaque toilette est testée à l'usine pour garantir un joint étanche dans la cuvette. Ce processus de test d'assurance qualité exige le maintien de la boule de chasse en position ouverte avec un dispositif, ce qui risque de déformer temporairement le joint de la boule de chasse. En conséquence, ceci peut causer une fuite d'eau par le joint dans le bac à eaux usées en cours d'utilisation normale.

Si une fuite d'eau se déversant dans le bac à eaux usées est détectée, reconditionner le joint de la boule de chasse pour lui redonner sa forme initiale.



18 Reconditionnement du joint de la boule de chasse

- ① Joint de la boule de chasse
 - ② Pédale de chasse d'eau
1. Appuyer sur la pédale pour maintenir la boule de chasse en position ouverte, puis appuyer légèrement sur le bord du joint avec le doigt pour conformer le joint à la boule de chasse.
 2. Relâcher la pédale.
 3. En maintenant la boule de chasse en position fermée, verser 1 pte (0,9 l) d'eau chaude du robinet dans la cuvette de la toilette.
 4. Laisser l'eau refroidir complètement.

Si la toilette ne retient pas l'eau dans la cuvette, voir "Dépannage" à la page 33 avant de remplacer le joint de la boule de chasse.

5.8 Remplacement du joint de boule de chasse de chasse

Voir les instructions détaillées de remplacement dans l'ensemble de rechange du joint de la boule de chasse avant d'enlever ou d'installer le joint.



19 Enlever le joint de boule de chasse

6 Dépannage

Problème	Cause possible	Solution suggérée
L'eau ne reste pas dans la cuvette.	Le joint de la boule de chasse est mal positionné.	Voir "Reconditionnement du joint de la boule de chasse" à la page 31.
	Le joint de la boule de chasse est temporairement déformé.	Voir "Reconditionnement du joint de la boule de chasse" à la page 31.
	La boule de chasse ou le joint est sale.	Nettoyer la boule de chasse et le joint. Voir "Nettoyage de la boule de chasse et du joint" à la page 29.
	Le joint de la boule de chasse est usé ou défectueux.	Remplacer le joint de la boule de chasse. Pour remplacer le joint de la boule de chasse, voir les instructions détaillées fournies avec l'ensemble du joint de boule de chasse de rechange.
L'écoulement d'eau dans la cuvette ne s'arrête pas.	Le robinet d'eau est usé ou défectueux.	Remplacer le robinet d'eau. Voir "Remplacement du robinet d'eau" à la page 31.
L'eau n'entre pas correctement dans la cuvette.	Débit d'eau insuffisant à l'arrivée de la toilette.	S'assurer que le débit à l'arrivée de la toilette est de 3 à 5 gal/min (11,4 à 18,9 l/min), la plage recommandée.
	Le tamis à l'arrivée du robinet d'eau est bouché.	Nettoyer le tamis, côté arrivée, avec un coton-tige ou une brosse à dents usagée. Ne pas démonter le robinet.
	Le robinet d'eau est usé ou abîmé.	Remplacer le robinet d'eau. Voir "Remplacement du robinet d'eau" à la page 31.
	Des trous de lavage du bord ou un jet du bord de la cuvette (série 300 seulement) sont bouchés.	Nettoyer les trous de lavage ou le jet.
Une odeur émane de la toilette lorsque la boule de chasse est en position ouverte.	L'évent du bac à eaux usées est bouché.	Dégager l'évent. Voir le manuel d'utilisation du bac à eaux usées.
	L'odeur provient du contenu du bac à eaux usées.	Ajouter du désodorisant dans le bac à eaux usées.

Problème	Cause possible	Solution suggérée
Une odeur émane de la toilette lorsque la boule de chasse est en position fermée.	Il n'y a pas d'eau dans la cuvette.	Ajouter de l'eau dans la cuvette. Voir "Ajout d'eau dans la cuvette" à la page 27.
	Le joint de la boule de chasse est abîmé.	Remplacer le joint de la boule de chasse. Pour remplacer le joint de la boule de chasse, voir les instructions détaillées fournies avec l'ensemble du joint de boule de chasse de rechange.
	Le joint de la bride de plancher est abîmé.	Remplacer le joint de la bride de plancher. Voir "Enlever une toilette existante" à la page 25 et "Installation de la nouvelle toilette" à la page 26, en utilisant la toilette existante et un nouveau joint tout au long des procédures.
La boule de chasse ne se ferme pas complètement.	Il y a trop de friction entre la boule de chasse et le joint.	Nettoyer et lubrifier la boule de chasse et le joint avec un vaporisateur de silicone ou de l'encaustique pour meubles.
La boule de chasse ne fonctionne pas correctement.	Le bras pivotant de la boule s'est peut-être délogé en nettoyant sous la boule de chasse et le joint.	Réenclencher le bras pivotant de la boule au point de pivot. Voir l'emplacement du point de pivot à la figure 16.
La douchette fuit.	La douchette est défectueuse.	Remplacer la douchette. Voir le manuel d'utilisation de la douchette.
Fuite du robinet d'eau.	Le raccord de la conduite d'eau est desserré ou mal installé.	S'assurer que les filets ne sont pas faussés et resserrer le raccord.
	Le robinet d'eau est abîmé ou défectueux.	Remplacer le robinet d'eau. Voir "Remplacement du robinet d'eau" à la page 31.
Fuite d'eau de la base de la toilette.	La toilette n'est pas fixée au plancher.	Serrer les boulons de fixation de la toilette. Suivre la procédure de la section "Installation de la nouvelle toilette" à la page 26.
	Le joint de la bride de plancher est usé ou défectueux.	Remplacer le joint de la bride de plancher. Voir "Enlever une toilette existante" à la page 25 et "Installation de la nouvelle toilette" à la page 26, en utilisant la toilette existante et un nouveau joint tout au long des procédures.

Problème	Cause possible	Solution suggérée
Fuite d'eau à l'arrière de la toilette.	Le dispositif anti-refoulement est desserré.	S'assurer que la tige du dispositif anti-refoulement est poussée à fond dans l'œillet d'étanchéité à l'arrière de la cuvette (séries 310 et 320) ou solidement raccordée au jet du bord (série 300).
	Le dispositif anti-refoulement est abîmé ou défectueux.	Remplacer le dispositif anti-refoulement. Suivre les instructions fournies avec le nouveau dispositif anti-refoulement.
	Le tuyau d'arrivée d'eau est abîmé ou défectueux.	Resserrer les colliers de serrage du tuyau d'arrivée d'eau. Remplacer le tuyau d'arrivée d'eau.
	La cuvette est fissurée ou défectueuse.	Remplacer la toilette.

7 Mise au rebut



Placer les matériaux d'emballage dans les bacs de recyclage appropriés, si possible. Consulter un centre de recyclage local ou un revendeur spécialisé pour en savoir plus sur l'élimination du produit conformément à toutes les réglementations nationales et locales applicables.

8 Informations de garantie

Voir les sections ci-dessus pour des renseignements sur la garantie et l'assistance sous garantie aux États-Unis, au Canada et dans toutes les autres régions.

8.1 États-Unis et Canada

GARANTIE LIMITÉE DISPONIBLE À
WWW.DOMETIC.COM/WARRANTY.

POUR TOUTE QUESTION OU POUR OBTENIR
UNE COPIE GRATUITE DE LA GARANTIE
LIMITÉE, CONTACTER :

DOMETIC CORPORATION
CUSTOMER SUPPORT CENTER
5155 VERDANT DRIVE
ELKHART, INDIANA, 46516
1 800 544-4881 OPT 1

8.2 Toutes les autres régions

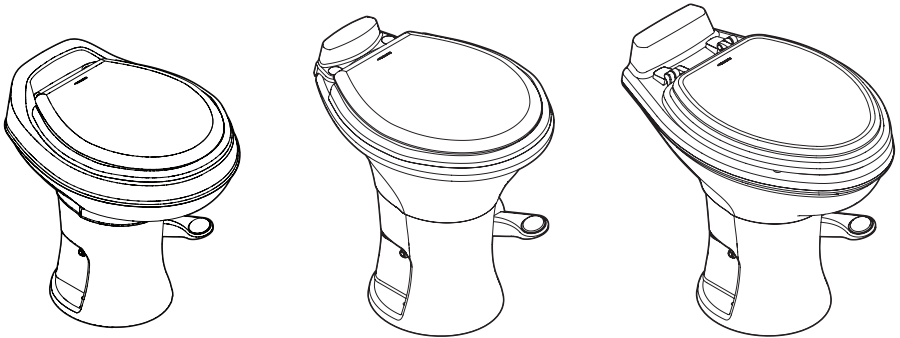
La période de la garantie légale est applicable. En cas de défaillance du produit, veuillez contacter la filiale du fabricant dans votre région (voir les sites Web au dos du mode d'emploi) ou votre revendeur.

Pour le traitement des réparations ou de la garantie, veuillez inclure les documents suivants lors de l'envoi de l'appareil :

- Une copie du justificatif d'achat comprenant la date de l'achat.
- Une explication de la demande ou une description de la défaillance.

↗ DOMETIC

SANITARIOS INODOROS



Serie 300 (300, 301), Serie 310 (310, 311), Serie 320 (320, 321)

ES

Inodoro con descarga por gravedad

Manual de instalación y funcionamiento . . 38



ADVERTENCIA

Cáncer y daños reproductivos
www.P65Warnings.ca.gov

Atención consumidores: Este producto está previsto para reemplazar a un inodoro existente en su vehículo recreativo. Si va a crear una instalación nueva o planifica un proyecto más complicado, comuníquese con un profesional cualificado.

Centros de servicio y ubicación de los distribuidores

Visite: www.dometic.com

Lea estas instrucciones detenidamente.

Estas instrucciones **DEBEN** permanecer con este producto.

Índice

1	Explicación de los símbolos e instrucciones de seguridad	38
2	Antes de la instalación	39
3	Instalación	43
4	Funcionamiento.....	45
5	Mantenimiento	46
6	Resolución de problemas	51
7	Eliminación.....	53
8	Información de la garantía	53

1 Explicación de los símbolos e instrucciones de seguridad

Este manual contiene información e instrucciones de seguridad para ayudarle a eliminar o reducir el riesgo de accidentes y lesiones.

1.1 Reconozca la información de seguridad



Este es el símbolo de alerta de seguridad. Se usa para alertarle sobre posibles peligros de lesiones físicas. Obedezca todos los mensajes de seguridad que siguen a este símbolo para evitar posibles lesiones o la muerte.

1.2 Comprenda las palabras de señalización

Una palabra de señalización identificará los mensajes de seguridad y de daños materiales, e indicará el grado o nivel de gravedad del peligro.



¡PELIGRO!

Indica una situación peligrosa que, si **no** se evita, provocará la muerte o lesiones graves.



ADVERTENCIA

Indica una situación peligrosa que, si **no** se evita, podría provocar la muerte o lesiones graves.



PRECAUCIÓN

Indica una situación peligrosa que, si **no** se evita, podría provocar lesiones leves o moderadas.

AVISO: Se utiliza para abordar prácticas **no** relacionadas con lesiones físicas.



Indica información adicional que **no** está relacionada con una lesión física.

1.3 Directivas complementarias

Para reducir el riesgo de accidentes y lesiones, tenga en cuenta las pautas siguientes antes de proceder con la instalación, funcionamiento o servicio de este producto:

- Lea y siga todas las instrucciones y la información de seguridad.
- Lea y comprenda estas instrucciones antes de instalar, operar o dar servicio a este producto.
- La instalación debe cumplir con todos los códigos locales o nacionales aplicables, incluida la última edición de las siguientes normas:

EE. UU.

- ANSI/NFPA70, National Electrical Code (NEC)
- ANSI/NFPA 1192, Recreational Vehicles Code
- ANSI Z21.57, Recreational Vehicles Code

Canadá

- CSA C22.1, Parts I & II, Canadian Electrical Code
- CSA Z240 RV Series, Recreational Vehicles

1.4 Seguridad personal y del producto

AVISO: No cumplir con las instrucciones de las siguientes indicaciones puede causar lesiones personales, daños al producto y/o a la propiedad.

- Modificar este producto puede causar daños a la propiedad.
- Siempre cierre el suministro de agua antes de quitar, instalar o reparar un accesorio de plomería.

- **No** use cloro o sustancias químicas cáusticas, como blanqueador de lavado o productos destapa-cañerías, en el sistema. Estos productos dañan los sellos de los inodoros y otras válvulas de plomería.
- **No** descargue objetos extraños (toallas de papel, vasos de cartón, pañales, toallas sanitarias, etc.).
- Los inodoros de sello mecánico están diseñados para descargar solo directamente a un tanque de retención. Evite tuberías horizontales (que se suelen encontrar en sistemas de plomería comerciales o residenciales convencionales).
- La cuba del inodoro **debe** limpiarse con frecuencia y el sistema se debe preparar para el invierno conforme a los procedimientos de este manual. De lo contrario se podría anular la cobertura de la garantía. Consulte "Realizar una limpieza rutinaria del inodoro" en la página 47 y "Preparar el inodoro para el invierno y almacenarlo" en la página 48.

2 Antes de la instalación

Esta sección proporciona información sobre el producto, incluidas las especificaciones, y lo ayuda a instalar su inodoro nuevo.

2.1 Uso previsto

Los inodoros con descarga por gravedad de Dometic de la Serie 300, 310 y 320 están diseñados para ser utilizados dentro de un vehículo recreativo (RV). Estos productos son inodoros ligeros de tamaño residencial para instalar directamente sobre un tanque de retención.

El fabricante no acepta responsabilidad por daños en los siguientes casos:

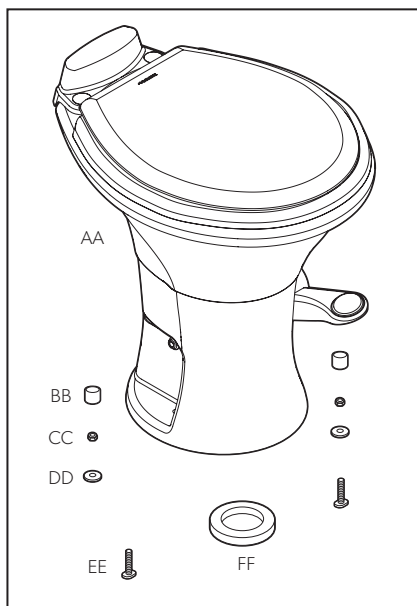
- Montaje o conexión defectuosos
- Daño al producto como resultado de influencias mecánicas y exceso de voltaje
- Alteraciones al producto sin el permiso expreso del fabricante
- Uso con fines distintos a los descritos en el manual de instrucciones

Dometic Corporation se reserva el derecho de modificar los diseños y especificaciones sin previo aviso.

i Las imágenes solo se usan como referencia. Las piezas y sus ubicaciones pueden variar según los modelos específicos de los productos. Las medidas pueden variar en $\pm 0,38$ pulg. (10 mm).

2.2 Contenido del paquete

Esta sección muestra el contenido del paquete que se proporciona con los modelos del inodoro. El contenido real puede variar. Consulte la lista completa de piezas (disponible en línea en www.dometic.com) para obtener información adicional.

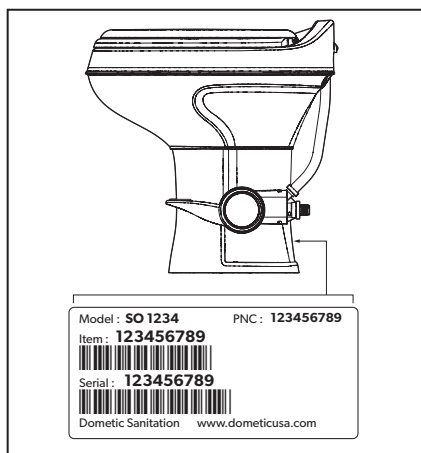


1 Contenido

- | | |
|---------------------------------------|---------------------------------------|
| (AA) Inodoro ensamblado | (DD) Arandela de montaje al piso (x2) |
| (BB) Capuchón de montaje al piso (x2) | (EE) Perno T de montaje al piso (x2) |
| (CC) Tuerca de montaje al piso (x2) | (FF) Sello de la brida de piso |

2.3 Identificación del modelo

La etiqueta de identificación del modelo de inodoro se encuentra en la base del inodoro debajo de la válvula de agua. Tenga la información de esta etiqueta lista si se comunica con Dometic para obtener servicio.



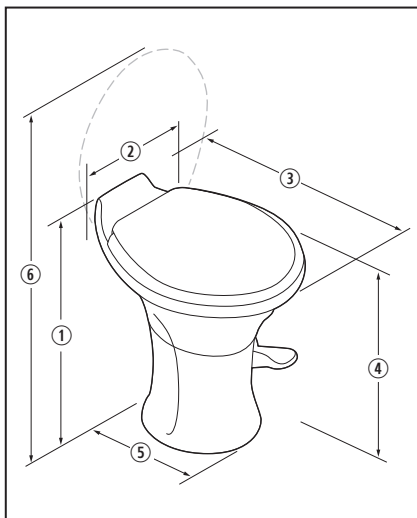
- 2** Ubicación de la etiqueta de identificación del modelo

2.4 Composición del producto

Cuba del inodoro	Cerámica vítrea (modelos 310, 311, 320, 321) Polipropileno (modelos 300, 301)
Asiento del inodoro	Polipropileno (modelos 300, 301, 310, 311) Madera esmaltada (modelos 320, 321)
Sello de la bola de descarga	Goma de butilo nitrilo
Base del inodoro	Polipropileno
Pedal	Polipropileno
Válvula de agua	Polipropileno
Interruptor de vacío	ABS/polipropileno
Sello de piso	Goma de nitrilo, espuma

2.5 Dimensiones del inodoro

Esta sección proporciona las dimensiones del producto para los modelos de inodoro de altura estándar y de perfil bajo.



- 3** Dimensiones del producto: ambas alturas

2.5.1 Dimensiones del inodoro de altura estándar

Ref	Modelo 300 Pulg. (mm)	Modelo 310 Pulg. (mm)	Modelo 320 Pulg. (mm)
①	19.75 (502)	20 (508)	19.75 (502)
②	16 (406)	15 (381)	14.75 (375)
③	19.75 (502)	19 (483)	22 (559)
④	Altura del asiento: 18.25 (464)	Altura del asiento: 18 (457)	Altura del asiento: 18.25 (467)
⑤	13.25 (337)	14.75 (375)	16 (406)
⑥	Tapa del asiento levantada: 33.5 (851)	Tapa del asiento levantada: 33 (838)	Tapa del asiento levantada: 35 (889)

2.5.2 Dimensiones del inodoro de perfil bajo

Ref	Modelo 301 Pulg. (mm)	Modelo 311 Pulg. (mm)	Modelo 321 Pulg. (mm)
①	15.5 (394)	15.25 (387)	15 (381)
②	16 (406)	15 (381)	14.75 (375)
③	19.75 (502)	19 (483)	22 (559)
④	Altura del asiento: 14 (356)	Altura del asiento: 13.75 (349)	Altura del asiento: 13.5 (343)
⑤	13 (330)	14.75 (375)	15.75 (400)
⑥	Tapa del asiento levantada: 30 (762)	Tapa del asiento levantada: 29.5 (749)	Tapa del asiento levantada: 31 (787)

2.6 Requisitos de instalación

Este manual lo ayudará a reemplazar un inodoro actual. Para crear una ubicación nueva para su inodoro, comuníquese con un profesional cualificado.

Verifique que el inodoro actual:

- Tenga una línea de suministro de agua flexible que salga por el piso o la pared. Si la línea sale del piso, necesitará un kit adaptador de codo.
- Esté fijado al piso con dos pernos perpendiculares a la pared trasera.
 - Si hay cuatro pernos, necesitará un kit de montaje universal, del color adecuado.
 - Si va a cambiar la orientación del inodoro (el ángulo del inodoro respecto de la habitación), puede usar un kit de montaje universal o quitar la brida de piso e instalar uno nuevo con la orientación preferida.
- Esté nivelado con el piso. Si la brida se instala en el subsuelo, puede necesitar un sello más alto que el suministrado.

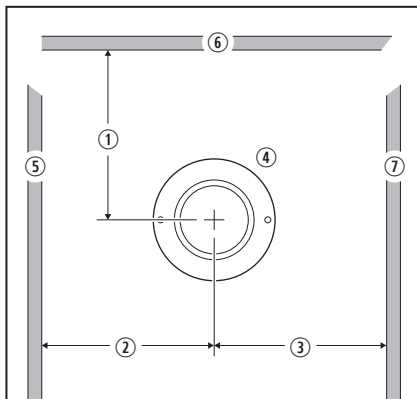
Asegúrese de que hay suficiente presión de refrigerante. Compare las dimensiones del modelo indicadas en "Dimensiones del inodoro" en la página 40 con las medidas en "Requisitos mínimos de espacio" en la página 41. Verifique:

- El tamaño de la instalación (desde el centro de la brida hasta la pared trasera)
- El espacio libre para la apertura de la puerta

- Que el pedal, cuando lo presione, toque la misma superficie plana sobre la cual está instalado el inodoro.

i Para facilitar la instalación, vacíe el tanque de retención antes de comenzar.

2.6.1 Requisitos mínimos de espacio



4 Espacios libres requeridos, incluida la instalación

Ref	Modelos 300, 301 Pulg. (mm)	Modelos 310, 311 Pulg. (mm)	Modelos 320, 321 Pulg. (mm)
①	Modelo 300: 8.5 (216)	10 (254)	11 (279)
	Modelo 301: 8.75 (222)		
②	11 (279)		
③	11 (279)		
④	Brida de piso		
⑤	Pared izquierda		
⑥	Pared trasera		
⑦	Pared derecha		

2.6.2 Especificaciones requeridas

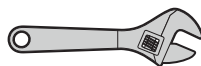
Accesorio de suministro de agua	0.5 pulg. NPT
Presión estática del agua	30–100 PSI (206.8–689.5 kPa)
Caudal recomendado¹	3–5 gpm (11.4–18.9 lpm)
Caudal mínimo	2 gpm (9.5 lpm)
Identificación de la brida de piso de descarga	3 pulg. (76 mm)
Grosor de la brida de piso de descarga	0.25–0.44 pulg. (7–11 mm)

¹ Un suministro de agua que exceda 5.0 gpm (18.9 lpm) puede requerir un limitador de caudal en la entrada del inodoro.

2.7 Herramientas y materiales

Dometic recomienda las herramientas y materiales siguientes para instalar el producto:

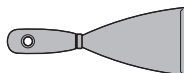
Herramientas y materiales requeridos (No incluidos)



Alicates, llave ajustable o llave dinamométrica



Cubo pequeño

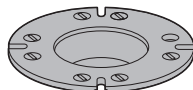


Espátula (para quitar el sello de la brida)

Materiales opcionales (No incluidos)



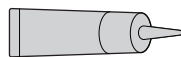
4 - Tornillos de brida de piso (de preferencia 8)



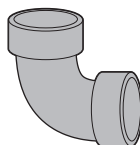
Brida de piso (debe coincidir con la que reemplazará)



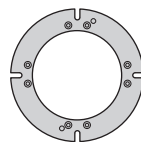
Destornillador



Sellador (si se instala en un área húmeda)



Adaptador de codo (depende de la línea de suministro de agua)



Kit de montaje universal

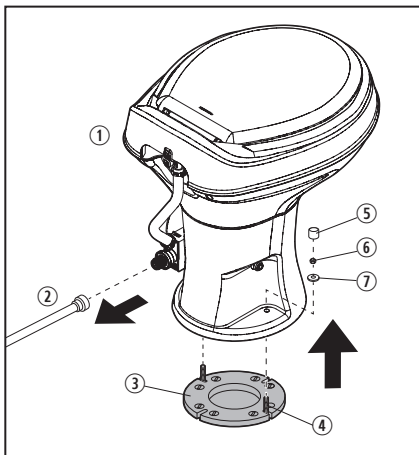
3 Instalación

i Asegúrese de seguir los requisitos recomendados de instalación de este manual.

Esta sección proporciona información para desmontar un inodoro instalado, reemplazar la brida de piso (de ser necesario) e instalar el inodoro nuevo.

3.1 Desmontaje del inodoro instalado

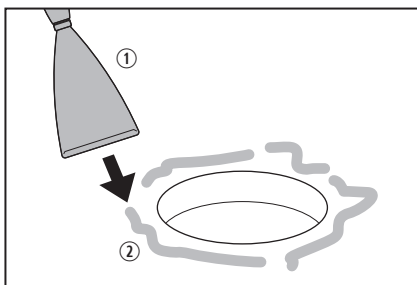
Siga estos pasos para reemplazar un inodoro antiguo y preparar la instalación del nuevo:



5 Desmontaje del inodoro antiguo

- | | |
|-------------------------------|---------------------------------|
| ① Inodoro antiguo | ⑤ Capuchón de montaje existente |
| ② Línea de suministro de agua | ⑥ Tuerca de montaje existente |
| ③ Brida de piso existente | ⑦ Arandela de montaje existente |
| ④ Pernos T existentes | |

1. Cierre el suministro de agua.
2. Desconecte y drene la línea de suministro de agua.
3. Quite los capuchones de montaje de piso, las tuercas de montaje de piso y las arandelas de montaje de piso.
4. Levante el inodoro de los pernos.
5. Quite y deseche los pernos T de montaje.



6 Extracción del material de sellado existente

- ① Espátula ② Material de sellado antiguo

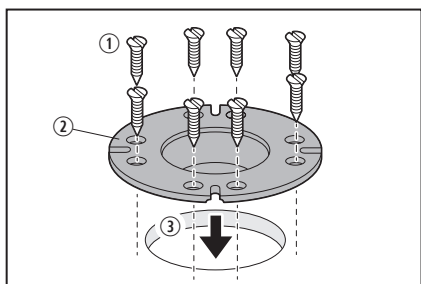
6. Use una espátula para quitar y desechar el material de sellado existente del piso y de la brida de piso.
7. Evalúe la brida de piso. Si está dañada, quítela e instale una nueva, siguiendo los pasos en "Instalación de una brida de piso nueva" en la página 43.
8. Si va a instalar un kit de montaje universal, siga las instrucciones que vienen con el kit.
9. Asegúrese de que la superficie del piso esté limpia y sin restos de sellador o desechos.

3.2 Instalación de una brida de piso nueva

i Si utilizará la brida de piso instalada, omita este paso y vaya a "Instalación del inodoro nuevo" en la página 44.

i Considere comunicarse con un profesional de servicio cualificado si debe instalar una brida de piso nueva.

1. Para extraer la brida de piso, afloje y deseche los tornillos. Si la brida de piso está pegada, necesitará herramientas adicionales para desmontarla.
2. Antes de fijar la brida de piso nueva, consulte "Requisitos de instalación" en la página 41 para verificar que:
 - Los orificios de montaje del inodoro se encuentran en la orientación preferida.
 - El centro de la brida de piso está como mínimo a la distancia recomendada de la pared trasera de su modelo de inodoro.



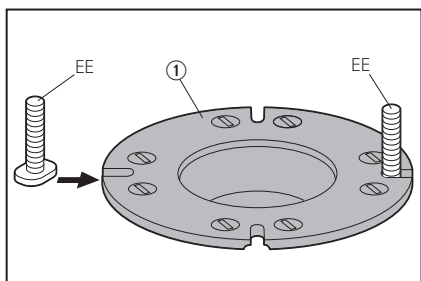
7 Instalación de una brida de piso nueva

- ① Tornillo
- ② Brida de piso nueva
- ③ Agujero de salida

3. Coloque la brida de piso nueva en el orificio de salida y fíjelo al piso con al menos cuatro tornillos (de preferencia ocho).

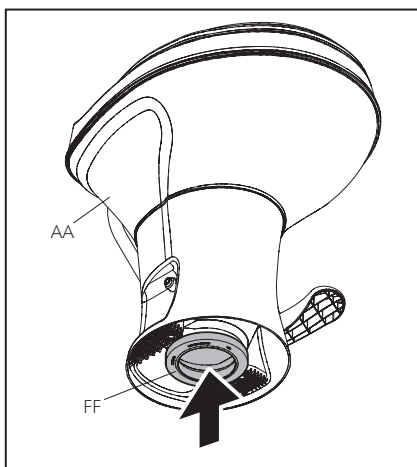
3.3 Instalación del inodoro nuevo

Siga estos pasos para instalar el inodoro nuevo:



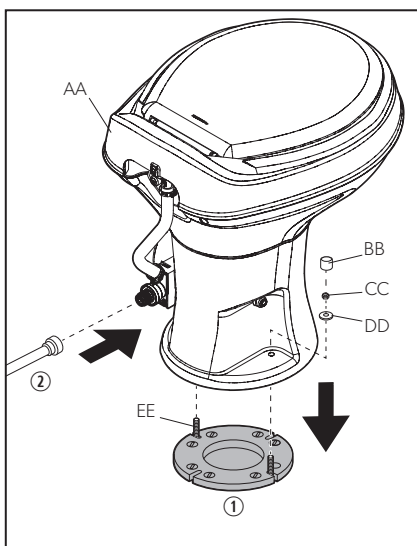
8 Inserción de los pernos T

- ① Brida de piso
1. Inserte los pernos T de montaje de piso (EE) nuevos en las ranuras de la brida de piso.



9 Instalación del sello de la brida de piso (FF)

- 2. Instale el sello de la brida de piso (FF) nuevo en la base del inodoro (AA). En algunos modelos, ya está instalado.
- 3. Coloque el inodoro (AA) sobre la brida de piso.



10 Fijación del inodoro nuevo

- ① Brida de piso
- ② Línea de suministro de agua

4. Alinee los agujeros en la base del inodoro con los pernos T de montaje de piso (EE) a medida que baja el inodoro (AA) sobre la brida de piso.

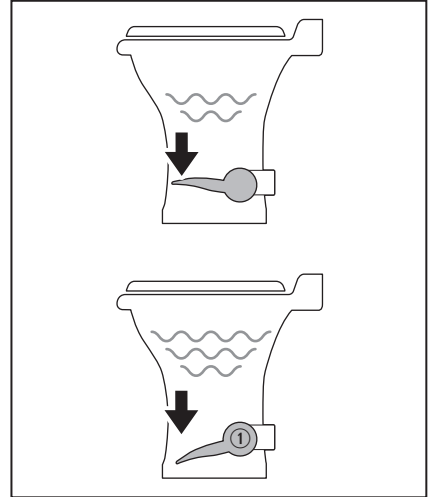
- i** Asegúrese de que el drenaje de salida entero de la base del inodoro encaje en el agujero de salida de la brida de piso para evitar fugas.
 - i** La base del inodoro podría no estar apoyada de manera uniforme en el piso aún. El sello de la brida de piso (FF) se comprimirá a medida que complete los pasos siguientes.
5. Coloque las arandelas de montaje de piso (DD) nuevas y luego las tuercas de montaje de piso (CC) nuevas en los pernos T de montaje de piso (EE).
 6. Apriete las tuercas de montaje de piso (CC). Si hay una llave dinamométrica disponible, ajústelas a 30–40 in lb (3.4–4.5 N·m). No apriete en exceso. Alterne entre lados al apretar para evitar distorsiones. Cuando las tuercas de montaje de piso (CC) estén apretadas, la base del inodoro (AA) se debe fijar de forma segura y plana contra el piso.
 7. Fije los capuchones de montaje de piso (BB) a las tuercas de montaje de piso (CC).
- i** Si el inodoro (AA) se va a instalar en una ducha (u otra área húmeda), aplique un reborde de sellador alrededor de la base del inodoro para evitar la filtración de agua debajo de la base.
8. Conecte la línea de suministro de agua y apriete la conexión a 30–40 in lb (3.4–4.5 N·m). No apriete en exceso.
- i** Si la línea de suministro de agua sale del piso, instale un adaptador o accesorio de codo de 1/2 pulg. (13 mm).
9. Abra el suministro de agua.
 10. Descargue el inodoro varias veces y verifique si hay fugas. Consulte “Descargar el inodoro” en la página 45.
 11. Pruebe si hay fugas llenando la cuba con agua y dejándola reposar por una hora.

4 Funcionamiento

Esta sección proporciona instrucciones sobre el uso adecuado de estos inodoros de descarga por gravedad.

4.1 Agregar agua a la cuba

Agregar agua a una cuba vacía ayuda a evitar que los olores del tanque de retención ingresen al espacio habitacional. Se recomienda agregar agua antes de descargar sólidos y papel higiénico.



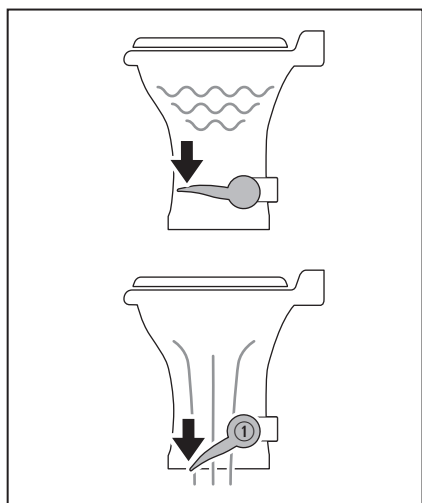
11 Presionar parcialmente el pedal de descarga

① Pedal de descarga

1. Para agregar agua al inodoro, presione el pedal hasta la mitad. El agua fluye hacia la taza, pero la bola de descarga permanece cerrada.
2. Si la bola de descarga se mueve, levante ligeramente el pedal.

4.2 Descargar el inodoro

AVISO: Solamente descargue agua, desechos corporales y papel higiénico de rápida disolución. No descargue objetos extraños. No descargue paños húmedos, paños sanitarios, pañales, vasos de cartón, hisopos, comida, cabello o líquidos como aceites o solventes. No cumplir con estas instrucciones puede causar obstrucciones o daños al inodoro o al sistema del inodoro.



12 Presionar completamente el pedal de descarga

① Pedal de descarga

1. Para descargar, presione el pedal hasta que haga contacto con el piso.
 2. Suelte el pedal después de una descarga completa.
- Cuando descargue líquidos, presione el pedal por aproximadamente 1–2 segundos.
 - Cuando descargue sólidos, presione el pedal hasta que el contenido de la cuba se vacíe de esta. Descargar por más tiempo del necesario hará que el tanque de retención se llene demasiado rápido.

Una pequeña cantidad de agua se acumulará en la cuba después de una descarga para crear un sello hermético.

i Goteo de agua residual en las cubas cerámicas: Debido al aro integrado de los modelos de inodoro 310, 311, 320 y 321, el agua puede seguir goteando a la cuba por hasta 20 minutos después de la descarga. Si el goteo de agua continúa después de 30 minutos, reemplace la válvula de agua. Consulte “Reemplazo de la válvula de agua” en la página 49.

Para que los olores del tanque de retención no ingresen al espacio habitacional, asegúrese de que quede 1 pulg. (24 mm) de agua en la cuba del inodoro. En función del sistema de plomería y la operación del usuario, puede tener que agregar agua para lograr esta profundidad de agua. Consulte “Agregar agua a la cuba” en la página 45.

5 Mantenimiento

Una limpieza, una preparación para el invierno y un mantenimiento adecuados del inodoro aumentará su vida útil.

AVISO: Si este inodoro llega a necesitar servicio, lea lo siguiente antes de darle servicio. No cumplir con estas pautas puede causar daños y **puede anular la garantía:**

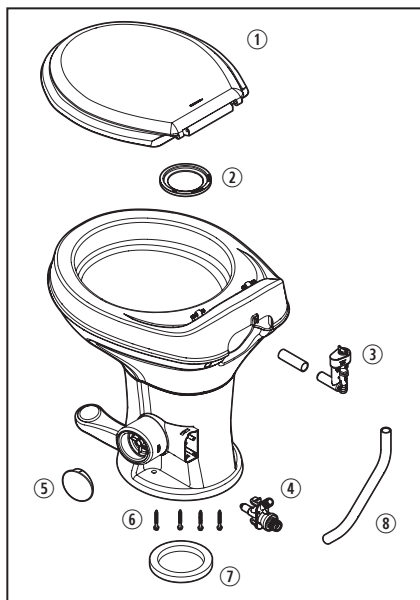
- **No** separe la cuba cerámica de la base plástica. A diferencia de otros inodoros de pedal de Dometic, la cuba y la base de los inodoros de la Serie 300, 310 y 320 **no** se deben separar por ningún motivo.
- **No** quite el pedal de la base. Este inodoro tiene un conjunto de cuba a base sellado de fábrica.
- **No** desarme los componentes.
- Consulte este manual y las instrucciones del kit de repuesto para obtener información de servicio y mantenimiento.

No necesita quitar el inodoro del vehículo (o desajustarlo del piso) para reparaciones básicas, como reemplazar el sello de la bola de descarga y reemplazar la válvula de agua.

Si necesita llamar a Dometic para obtener asistencia, tenga el número exacto de modelo disponible. Consulte “Identificación del modelo” en la página 40.

5.1 Repuestos

Esta sección muestra las piezas de repuesto para los modelos de inodoro. Las piezas disponibles pueden variar. Consulte la lista completa de piezas (disponible en línea en www.dometic.com) para obtener información adicional. Para solicitar piezas, comuníquese con su socio o distribuidor local de servicios de Dometic.



13 Piezas reparables de la Serie 300

- | | |
|--------------------------------|-----------------------------|
| ① Asiento del inodoro | ⑤ Cubierta del pedal |
| ② Sello de la bola de descarga | ⑥ Pernos T |
| ③ Interruptor de vacío | ⑦ Sello de la brida de piso |
| ④ Válvula de agua | ⑧ Manguera de suministro |

5.2 Kit de mantenimiento y materiales

Estos kit están disponibles para su compra:

- Kit de repuesto de la válvula de agua del inodoro de la Serie 300/310/320
- Kit de repuesto del sello de la bola de descarga
- Kit de interruptor de vacío

Recomendado para limpieza:

- Limpiador de cuba de inodoro SeaLand®
- Cepillo de cerdas finas
- Alcohol (solo 300/301)

Recomendado para almacenamiento/preparación para el invierno:

- Anticongelante no tóxico (glicol de propileno)

Opcional para resolución de problemas:

- Desodorante de tanque de retención SeaLand
- Pulverizador de silicona

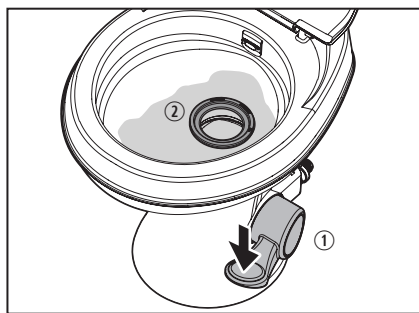
5.3 Realizar una limpieza rutinaria del inodoro

Para realizar una limpieza rutinaria, use el limpiador de cuba de inodoro SeaLand. Si no puede encontrar este limpiador en su área, comuníquese con su distribuidor más cercano de Dometic. Si el limpiador no está disponible, use un limpiador de cuba de inodoro y baño no abrasivo. Siga las instrucciones de la etiqueta.

En caso de manchas persistentes en las cubas de inodoro de los modelos 300 y 301, use alcohol para limpiar y eliminar la mancha con cuidado.

5.4 Limpieza de la bola de descarga y su sello

Después de un tiempo, los depósitos de mineral del agua dura pueden acumularse en la bola de descarga o su sello, y provocar fugas lentas de agua. Para evitarlo, limpie de la bola de descarga y su sello con frecuencia.



14 Limpieza de desechos del sello de la bola de descarga

- ① Sello de la bola de descarga
 - ② Pedal de descarga
1. Para quitar desechos pequeños de la bola de descarga y su sello, presione y suelte el pedal varias veces. Esto aflojará y lavará los desechos de las superficies. Repita varias veces en caso de acumulaciones persistentes.
 2. Si el paso 1 no limpia por completo la bola y su sello, límpielos con un cepillo de cerdas suaves y limpiador de cuba de inodoro SeaLand.
 - Limpie la parte superior de la bola de descarga y debajo del sello donde hace contacto con la bola de descarga.

- Después de limpiar el lado inferior del sello, aplique una presión ligera hacia abajo contra la parte superior del sello mientras cepilla alrededor del perímetro completo del sello.

i Si el brazo de pivote de bola se suelta mientras limpia el interior de la base debajo de la bola de descarga y el sello, vuelva a conectarlo al punto de pivote. Consulte la figura 16 para conocer la ubicación del punto de pivote.

i Si este procedimiento no corrige la fuga del sello, puede que deba reemplazarlo. Se incluyen instrucciones detalladas para la reposición con los kit de repuesto del sello de bola de descarga.

5.5 Preparar el inodoro para el invierno y almacenarlo

⚠️ ADVERTENCIA: RIESGO DE ENVENENAMIENTO.

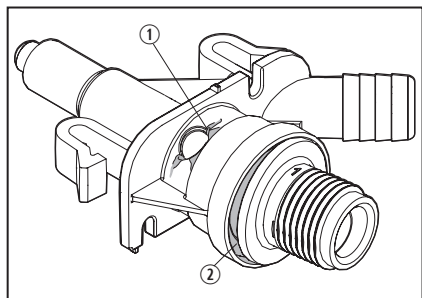
No use un anticongelante de tipo automotriz (glicol de etileno) en los sistemas de agua dulce. No cumplir con esta advertencia puede ocasionar lesiones graves o la muerte:

⚠️ PRECAUCIÓN: RIESGO DE DAÑOS FÍSICOS.

Este inodoro **no** está diseñado para su uso expuesto a temperaturas de congelación. No cumplir con esta precaución puede causar lesiones leves o moderadas.

AVISO: La garantía del inodoro excluye de forma expresa la cobertura de cualquier daño al inodoro o al vehículo que puedan deberse a una preparación inadecuada para el invierno del inodoro. El daño por congelamiento como resultado de fugas en la válvula de agua es indicador de una preparación inadecuada para el invierno.

5.5.1 Prevención de una válvula de agua congelada



15 Identificación de una válvula de agua dañada

① Daño por congelamiento

② Daño en válvula de agua

Estas válvulas de agua de inodoro exceden los estándares aplicables de presión máxima de agua según lo definido por los organismos de códigos de plomería norteamericanos. Sin embargo, si el agua atrapada se congela en la tubería que suministra el agua al inodoro, se expande y crea una presión enorme que puede dañar la válvula.

Si la ventana indicadora de daño por congelamiento (1) tiene marcas blancas de fatiga, indica daño por congelamiento. El daño en la válvula de agua se debe a una exposición severa a temperaturas de congelamiento.

Para evitar el daño, prepare el inodoro para el invierno como se describe en este manual. Si ocurren daños por congelamiento como resultado de una preparación inadecuada para el invierno, reemplace la válvula de agua con un kit de válvula de agua del inodoro de la Serie 300/310/320.

Si se devuelve la válvula de agua por un reclamo de garantía, Dometic se reserva el derecho de rechazar el reclamo si el problema se debe a daño por congelamiento.

i Use anticongelante no tóxico (glicol de propileno) designado para sistemas de agua potable (consulte el manual del propietario del vehículo).

Cuando se pueda exponer el inodoro a temperaturas de congelamiento, el inodoro se debe poder preparar para el invierno con el "Método de preparación para el invierno con anticongelante no tóxico" en la página 48 o el "Método de drenar el agua del inodoro" en la página 49. Cuando se almacena un inodoro por períodos largos, o el agua se estanca, descargue el sistema con el "Método de drenar el agua del inodoro" en la página 49.

5.5.2 Método de preparación para el invierno con anticongelante no tóxico

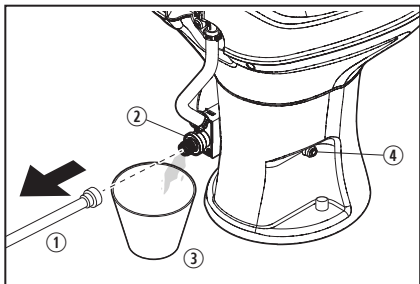
i Este es el método recomendado.

1. Vierta anticongelante no tóxico en el tanque de agua potable de acuerdo con las instrucciones del fabricante del anticongelante.
2. Descargue el inodoro (varias veces) hasta que el anticongelante haya fluido por completo a través del inodoro.

i Para inodoros con pulverizador de mano, este se debe encender para que el anticongelante circule por el pulverizador.

5.5.3 Método de drenar el agua del inodoro

1. Cierre el suministro de agua al inodoro.



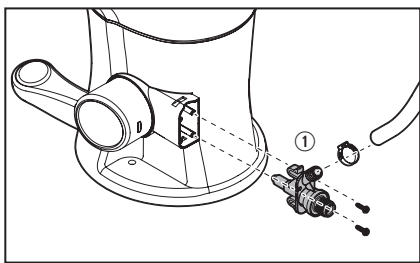
16 Desconexión del suministro de agua

- 1 Línea de suministro de agua
 - 2 Válvula de entrada de agua
 - 3 Cubo pequeño
 - 4 Punto de pivote para el brazo del pivote de bola
2. Desmonte la línea de suministro de agua de la válvula de agua.
 3. Coloque un cubo pequeño debajo de la entrada de la válvula de agua para contener el agua que se drena.
 4. Presione el pedal y permita que el agua se drene por completo de la válvula de agua y el interruptor de vacío.
 5. Deje la línea de agua desconectada hasta que la amenaza de las temperaturas de congelación haya pasado.

AVISO: No deje el vehículo recreativo desocupado por períodos largos mientras está conectado al suministro municipal de agua, o con la bomba de agua interna encendida, cuando exista la posibilidad de temperaturas de congelación.

5.6 Reemplazo de la válvula de agua

Consulte las instrucciones detalladas de repuesto en el kit de repuesto de la válvula de agua antes de quitar o instalar un conjunto de válvula de agua.



17 Extracción del conjunto de la válvula de agua

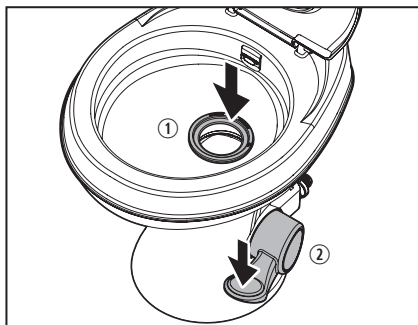
- 1 Conjunto de la válvula de entrada de agua

i En climas fríos, asegúrese de seguir el procedimiento de preparación para el invierno de este manual a fin de ayudar a evitar fallas en la válvula de agua.

5.7 Reacondicionamiento del sello de la bola de descarga

Todos los inodoros se prueban de fábrica para garantizar un sellado hermético en la cuba del inodoro. Este proceso de prueba de garantía de calidad requiere un dispositivo que mantenga la bola de descarga abierta, lo cual puede alterar temporalmente la forma original del sello de la bola de descarga. En consecuencia, puede hacer que el sello de la bola de descarga pierda agua hacia el tanque de retención durante el uso normal.

Si descubre una fuga de agua en el tanque de retención, dé al sello de la bola de descarga su forma original.



18 Reacondicionamiento del sello de la bola de descarga

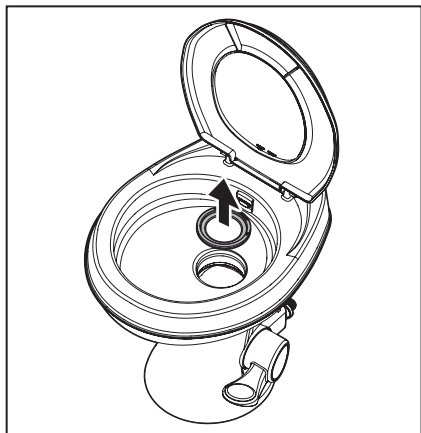
- 1 Sello de la bola de descarga
- 2 Pedal de descarga

1. Presione el pedal para mantener la bola de descarga abierta, luego presione levemente hacia abajo alrededor del borde del sello con un dedo para darle forma al sello de la bola de descarga.
2. Suelte el pedal.
3. Con la bola de descarga cerrada, vierta 1 cuarto (0.9 l) de agua caliente de grifo en la cuba del inodoro.
4. Deje que el agua se enfríe por completo.

Si el inodoro no mantiene el agua en la cuba, consulte "Resolución de problemas" en la página 51 antes de reemplazar el sello de la bola de descarga.

5.8 Reemplazo del sello de la bola de descarga

Consulte las instrucciones de reemplazo detalladas en el kit de repuesto del sello de la bola de descarga antes de quitar o instalar el sello.



19 Extracción del sello de la bola de descarga

6 Resolución de problemas

Problema	Causa posible	Solución recomendada
El agua no permanece en la cuba.	El sello de la bola de descarga no está bien colocado.	Consulte "Reacondicionamiento del sello de la bola de descarga" en la página 49.
	La forma del sello de la bola de descarga está alterada temporalmente.	Consulte "Reacondicionamiento del sello de la bola de descarga" en la página 49.
	La bola de descarga o el sello de la bola de descarga están sucios.	Limpie y selle la bola de descarga. Consulte "Limpieza de la bola de descarga y su sello" en la página 47.
	El sello de la bola de descarga está desgastado o defectuoso.	Reemplazo del sello de la bola de descarga. Para reemplazar el sello de la bola de descarga, consulte las instrucciones detalladas incluidas en el kit de repuesto del sello de la bola de descarga.
El flujo de agua hacia el inodoro no se detiene.	La válvula de agua está desgastada o defectuosa.	Reemplace la válvula de agua. Consulte "Reemplazo de la válvula de agua" en la página 49.
El agua no ingresa a la cuba del inodoro adecuadamente.	No hay suficiente caudal de agua en la entrada del inodoro.	Asegúrese de que el caudal en la entrada del inodoro sea de 3–5 gpm (11.4–18.9 lpm), la velocidad recomendada.
	El filtro en la entrada de la válvula de agua está obstruido.	Limpie el filtro, del lado de la entrada, con un hisopo o un cepillo de dientes viejo. No desarme la válvula.
	La válvula de agua está desgastada o dañada.	Reemplace la válvula de agua. Consulte "Reemplazo de la válvula de agua" en la página 49.
	Hay agujeros de lavado del aro tapados o chorros del aro tapados (solo Serie 300) en el inodoro.	Limpie los agujeros de lavado del aro o el chorro del aro.
El inodoro emite olor cuando la bola de descarga está abierta.	La ventilación del tanque de retención está obstruida.	Quite la obstrucción de la ventilación. Consulte el manual del propietario del tanque.
	El olor proviene del contenido del tanque de retención.	Agregue desodorante al tanque de retención.

Problema	Causa posible	Solución recomendada
El inodoro emite olor cuando la bola de descarga está cerrada.	No hay agua en la cuba.	Agregue agua a la cuba. Consulte "Agregar agua a la cuba" en la página 45.
	El sello de la bola de descarga está dañado.	Reemplace el sello de la bola de descarga. Para reemplazar el sello de la bola de descarga, consulte las instrucciones detalladas incluidas en el kit de repuesto del sello de la bola de descarga.
	El sello de la brida de piso está dañado.	Reemplace el sello de la brida de piso. Consulte "Desmontaje del inodoro instalado" en la página 43 e "Instalación del inodoro nuevo" en la página 44, utilizando el inodoro instalado y un sello nuevo a lo largo de los procedimientos.
La bola de descarga no se cierra por completo.	Hay demasiada fricción entre la bola de descarga y el sello.	Limpie y lubrique la bola de descarga y el sello de la bola de descarga con pulverizador de silicona o pulidor de muebles.
La bola de descarga no funciona correctamente.	El brazo de pivote de la bola puede haberse desconectado al limpiar debajo de la bola de descarga y su sello.	Vuelva a conectar el brazo del pivote de bola al punto de pivote. Consulte la figura 16 para conocer la ubicación del punto de pivote.
El pulverizador de mano tiene una fuga.	El pulverizador de mano está defectuoso.	Reemplace el pulverizador de mano. Consulte el manual del propietario del pulverizador de mano.
Se fuga agua de la válvula de agua.	La conexión de la línea de agua está floja o no está bien asentada.	Asegúrese de que las roscas no estén contraroscadas y apriete la conexión.
	La válvula de agua está desgastada o defectuosa.	Reemplace la válvula de agua. Consulte "Reemplazo de la válvula de agua" en la página 49.
Se fuga agua de la base del inodoro.	El inodoro no está fijado al piso.	Apriete bien los pernos de montaje. Siga los pasos en "Instalación del inodoro nuevo" en la página 44.
	El sello de la brida de piso está desgastado o defectuoso.	Reemplace el sello de la brida de piso. Consulte "Desmontaje del inodoro instalado" en la página 43 e "Instalación del inodoro nuevo" en la página 44, utilizando el inodoro instalado y un sello nuevo a lo largo de los procedimientos.

Problema	Causa posible	Solución recomendada
Se fuga agua de la parte trasera del inodoro.	Hay un interruptor de vacío suelto.	Asegúrese de que el vástago del interruptor de vacío esté bien insertado en el casquillo de sellado en la parte posterior del inodoro (Serie 310 y 320), o que esté bien conectado al chorro del aro (Serie 300).
	El interruptor de vacío está dañado o defectuoso.	Reemplace el interruptor de vacío. Siga las instrucciones incluidas con el interruptor de vacío nuevo.
	La manguera de suministro está dañada o defectuosa.	Apriete las abrazaderas de la manguera de suministro. Reemplace la manguera de suministro.
	La cuba del inodoro está agrietada o defectuosa.	Reemplace el inodoro.

7 Eliminación



Coloque el material de embalaje en los contenedores de reciclaje adecuados, siempre que sea posible. Consulte a un centro de reciclaje local o un distribuidor especializado para obtener detalles sobre cómo desechar el producto de acuerdo con todas las reglamentaciones nacionales y locales aplicables.

8 Información de la garantía

Consulte las secciones a continuación para obtener información sobre la garantía y soporte de garantía en EE. UU., Canadá y las demás regiones.

8.1 Estados Unidos y Canadá

GARANTÍA LIMITADA DISPONIBLE EN
WWW.DOMETIC.COM/WARRANTY.

SI TIENE PREGUNTAS O DESEA OBTENER UNA COPIA SIN COSTO DE LA GARANTÍA LIMITADA, CONTACTE A:

DOMETIC CORPORATION
CUSTOMER SUPPORT CENTER
5155 VERDANT DRIVE
ELKHART, INDIANA 46516
1-800-544-4881 OPC. 1

8.2 Todas las demás regiones

Se aplica el período de garantía legal. Si el producto es defectuoso, comuníquese con la sucursal del fabricante en su región (consulte la parte posterior del manual de instrucciones para informarse de los sitios web) o con su distribuidor.

Para procesar reparaciones y garantías, incluya los documentos siguientes cuando envíe el dispositivo:

- Una copia del recibo con la fecha de compra
- Una razón del reclamo o descripción de la falla

Mobile living made easy.



dometic.com

**YOUR LOCAL
DEALER**

dometic.com/dealer

**YOUR LOCAL
SUPPORT**

dometic.com/contact

**YOUR LOCAL
SALES OFFICE**

dometic.com/sales-offices

A complete list of Dometic companies, which comprise the Dometic Group, can be found in the public filings of:

DOMETIC GROUP AB Hemvärnsgatan 15 SE-17154 Solna Sweden