

CreoleFeast

Model | Modelo | Modèle

DF02B

Serial No.: 1231-E

OWNER'S MANUAL | MANUAL DEL USUARIO | MANUEL DE L'UTILISATEUR

OUTDOOR PROPANE DEEP FRYER

FREIDORA DE PROPANO PARA EXTERIORES

FRITEUSE EXTÉRIEURE AU PROPANE



Intertek

4007749

More install instructions
Más instrucciones de instalación
Plus d'instructions d'installation



FOR YOUR SAFETY! | ¡PARA SU SEGURIDAD! | POUR VOTRE SÉCURITÉ!

Use outdoors only!
Read the instructions before
assembling and using the appliance.

¡Solo usa al aire libre!
Lea las instrucciones antes
de montar y utilizar el aparato.

Utilisez uniquement à l'extérieur!
Lisez les instructions avant
d'assembler et d'utiliser l'appareil.

CONTACT US FIRST! | ¡PÓNGASE EN CONTACTO CON NOSOTROS PRIMERO! | CONTACTEZ-NOUS D'ABORD!

If you have any questions that are
not addressed, please contact us first.

Si tiene alguna pregunta que no se
aborde en este Manual del Usuario,
póngase en ontacto con nosotros primero.

Si vous avez des questions qui ne
sont pas traitées dans ce manuel de
l'utilisateur, contactez-nous d'abord.

Customer Service / Servicio al Aliente / Service de Clientèle: 1-800-618-6798

Learn more at / Obtener más información en / Pour en savoir plus:

www.creolefeast.com



CONTENTS

For Your Safety	2-3
Operating Instructions	4-8
Lighting Instructions	9
Cleaning and Maintenance	10
Troubleshooting Guide	11
Warranty and Customer Service	12
Parts Diagram	37
Parts List	38
Hardware List	39
Assembly	40-42

DANGER

If you smell gas:

1. Shut off gas supply to the appliance.
2. Extinguish any open flame.
3. If odor remains, keep away from the appliance and immediately call your fire department.

NOTE: Read all instructions prior to assembly and use. Failure to follow the instructions in this manual could result in bodily injury and/or property damage.

WARNING

1. The installation must conform with local codes or, in the absence of local codes, with either the *National Fuel Gas Code*, ANSI Z223.1/NFPA 54.
2. Do not store or use gasoline or other flammable liquids or vapors in the vicinity of this or any other appliance.
3. An LP cylinder not connected for use shall not be stored in the vicinity of this or any other appliance.

WARNING

**NEVER FRY TURKEYS WITH THIS APPLIANCE.
THIS APPLIANCE IS FOR OUTDOOR USE ONLY.**

In case of any issue, call us first! **DO NOT** return the appliance to the retailer. This appliance has been made to high quality standards. If you have any questions not addressed in this user's manual, or you need parts, please call our customer service hotline.

CAUTION

1. Please keep this Owner's Manual for future reference.
2. This appliance is NOT intended for commercial use.
3. The gas appliance is meant for use with propane gas only (propane gas cylinder not included).
4. DO NOT use gasoline, kerosene, or alcohol for lighting. This appliance is not intended to be used in or on recreational vehicles or boats.
5. Children should never use your appliance. Keep children and pets away when in use.
6. DO NOT attempt to move the appliance while it is lit or hot. DO NOT alter the appliance in any manner.
7. DO NOT use the appliance unless it is completely assembled, and all parts are securely fastened and tightened.
8. DO NOT use the appliance or any gas products near unprotected combustible buildings and materials.
9. DO NOT use in the presence of gases or vapors. Keep the cooking area clear and free from combustible materials, gasoline, and other flammable vapors and liquids.
10. DO NOT fill the cooking vessel with oil below the minimum fill line or above the maximum fill line.
11. DO NOT obstruct the air flow for combustion and ventilation.
12. Clean and inspect the hose before each use. If there is evidence of abrasion, wear, cuts, or leaks, the hose must be replaced before operating the appliance. The replacement hose assembly must be as per the manufacturer specifications specified by the manufacturer.
13. Keep the appliance's drain valve, burner, and chimney pipe clean. Inspect the appliance before each use.
14. Keep the ventilation openings of the cylinder enclosure free from debris.
15. The appliance shall not be used on or under any apartment or condominium balcony or deck.
16. DO NOT fill the cooking vessel beyond 4.0 gallons.
17. Frequently check the thermometer (every 3 minutes). Never allow oil to get hotter than 400 °F (204 °C). If the temperature exceeds 400 °F (204 °C) or if oil begins to smoke, immediately turn the burner or gas supply OFF.
18. This appliance will be HOT during and after use. Heated oil remains at scalding temperature long after cooking. NEVER touch the appliance until the oil has cooled to 115 °F (46 °C) or lower. Use insulated oven mitts or gloves to protect yourself from hot surfaces or splattering oil, or overflowing and cooking liquids.
19. Always have an approved extinguisher on hand when using this product. A Class "B" dry chemical or "CO₂" extinguisher or preferably a Class "K" extinguisher. Special care must be taken to understand the manufacturer's instructions and be prepared to operate the appropriate extinguisher prior to using this appliance.
20. If a fire occurs, keep away from the appliance and immediately call the fire department. Do not attempt to extinguish an oil fire with water.



WARNING

1. Fuels used in gas burning appliances and the combustion byproducts of such fuels, can expose you to chemicals including carbon monoxide, which is known to the State of California to cause birth defects or other reproductive harm.
2. This product can expose you to chemicals including Nickel (Metallic) , which is known to the State of California to cause cancer.
3. This product can expose you to chemicals including Lead and Lead Compounds, which are known to the State of California to cause cancer and birth defects or other reproductive harm.

For more information, go to: www.P65Warnings.ca.gov

⚠ WARNING ⚠

1. This appliance is for **Outdoor Use Only** and should not be used inside a building, garage, or any other enclosed space.
2. The consumption of alcohol, prescription, or non-prescription drugs may impair the operators' ability to properly assemble or safely operate the appliance.
3. Always place your appliance on a hard and level surface far away from combustibles.
4. Do not leave a lit appliance unattended. ALWAYS keep children and pets away from the appliance.
5. Do not place the appliance on any type of tabletop surface.
6. Do not use the appliance in high winds.

⚠ DANGER: LP CYLINDER RISK ⚠

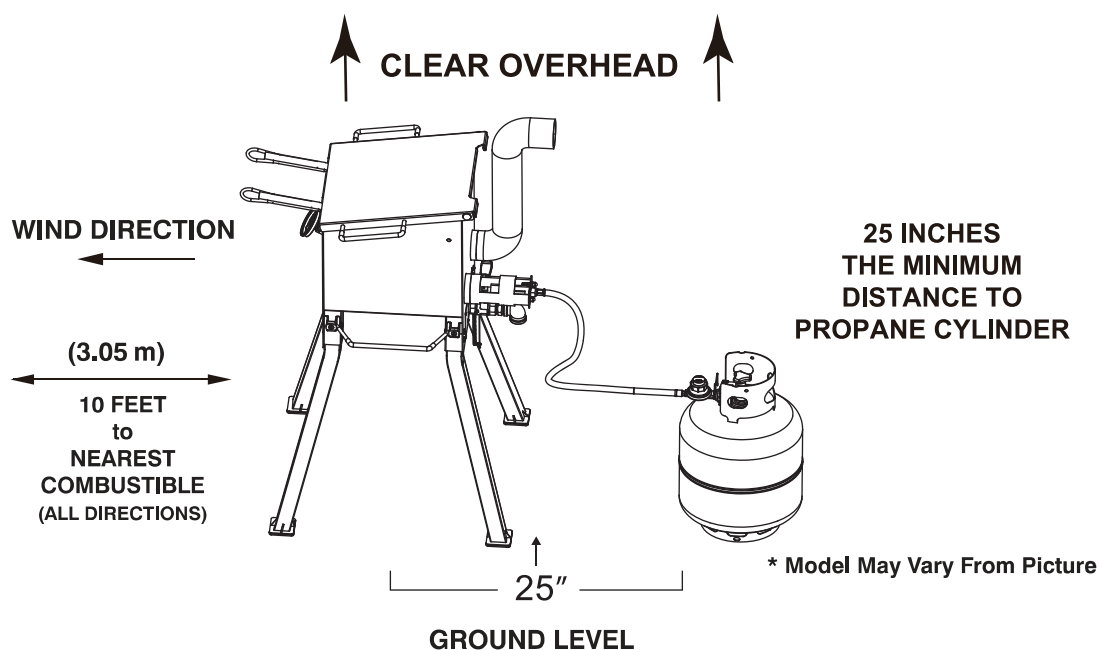
Liquid propane gas is flammable and hazardous if handled improperly. Understand the characteristics before using any propane product.

1. Propane characteristics: Flammable, explosive under pressure, heavier than air, settles in pools and low areas.
2. In its natural state, propane has no odor. For your safety, an odorant has been added.
3. Contact with propane can cause freeze burns to the skin.
4. This appliance is shipped from the factory for use with propane gas only.
5. Never use a propane cylinder with a damaged body, valve, collar, or footing.
6. Dented or rusted propane cylinders may be hazardous and should be checked by your propane gas supplier.

⚠ FOR YOUR SAFETY ⚠

1. Maintain at least 10 feet (3.05 m) clearance to combustible objects that can catch fire.
2. Keep at least 25 feet (7.5 m) distance between the appliance and cylinder.
3. Do not place or use the appliance where there are combustible surfaces overhead.

WARNING: LP hose may pose a tripping hazard.



INSTRUCTIONS FOR USE

Follow the instructions carefully to avoid seriously damaging your appliance and causing injury to yourself and to property.

1. Assemble the appliance as per the assembly instructions carefully.
2. Connect the LP cylinder to the appliance (LP cylinder not included).
3. Turn off the regulator valve before turning on the gas supply to the appliance.
4. Operate the regulator in accordance with the instructions supplied with the regulator.
5. Fill the appliance with oil according to fill lines. Maximum oil is 4.0 gallons (15.1 liters).

OIL INFORMATION

1. The most commonly used oils are vegetable oil and peanut oil.
2. Cooking oil typically does not burn below its flashpoint temperature. The flashpoint (the temperature at which oil will burn) ranges from 550°F (287°C) to 700°F (371°C), depending on the type of oil, altitude, wind conditions, and ambient temperature. Note: The flashpoint temperature is also known as the “smoke point.”
3. Cooking oil remains stable inside a stockpot, skillet, or pan (vessel) when kept below its flashpoint temperature.
4. As the cooking oil approaches its flashpoint temperature, it becomes unstable and starts to break down. When oil breaks down, vapors are produced, and when mixed with oxygen, these vapors can ignite. At very high temperatures, cooking oil vapors can even self-ignite.
5. Cooking oil can be re-used. Most oils recommend using the oil 4 to 5 times before disposal.
6. Each time oil is reused, it deteriorates, and its flashpoint temperature decreases.

FILLING THE FRYER WITH OIL

1. Ensure the drain valve is closed and burner is turned off.
2. Place the baskets inside the empty fryer.
3. Add cool oil to the fryer vessel.
4. Monitor the oil closely as it rises and reaches the bottom of the basket.
5. The maximum oil capacity is 4.0 gallons (15.1 liters).

FRYING INSTRUCTIONS

1. Carefully follow all assembly and testing instructions. Do not skip any warnings or steps.
2. Add 4.0 gallons of oil to the frying chamber of the main body.
3. Prepare your food for frying before lighting the fryer. Ensure food is completely thawed and dry. Properly preparing the food ahead of time ensures the fryer can operate without being left unattended, reducing the risk of oil boil-over and spills.
4. Light the burner as instructed in the manual. Adjust the flame intensity using the regulator control valve to your desired level.
5. Stay beside the fryer at all times. Once the fryer is lit and the oil is heating, do not leave the fryer unattended until cooking is complete and the oil has cooled to 115°F (46°C).
6. Keep the lid open during heat-up and frying. Closing the lid can cause the oil to overheat, potentially leading to ignition and fire.
7. Allow the oil to reach the optimum frying temperature, which should take approximately 16 minutes. Once the oil reaches 375°F (190°C), reduce the burner flame to a low level.
8. Check the thermometer frequently (every 3 minutes). Never allow the oil to exceed 400°F (204°C), as this is the FIRE HAZARD zone, as indicated on the thermometer.
9. Place food in the basket and then lower it into the hot oil. Use extreme care when lowering food or utensils into and removing them from the hot oil. Slowly lower food into the cooking oil using protective gloves and take care to avoid splashing or overflow.
10. When cooking is finished, turn off the LP cylinder and allow propane gas to “bleed” from the regulator hose assembly. Then, turn the regulator valve to the OFF position.
11. Disconnect regulator hose assembly from the LP cylinder.

WARNING

1. Hot cooking oil is extremely dangerous and must be monitored at all times during both use and the cool-down period.
2. Immersing food into hot cooking oil causes a roaring boil and displaces oil. Overfilling the fryer, allowing the oil to get too hot, or immersing frozen or wet food into hot oil can cause an overflow, leading to property damage, personal injury, or death.
3. This appliance does not have automatic thermostat controls. It must be monitored at all times during heat-up, frying, and cool-down. Use the provided thermometer to regularly check the frying temperature.
4. Oil heated above 400°F (204°C) will ignite, resulting in fire, property damage, personal injury, or death.
5. Keep your head, hair, and face away from the exhaust vent when lighting the burner. A flash flame may emit from the vent, which could cause injury.
6. Keep children and pets away from the appliance at all times to prevent accidents.

MANAGING COOKING OIL

1. Regularly check both the temperature and oil level. You may need to make minor adjustments to the regulator valve periodically to maintain a steady frying temperature. The optimum temperature range is 360°F (182°C) to 375°F (190°C).
2. Never drop food or accessories directly into hot oil. Always wear protective gloves and carefully lower food and accessories into cooking oil to prevent splashing or overflow. Be careful when removing food from oil as it is extremely hot and could cause burns.
3. If the oil level gets too low due to prolonged cooking, follow these steps:
 - Turn off the fryer and LP cylinder.
 - Allow the cooking oil to cool for 5 minutes.
 - Slowly pour in new cooking oil—do not exceed 4.0 gallons (15.1 liters).
 - Re-light the fryer once the oil has been added.

WARNING

1. When frying is finished, do not touch the appliance or handle the oil until it has cooled to below 115°F (46°C). The cooling time may vary depending on the amount of oil used, as well as wind and ambient temperatures.
2. If it begins to rain, snow, hail, sleet, or any other form of precipitation while cooking with oil, close the lid, and immediately turn off both the burner and gas supply. Do not move the fryer during this time.
3. Properly store or dispose of the oil after use.

WARNING

1. Introduction of water or ice from any source into the oil/grease may cause overflow and severe burns from hot oil and water splatter. When frying with oil/grease, all food **MUST** be completely **THAWED**, and towel **DRIED** before being immersed in the fryer.
2. Avoid bumping into or impacting the appliance to prevent spillage or splashing of hot cooking liquid.
3. Never drop food or accessories into hot cooking liquid. Lower food and accessories slowly into the cooking liquid in order to prevent splashing or overflow. When removing food from the appliance, pay more attention to avoid being scalded from hot cooking liquids.

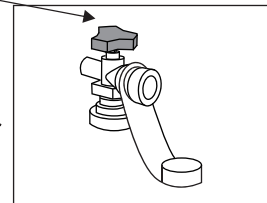
LP GAS AND CYLINDER INFORMATION

Your new gas appliance operates on LP (Liquified Petroleum) Gas. It is odorless, colorless, and non-toxic when produced. You can smell LP gas as it has been given an odor similar to rotten eggs for your safety.

The LP cylinder used with your appliance must have two features:

Triangular Hand Wheel

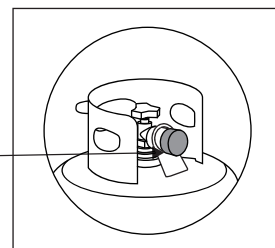
1. An OPD (Overfill Protection Device) that prevents accidental gas leaks caused by overfilling of the cylinder. Each cylinder contains a float that closes the input valve when the cylinder is 80% full. This allows room or the propane gas to expand in hot temperatures. A triangular hand wheel distinguishes this type of cylinder.
2. An QCC1 Type1 Quick Connect Valve that provides fast cylinder hook-ups and requires only to be tightened by hand.



TRANSPORTATION AND STORAGE

1. The LP cylinder must include a collar to protect the gas supply valve.
2. Do not store a spare LP cylinder under or near the appliance.
3. Never fill the LP cylinder beyond 80% capacity.
4. If the warnings 2 and 3 above are not heeded exactly, a fire causing death or serious injury may occur.
5. Always transport in an upright position.
6. Do not smoke when transporting your LP cylinder.
7. Place a dust cap on the cylinder gas valve outlet whenever the cylinder is not in use. Use only the type of dust cap that is provided with the cylinder valve when purchased. Other types of cap or plugs may result in leakage of propane.

Dust Cap



CYLINDER SPECIFICATIONS

1. Cylinder purchased or exchanged for your gas appliance must be manufactured and marked in accordance with the specifications for LP Gas cylinder of the U.S. Department of Transportation (DOT) or the National Standard of Canada, CAN/CSA-B339, Cylinders, Spheres and Tubes for Transportation of Dangerous Goods and Commission, be equipped with a listed over-filling prevention device (OPD), and be equipped with a cylinder connection device compatible with connection for outdoor cooking appliances.
2. The LP gas cylinder used for this appliance must not have a capacity exceeding 20 lb. (9.1 kg). Approximately 18" (45.7 cm) high and 12" (30.5 cm) diameter.
3. This appliance is designed to fit Worthington, Manchester, or SMPC brand 20 lb. (9.1 kg) cylinders. Other brands may fit this appliance if the top collar and bottom support ring have similar dimensions.

THE CYLINDER MUST ALSO BE EQUIPPED WITH:

1. A shut-off valve terminating in a Type 1 gas cylinder valve outlet
2. A Type 1 valve that prevents gas flow until a positive seal is made
3. A collar to protect the cylinder shut-off valve
4. A safety relief device that is directly linked with the vapor space of the cylinder

⚠ WARNING ⚠

A frosty cylinder valve indicates possible gas overfill. Close the LP valve and call your LP dealer immediately.

1. DO NOT connect this appliance to an existing #510 POL cylinder valve with left-hand threads. The Type 1 valve can be identified by the large external threads on the valve outlet.
2. DO NOT connect to a propane cylinder exceeding this capacity.
3. DO NOT connect to a cylinder that uses any other type of valve connection device.

CONNECTING REGULATOR TO LP CYLINDER

⚠ CAUTION ⚠

Only use the gas pressure regulator provided with this outdoor cooking appliance. This regulator is set for an outlet pressure of 11 inches of water column.

Your regulator is equipped with a QCC Type 1 quick connect system. It does not allow gas to flow until a positive seal has been made. It has a thermal element that will shut off the gas flow if the temperature reaches 115 °C (240 °F). It also has a flow-limiting device that restricts the flow of gas to 0.28 cubic metrics per hour (10 cubic feet per hour).

1. Make sure the LP cylinder is OFF by turning the hand wheel clockwise until it stops.
2. Keep at least 25 feet (7.5 m) distance between the appliance and cylinder.
3. Be sure the regulator valve is turned to the OFF position.
4. Remove the safety cap from the cylinder valve.
5. Center the regulator nipple into the cylinder valve.
6. Turn the coupling nut clockwise until it stops. Hand tighten Only. Do not use a wrench.



⚠ WARNING ⚠

1. Do not connect this appliance to any unregulated sources of propane.
2. Before each use, check the gas hose for excessive abrasion, wear, or cuts. Replace a damaged hose assembly with the one specified in the parts list before using the appliance.
3. Always perform the Leak Test listed below before using your appliance for the first time, if the cylinder has been changed, if any gas supply components have been changed, if the regulator flow-limiting device has been activated, or after a long period of non-use.
4. Do not attempt to connect this appliance to the LP system of a motor home or trailer.

LP CYLINDER LEAK TEST

1. Leak test must be repeated each time the LP cylinder is exchanged or refilled.
2. DO NOT smoke or have anything nearby that can easily ignite, such as lighters or matches.
3. DO NOT use an open flame to check for gas leaks.
4. The appliance must be leak checked outdoors in a well-ventilated area away from open flames or sparks.

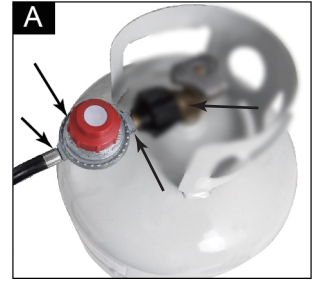
STEPS FOR LEAK TEST:

Use a clean paint brush and 50/50 soap and water solution.

NOTE: Use a mild soap and water. DO NOT use household cleaning agents, which could damage the gas component.

1. Turn regulator and cylinder valves OFF.
2. Be sure regulator is tightly connected to LP cylinder.
3. Completely open LP cylinder valve by turning hand wheel counterclockwise. If you hear a rushing sound, turn gas off immediately. There is a major leak at the connection. Correct before proceeding.
4. Brush the soapy solution onto all metal seams and the entire valve area as shown in figure A.
5. Slowly turn the LP cylinder valve counterclockwise to the open position.
6. A leak is identified by a flow of bubbles from the area of the leak. Close LP cylinder valve immediately and retighten connections.
7. If leaks cannot be stopped, do not try to repair, contact your appliance dealer for assistance. Do not attempt to operate appliance if a leak is present.
8. Always examine the hose for any damage. If damage is observed, do not attempt to patch the hose. Replacing the hose is the only safe option.
9. For assistance with any malfunction related to the LP cylinder, regulator or hose, contact customer service.
10. Always close LP cylinder valve after performing leak test by turning hand wheel clockwise.

UNDER NO CIRCUMSTANCE SHOULD THE VALVE REMAIN IN THE ON POSITION FOR MORE THAN 12 SECONDS.



! WARNING !

1. DO NOT USE THE APPLIANCE if there are leaks. Be sure the LP cylinder valve is closed. If the LP cylinder is still leaking, contact your LP dealer or call 911.
 2. Do not use any matches, open flames, or smoke during leak testing.
 3. Do not light any burner during leak testing.
 4. Replacement parts, including a replacement hose assembly, must be as per the specifications in the parts list.
- Failure to comply with these instructions may result in serious bodily injury.**

THERMOMETER TEST

! WARNING !

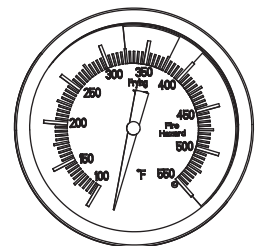
Always use a thermometer when frying any food. A thermometer is a sensitive measuring device which may not work properly if dropped, bent, or twisted. Always check to be sure your thermometer is working properly before frying. DO NOT use a meat thermometer for frying.

1. While wearing protective gloves, hold the thermometer by the dial and insert the stem into the boiling water.
2. The needle should quickly move and stabilize around the 212°F (100°C) mark. This confirms that your thermometer is functioning correctly.

Note: Due to water evaporation, the highest reading you'll get in a boiling water test is 212°F (100°C). Hot cooking oil can reach temperatures above 212°F (100°C), so your thermometer will register higher readings in oil.

3. If the needle stops at a lower temperature reading such as 225°F (107°C), then the thermometer is damaged and cannot be used.

Note: DO NOT attempt frying if the thermometer is not working! If the thermometer supplied with this fryer has been lost or damaged, a replacement thermometer must be one specified by the appliance manufacturer.



Each appliance burner is tested and calibrated at the factory prior to shipment; however, variations in the local gas supply may make it necessary to adjust the burner. Please visually check the flames of the burner. Always visually inspect your appliance before lighting. Replace any hose that is frayed or cracked. Look for anything that could block ventilation and remove such a blockage or move the appliance. After lighting, check the flame pattern to ensure you have even heat distribution for the burner. If burner don't light up, or if the flame pattern is uneven, see the Troubleshooting section.

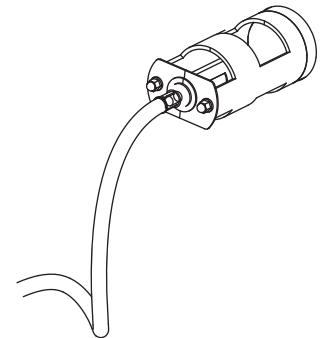
⚠️ WARNING: BEFORE LIGHTING ⚠️

1. Read the instructions before lighting.
2. Ensure there is a minimum of 25 feet between the LP tank and the burner. Note that the LP hose can be a tripping hazard, so exercise special care.
3. Ensure that nothing is directly above the burner. Never position your head or arms directly over the burner.
4. Inspect the gas supply hose prior to turning the gas "ON". If there is evidence of cuts, wear, or abrasion, it must be replaced prior to use. Do not use the appliance if the odor of gas is present. Only use the pressure regulator and hose assembly supplied with the unit.
5. Never use regulators and hose assemblies other than those supplied with the appliance. If a replacement is necessary, contact the manufacturer to get the proper replacement. The replacement must be as per the specifications in the Owner's Manual. **DO NOT LEAVE THE APPLIANCE UNATTENDED WHILE COOKING.**
6. **DO NOT USE SPIRIT OR PETROL FOR LIGHTING OR RE-LIGHTING!**

LIGHTING THE BURNER

1. Confirm that the regulator control valve and LP cylinder are fully closed and in the "OFF" position.
2. Open the LP cylinder valve completely by turning it counterclockwise.
3. Use an extended reach lighter or a long match to ignite the burner. Place the flame directly over the burner. Slowly turn the regulator control valve to the "ON" position and adjust the flame as needed.
4. If the burner does not light within five (5) seconds, turn the regulator control valve back to the "OFF" position, close the LP tank valve, and wait for five (5) minutes. After the five-minute wait, restart the process from step 1.

* Should the burner still fail to ignite, check the gas supply.

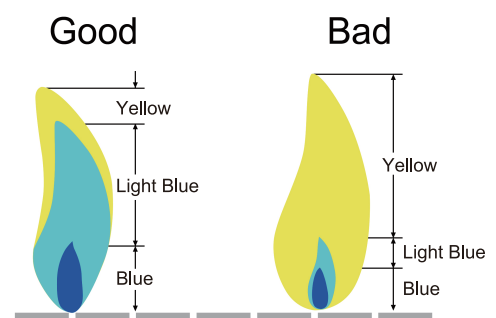


TURNING OFF YOUR APPLIANCE

1. Turn off the gas supply at the LP cylinder by turning the valve clockwise to a full stop.
2. Turn off the regulator by turning the valve counterclockwise to a full stop.

BURNER FLAMES

Light the burner and adjust the flame with the regulator control valve until the desired flame is achieved. Always check the flame prior to each use. A blue flame with little or no yellow flame provides the best heat.



Your new appliance has been designed and manufactured to high quality standards. It will provide you with many years of fun cooking time, however, it requires a minimal amount of maintenance.

- NOTE:**
1. Clean the entire appliance regularly and tighten all hardware on a regular basis (1-2 times a year or more depending on usage). Cleaning should be done using detergents that won't harm patio, lawn, or environment.
 2. Do not clean any part of your appliance in a self-cleaning oven.
 3. Do not use oven cleaners, abrasive kitchen cleaners that contain citrus products, or mineral spirits.
 4. Always allow the appliance to cool down prior to cleaning.

⚠ WARNING : BEFORE CLEANING ⚠

1. Before cleaning, turn off the fryer at the regulator valve and then at the gas cylinder. Ensure there is no flame, no gas smell, and that the valves are in the "OFF" position. Ensure the appliance is properly disconnected from the propane tank.
2. Before draining the oil, allow the oil to completely cool down. For safety, always wear protective heat-resistant gloves during the process. The valve requires a garden hose fitting with a 1" diameter (sold separately-consult your local hardware store) to connect to a standard water hose. Place a hose or a bucket under the valve. Open the valve to drain the oil from the fryer. If using a bucket, open the valve slowly to avoid spills. Any remaining oil can be scooped from the fryer and placed in a container.

STEPS FOR CLEANING THE FRYER

1. Move the empty fryer to a clean area.
2. Place a bucket under the open drain valve. Use a garden hose to rinse the bottom of the fryer, directing the stream of water into the bucket.
3. Close the drain valve and add water to the fryer until it covers the internal heating tubes. Add a small amount of dish-washing liquid and clean the interior using a sponge.
4. Drain the soapy water and rinse thoroughly with clean water.
5. Ensure that all components are completely dry before using or storing the fryer.

NOTE: Apply vegetable oil cooking to the interior to prevent rust.

STORAGE

1. Clean your appliance before storage. Store in a cool dry place.
2. Storage of your appliance indoors is permissible only if the LP cylinder is disconnected and removed from the appliance.
3. A cover is highly recommended to protect your appliance.
4. Perform a Leak Test before using the appliance after it has been kept in storage for some time.

⚠ WARNING ⚠

1. Inspect the heating tube for blockages or insect nests. A blockage can restrict gas flow, causing the appliance to malfunction or overheat, which could lead to a fire beneath the appliance. To ensure safe operation, regularly inspect and clean the burner and heating tube, ensuring the gas flow is unobstructed.
2. Never insert tools into the valve outlet or safety relief valve. Inserting a tool or foreign object could damage the valve, causing a gas leak. This poses a risk of explosion, fire, personal injury, or death.

Troubleshooting: Problem	Possible cause	Prevention/Solution
Fryer Won't Heat or Takes Too Long to Heat	<ol style="list-style-type: none"> 1. Gas supply issues 2. Clogged burner 	<ol style="list-style-type: none"> 1. Check and ensure the gas supply is adequate and not obstructed. 2. Inspect and clean the burner or heating tube.
Inconsistent or Low Flame	<ol style="list-style-type: none"> 1. Clogged burner 2. Faulty LP cylinder valve 3. Low or inconsistent gas pressure 	<ol style="list-style-type: none"> 1. Clean the burner and check for any blockages. 2. Test the gas pressure and adjust or call a professional if needed. 3. Replace or repair the LP cylinder valve if it's malfunctioning.
Burner Won't Light	<ol style="list-style-type: none"> 1. Burner not fully engaged with control valve 2. Obstruction in burner 3. No gas flow 4. Coupling nut and LP cylinder valve not fully connected 	<ol style="list-style-type: none"> 1. Make sure valve are positioned inside the burner. 2. Ensure burner is not obstructed with spider webs or other material; see cleaning section in Cleaning and Maintenance. 3. Make sure LP cylinder is not empty. If LP cylinder is not empty, check sudden drop in gas flow. 4. Turn the coupling nut approximately one-half to three-quarters.
Flame has gone out	<ol style="list-style-type: none"> 1. Low gas level in the LP cylinder, or the cylinder is empty. 2. Too much wind 3. Blocked burner 4. Water in burner 	<ol style="list-style-type: none"> 1. Check the gas level in the LP cylinder. 2. Check wind direction and set the cooker away from windy areas. 3. Clean and check burner for spiders, insect nests, and debris. 4. Check the burner for moisture, make sure the burner is dry.

If your problem is not resolved using the troubleshooting information above, please contact your local gas dealer.

Thanks for purchasing this Creole Feast® Outdoor Propane Deep Fryer.

Creole Feast® warrants its products to be free from defects in materials and workmanship under proper assembly, normal residential use and recommended care for **1-Year Full Warranty** from the date of original retail purchase. The warranty does not cover paint finish as it may burn off during normal use. **RUST is not considered a manufacturing or materials defect.**

Within the stated warranty period, Creole Feast®, at its discretion, shall replace defective components free of charge, with the owner being responsible for shipping. Creole Feast® reserves the right to require that defective parts be returned, postage and/or freight pre-paid by the consumer for review and examination. In the event of parts availability issues, Creole Feast® reserves the right to substitute like or similar parts that are equally functional. Upon the expiration of such warranty, all such liability shall terminate.

Note: A dated sales receipt along with Model Number and Serial Number will be required for the warranty service.

The limited warranty will not reimburse you for the cost of any inconvenience, food, personal injury or property damage. All warranty coverage is void if this appliance is ever used for commercial or rental purposes. And this limited warranty applies to the functionality of the product ONLY and does not cover cosmetic issues such as scratches, dents, corrosions or discoloring by heat, abrasive and chemical cleaners or any tools used in the assembly or installation of the appliance, surface rust, or the discoloration of stainless steel surfaces.

ITEMS NOT COVERED IN THE WARRANTY SERVICE

Any failures or operating difficulties due to accident, abuse, misuse, alteration, misapplication, vandalism, improper installation or improper maintenance or service, or failure to perform normal and routine maintenance, including but not limited to damage caused by insects within the burner tubes, as set out in the owner's manual.

Deterioration or damage due to severe weather conditions such as hail, hurricanes, earthquakes or tornadoes, discoloration due to exposure to chemicals either directly or in the atmosphere.

Cost of service calls to your home.

Costs of removal or re-installation.

Pickup and delivery of your product.

Shipping or transportation costs.

Labor costs for installation and repair.

Liability for indirect, or consequential damages.

This limited warranty is the sole warranty given by Creole Feast® and is in lieu of all other warranties, expressed or implied including implied warranty, merchantability, or fitness for a particular purpose. Neither Creole Feast® nor the retail establishment selling this product has authority to make any warranties or to promise any remedies in addition to or inconsistent with those stated above.

The maximum liability of Creole Feast®, in any event, shall not exceed the purchase price of the product paid by the original consumer purchaser. Some states do not allow the exclusion or limitation of incidental or consequential damages. In such a case, the above limitations or exclusions may not be applicable.

Do not return parts without prior to obtaining return authorization from our customer service department.

Please do not hesitate to contact our customer service when you have any questions regarding assembly, warranty, or accessories. We will be happy to offer any replacement parts you need during the warranty period.



1-800-618-6798



service@creolefeast.com



Mon-Fri, 8:30 AM-5:00 PM, EST

ÍNDICE

Para su seguridad	14-15
Instrucciones de funcionamiento	16-20
Instrucciones de iluminación	21
Limpieza y mantenimiento	22
Guía de solución de problemas	23
Garantía y servicio al cliente	24
Diagrama de partes	37
Lista de piezas	38
Lista de hardware	39
Montaje	40-42

PELIGRO

Si huele gas:

1. Apague el suministro de gas al aparato.
2. Extinga cualquier llama abierta.
3. Si el olor permanece, manténgase alejado del aparato y llame inmediatamente a su departamento de bomberos.

NOTA: El incumplimiento de estas instrucciones podría provocar un incendio, una explosión o quemaduras, que podrían causar daños a la propiedad, lesiones personales o la muerte.

ADVERTENCIA

1. La instalación debe cumplir con los códigos locales o, en ausencia de códigos locales, con el *Código Nacional de Gas Combustible*, ANSI Z223.1/NFPA 54.
2. No almacene ni utilice gasolina u otros líquidos o vapores inflamables cerca de este o cualquier otro aparato.
3. No se debe almacenar un bombona de gas licuado que no esté conectado para su uso en las proximidades de este o cualquier otro aparato.

ADVERTENCIA

**NUNCA FRÍE PAVOS CON ESTE APARATO.
ESTE APARATO ES EXCLUSIVAMENTE PARA USO EN EXTERIORES.**

En caso de cualquier problema, ¡llámenos primero! **NO** devuelva el aparato al minorista. Este aparato ha sido hecha con altos estándares de calidad. Si tiene alguna pregunta que no figure en este manual del usuario, o necesita piezas, llame a nuestra línea directa de atención al cliente.

PRECAUCIÓN

1. Por favor, guarde este Manual del Usuario para futuras referencias.
2. Este aparato **NO** está concebido para uso comercial.
3. Este aparato está diseñada para su uso con gas propano solamente (excluidos los bombona de propano).
4. **NO** use gasolina, queroseno o alcohol para la iluminación. Este aparato no está diseñada para usarse en vehículos o botes recreativos.
5. Los niños no deben utilizar su aparato.
6. **NO** intente mover el aparato mientras está encendida o caliente. **NO** altere el aparato de ninguna manera.
7. **NO** utilice el aparato a menos que esté completamente montada, y todas las piezas estén bien sujetas y apretadas.
8. **NO** utilice el aparato ni ningún producto de gas cerca de edificios y materiales combustibles sin protección.
9. **NO** la utilice en presencia de gases o vapores. Mantenga el área de cocción despejada y libre de materiales combustibles, gasolina y otros vapores y líquidos inflamables.
10. **NO** llene el recipiente de cocción con aceite por debajo de la línea de llenado mínimo o por encima de la línea de llenado máximo.
11. **NO** obstruya el flujo de aire para la combustión y la ventilación.
12. Limpie e inspeccione la manguera antes de cada uso. Si hay evidencia de abrasión, desgaste, cortes o fugas, la manguera debe reemplazarse antes de operarel el aparato. El conjunto de manguera de repuesto debe ser según las especificaciones del fabricante especificadas por el fabricante.
13. Mantenga limpia la válvula de drenaje, el quemador y la chimenea del aparato. Inspeccione el aparato antes de cada uso.
14. Mantenga las aberturas de ventilación de la carcasa del bombona libres de escombros.
15. El aparato no debe usarse sobre o debajo de ningún balcón o terraza de un apartamento o condominio.
16. **NO** llene el recipiente de cocción más allá de 15.1 litros.
17. Revise el termómetro con frecuencia (cada 3 minutos). Nunca permita que el aceite se calienten a más de 400 °F (204 °C). Si la temperatura excede de los 400 °F (204 °C) o si el aceite comienza a humear, apague inmediatamente el quemador o el suministro de gas.
18. Este aparato estará **CALIENTE** durante y después de su uso. Los líquidos calentados permanecen a temperaturas susceptibles de producir quemaduras durante un largo periodo después del proceso de hervido. Nunca toque el aparato de hervido hasta que los líquidos se hayan enfriado hasta 115 °F (46 °C) o por debajo. Utilice guantes aislantes de horno para protegerse de superficies calientes o salpicaduras de líquidos de cocinado.
19. Tenga siempre a mano un extintor homologado cuando utilice este producto. Un extintor de polvo químico seco de Clase "B" o "CO₂", o preferiblemente un extintor de Clase "K". Se debe tener especial cuidado para comprender las instrucciones del fabricante y estar preparado para manejar el extintor apropiado antes de usar este aparato. Si continúa oliendo a gas, comuníquese inmediatamente con el Departamento de Extinción de Incendios (bomberos) (por ejemplo, en el 911) y no se acerque al aparato.
20. Si se produjera un incendio, manténgase alejado del aparato y llame inmediatamente al Servicio de Extinción de Incendios (bomberos). Si el aceite prenden, no intente apagar el fuego con agua.

ADVERTENCIA

1. Los combustibles utilizados en los aparatos que queman gas y los subproductos de la combustión de dichos combustibles pueden exponerlo a sustancias químicas, incluido el monóxido de carbono, que según el Estado de California causa defectos de nacimiento u otros daños reproductivos.
2. Este producto puede exponerlo a químicos, incluyendo Níquel (Metálico), que el estado de California sabe que causa cáncer.
3. Este producto puede exponerlo a químicos, incluyendo Plomo y Compuestos de Plomo, que el estado de California sabe que causan cáncer y defectos de nacimiento u otros daños reproductivos.

Para más información, visite: www.P65Warnings.ca.gov

⚠️ ADVERTENCIA ⚠️

1. Este aparato es sólo para uso al aire libre y no debe utilizarse dentro de un edificio, garaje, o cualquier otro espacio cerrado.
2. El consumo de alcohol, medicamentos recetados o de venta libre puede afectar la capacidad de los operadores para ensamblar correctamente o operar el aparato de manera segura.
3. Coloque siempre el aparato en una superficie dura y nivelada lejos de los combustibles.
4. No dejar un aparato iluminada desatendida. SIEMPRE mantenga a los niños y mascotas lejos del aparato.
5. No coloque el aparato sobre ningún tipo de superficie de mesa.
6. No utilice el aparato con vientos fuertes.

⚠️ PELIGRO: RIESGO DE BOMBONA DE GAS ⚠️

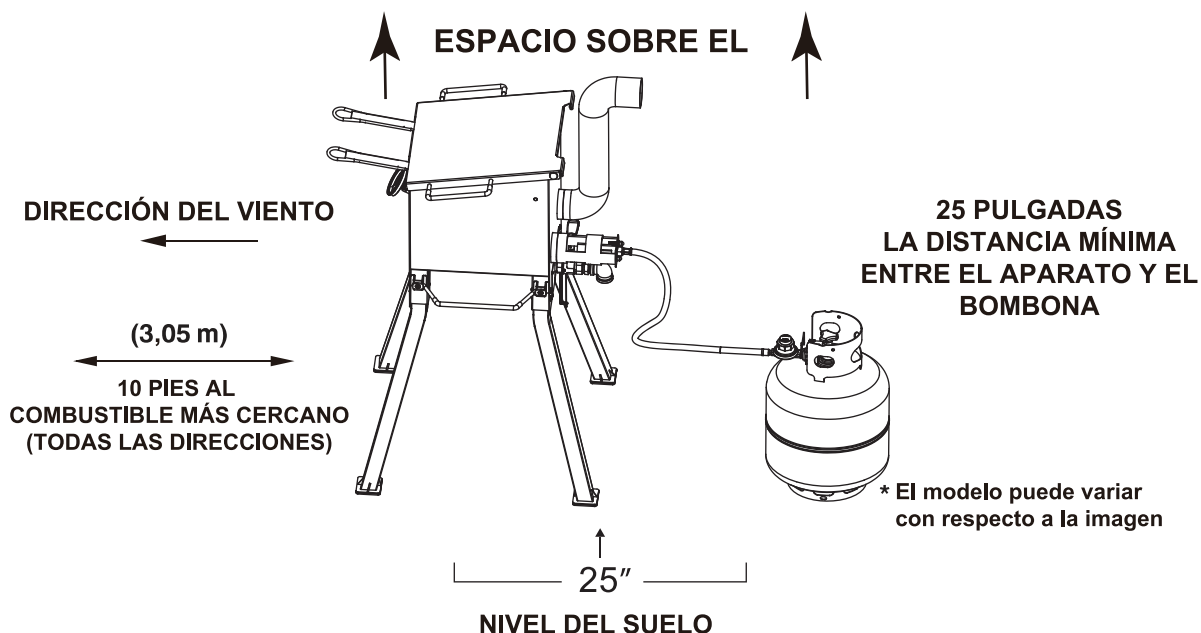
El gas propano líquido es inflamable y peligroso si se manipula incorrectamente. Comprender las características antes de utilizar cualquier producto de propano.

1. Características de propano: inflamable, explosivo bajo presión, más pesado que el aire, se asienta en piscinas y áreas bajas.
2. En su estado natural, el propano no tiene olor. Para su seguridad, se ha añadido un olor.
3. El contacto con el propano puede provocar quemaduras de congelación en la piel.
4. Este aparato se envía desde la fábrica para su uso con gas propano solamente.
5. Nunca utilice un bombona de gas con un cuerpo, válvula, anillo o base dañados.
6. Los cilindros de propano abollados u oxidados pueden ser peligrosos y deben ser revisados por su proveedor de gas propano.

⚠️ PARA SU SEGURIDAD ⚠️

1. Asegúrese de que haya una distancia mínima de 10 pies (3,05 metros) entre materiales combustibles y los lados y la parte posterior del aparato.
2. Mantenga una distancia de al menos 25 pulgadas (75 cm) entre el aparato y la bombona.
3. No coloque el aparato donde haya superficies combustibles por encima.

ADVERTENCIA: La manguera de gas es un peligro de tropiezo.



INSTRUCCIONES DE USO

Siga estas instrucciones cuidadosamente para evitar dañar seriamente su aparato y causar lesiones personales y a la propiedad.

1. Ensamble el aparato siguiendo cuidadosamente las siguientes instrucciones de montaje.
2. Conecte el bombona de gas al aparato (bombona de gas no incluido).
3. Cerrar la válvula reguladora antes de abrir el paso de gas al artefacto.
4. Maneje el regulador de acuerdo a las instrucciones provistas con el mismo.
5. Llene la olla con aceite según las líneas de llenado. Llène la olla con aceite según las líneas de llenado.

INFORMACIÓN SOBRE EL ACEITE

1. Los aceites más comúnmente usados son el aceite vegetal y el aceite de cacahuete.
2. El aceite de cocina típicamente no se quema por debajo de su temperatura de punto de inflamación. El punto de inflamación (la temperatura a la cual el aceite se quemará) varía de 550°F (287°C) a 700°F (371°C), dependiendo del tipo de aceite, altitud, condiciones de viento y temperatura ambiente. Nota: La temperatura de punto de inflamación también se conoce como el “punto de humo.”
3. El aceite de cocina permanece estable dentro de una olla, sartén o cacerola (recipiente) cuando se mantiene por debajo de su temperatura de punto de inflamación.
4. A medida que el aceite de cocina se acerca a su temperatura de punto de inflamación, se vuelve inestable y comienza a descomponerse. Cuando el aceite se descompone, se producen vapores, y cuando se mezclan con oxígeno, estos vapores pueden encenderse. A temperaturas muy altas, los vapores del aceite de cocina pueden incluso autoencenderse.
5. El aceite de cocina puede reutilizarse. La mayoría de los aceites recomiendan usar el aceite de 4 a 5 veces antes de desecharlo.
6. Cada vez que se reutiliza el aceite, se deteriora y su temperatura de punto de inflamación disminuye.

LLENADO DE LA FREIDORA CON ACEITE

1. Asegúrese de que la válvula de drenaje esté cerrada y el quemador esté apagado.
2. Coloque las cestas dentro de la freidora vacía.
3. Agregue aceite frío al recipiente de la freidora.
4. Monitoree el aceite de cerca mientras sube y alcanza el fondo de la cesta.
5. La capacidad máxima de aceite es de 15.1 litros.

INSTRUCCIONES PARA EL FREÍDO

1. Siga cuidadosamente todas las instrucciones de montaje y prueba. No omita ninguna advertencia o paso.
2. Agregue 4.0 galones de aceite a la cámara de freír del cuerpo principal.
3. Prepare su comida para freír antes de encender la freidora. Asegúrese de que la comida esté completamente descongelada y seca. Preparar adecuadamente la comida con anticipación asegura que la freidora pueda operar sin ser dejada desatendida, reduciendo el riesgo de desbordamiento de aceite y derrames.
4. Encienda el quemador según las instrucciones del manual. Ajuste la intensidad de la llama usando la válvula de control del regulador a su nivel deseado.
5. Permanezca junto a la freidora en todo momento. Una vez que la freidora esté encendida y el aceite se esté calentando, no deje la freidora desatendida hasta que la cocción esté completa y el aceite se haya enfriado a 115°F (46°C).
6. Mantenga la tapa abierta durante el calentamiento y la fritura. Cerrar la tapa puede causar que el aceite se sobrecaliente, lo que podría llevar a la ignición y al fuego.
7. Permita que el aceite alcance la temperatura óptima de fritura, lo cual debería tomar aproximadamente 16 minutos. Una vez que el aceite alcance 375°F (190°C), reduzca la llama del quemador a un nivel bajo.
8. Revise el termómetro con frecuencia (cada 3 minutos). Nunca permita que el aceite exceda los 400°F (204°C), ya que esta es la zona de PELIGRO DE INCENDIO, como se indica en el termómetro.
9. Coloque la comida en la cesta y luego bájela en el aceite caliente. Tenga mucho cuidado al bajar la comida o los utensilios en el aceite caliente y al sacarlos. Baje lentamente la comida en el aceite de cocina usando guantes protectores y tenga cuidado de evitar salpicaduras o desbordamientos.

10. Cuando termine de cocinar, apague el cilindro de LP y permita que el gas propano "sangre" del conjunto de la manguera del regulador. Luego, gire la válvula del regulador a la posición OFF.
11. Desconecte el conjunto de la manguera del regulador del cilindro de LP.

ADVERTENCIA

1. El aceite de cocina caliente es extremadamente peligroso y debe ser monitoreado en todo momento durante el uso y el período de enfriamiento.
2. Sumergir comida en aceite de cocina caliente causa una ebullición rugiente y desplaza el aceite. Llenar en exceso la freidora, permitir que el aceite se caliente demasiado o sumergir comida congelada o húmeda en aceite caliente puede causar un desbordamiento, lo que lleva a daños a la propiedad, lesiones personales o la muerte.
3. Este aparato no tiene controles automáticos de termostato. Debe ser monitoreado en todo momento durante el calentamiento, la fritura y el enfriamiento. Use el termómetro proporcionado para revisar regularmente la temperatura de fritura.
4. El aceite calentado por encima de 400°F (204°C) se encenderá, resultando en fuego, daños a la propiedad, lesiones personales o la muerte.
5. Mantenga su cabeza, cabello y cara alejados del respiradero de escape al encender el quemador. Una llama repentina puede salir del respiradero, lo que podría causar lesiones.
6. Mantén a los niños y las mascotas alejados del aparato en todo momento para prevenir accidentes.

GESTIÓN DEL ACEITE DE COCINA

1. Revisa regularmente tanto la temperatura como el nivel de aceite. Es posible que necesites hacer ajustes menores a la válvula reguladora periódicamente para mantener una temperatura de fritura constante. El rango de temperatura óptimo es de 360°F (182°C) a 375°F (190°C).
2. Nunca dejes caer alimentos o accesorios directamente en el aceite caliente. Siempre usa guantes protectores y baja cuidadosamente los alimentos y accesorios en el aceite de cocina para evitar salpicaduras o desbordamientos. Ten cuidado al retirar los alimentos del aceite ya que está extremadamente caliente y podría causar quemaduras.
3. Si el nivel de aceite baja demasiado debido a la cocción prolongada, sigue estos pasos:
 - Apaga la freidora y el cilindro de gas LP.
 - Deja que el aceite de cocina se enfríe durante 5 minutos.
 - Vierte lentamente aceite de cocina nuevo—no excedas los 15.1 litros.
 - Vuelve a encender la freidora una vez que se haya añadido el aceite.

ADVERTENCIA

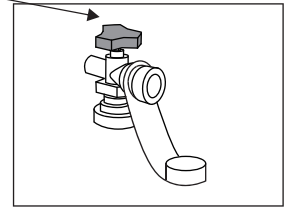
1. Cuando termines de freír, no toques el aparato ni manipules el aceite hasta que se haya enfriado a menos de 115°F (46°C). El tiempo de enfriamiento puede variar dependiendo de la cantidad de aceite utilizado, así como del viento y las temperaturas ambientales.
2. Si comienza a llover, nevar, granizar, o cualquier otra forma de precipitación mientras cocinas con aceite, cierra la tapa y apaga inmediatamente tanto el quemador como el suministro de gas. No muevas la freidora durante este tiempo.
3. Almacena o desecha adecuadamente el aceite después de usarlo.

INFORMACIÓN DE BOMBONA Y GAS GLP

Su nuevo aparato funciona con gas GLP (petróleo licuado). Es inodoro, incoloro y no tóxico cuando se produce. Puede oler gas GLP, ya que se le ha dado un olor similar al de huevos podridos por su seguridad.

El aparato utiliza el bombona de gas GLP más nuevo y seguro (tanque) que incluye dos características:

Rueda triangular de mano

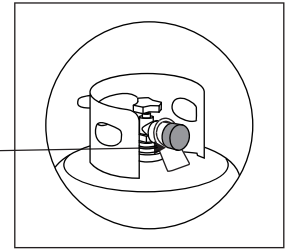


1. Un OPD (dispositivo de protección contra sobrellenado)-evita fugas accidentales de gas causadas por el sobrellenado del bombona. Cada bombona contiene un flotador que cierra la válvula de entrada cuando el bombona está 80% lleno. Esto deja espacio para que el gas propano se expanda en temperaturas altas. Una rueda de mano triangular distingue este tipo de bombona.
2. Una válvula de conexión rápida QCC1 Tipo 1 que proporciona conexiones rápidas al bombona y solo requiere ser apretada a mano.

TRANSPORTE Y ALMACENAMIENTO

1. El bombona de gas debe incluir un collar para proteger la válvula de suministro de gas.
2. No almacene un bombona de gas de repuesto cerca del aparato.
3. Nunca llene el bombona de gas más allá del 80% de su capacidad.
4. Si la advertencia en 2 y 3 anteriores no se hace caso exactamente, puede ocurrir un incendio que cause la muerte o lesiones graves.
5. Transporte siempre en posición vertical.
6. No fume al transportar su bombona de gas.
7. Coloque una tapa contra el polvo en la salida de la válvula de gas del bombona siempre que el bombona no esté en uso. Use solo el tipo de tapa guardapolvo que se proporciona con la válvula del bombona cuando se compra. Otros tipos de tapones o tapones pueden provocar fugas de propano.

Tapa contra el polvo



ESPECIFICACIONES DEL BOMBONA

1. El bombona comprado o intercambiado por su aparato debe ser fabricado y marcado de acuerdo con las especificaciones para bombonas de gas GLP del Departamento de Transporte (DDT) de EE. UU. o el Estándar Nacional de Canadá, CAN/CSA-B339, Cilindros, Esferas y Tubos para Transporte de mercancías peligrosas y comisión, Estar equipado con un dispositivo de prevención de sobrellenado (OPD) listado y estar equipado con un dispositivo de conexión de cilindro compatible con la conexión para aparatos de cocina al aire libre.
2. El bombona de gas GLP que se utiliza con este artefacto no debe sobrepasar las 20 libras (9,1 kg) de capacidad. Aproximadamente 18 pulgadas (45,7 cm) de alto y 12 pulgadas (30,5 cm) de diámetro.
3. Este aparato está diseñada para adaptarse a los cilindros de 20 libras (9,1 kg) de las marcas Worthington, Manchester o SMPC. Otras marcas pueden ajustarse a este aparato si el cuello superior y el anillo de soporte inferior tienen dimensiones similares.

EL BOMBONA TAMBIÉN DEBE ESTAR EQUIPADO CON:

1. Una válvula de cierre que termina en una salida de la válvula del bombona de gas tipo 1
2. Una válvula tipo 1 que evita el flujo de gas hasta que se hace un sello positivo
3. Un collar para proteger la válvula de cierre del bombona
4. Un dispositivo de alivio de seguridad que está directamente relacionado con el espacio de vapor del bombona

⚠ ADVERTENCIA ⚠

Si se congela la válvula del bombona bombona de gas, puede haber una sobredosis de gas. Cierre la válvula de baja presión y llame inmediatamente al distribuidor de GLP.

1. NO conecte este aparato a una válvula de bombona POL #510 existente con roscas a la izquierda.
La válvula Tipo 1 se puede identificar mediante las grandes roscas externas de la salida de la válvula.
2. NO conecte a un bombona de gas que exceda esta capacidad.
3. NO conecte a un bombona que utilice ningún otro tipo de dispositivo de conexión de válvula.

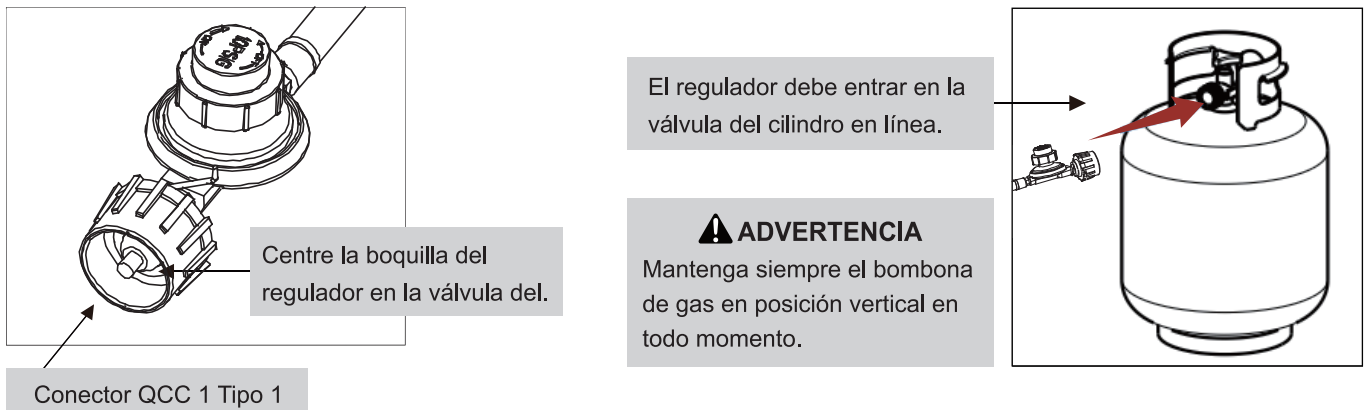
CONECTANDO EL REGULADOR A LA BOMBONA DE GAS

⚠ PRECAUCIÓN ⚠

Utilice únicamente el regulador de presión de gas suministrado con este aparato de cocción al aire libre. Este regulador está configurado para una presión de salida de 11 pulgadas columna de agua.

Su regulador está equipado con un sistema de conexión rápida QCC Tipo 1. No permite que el gas fluya hasta que se haya hecho un sello positivo. Tiene un elemento térmico que apaga el flujo de gas si la temperatura alcanza los 115 °C (240 °F). También tiene un dispositivo de limitación de flujo que restringe el flujo de gas a 0,28 métricas cúbicas por hora (10 pies cúbicos por hora).

1. Asegúrese de que el bombona de gas esté apagado girando la rueda de mano en el sentido de las agujas del reloj hasta que se detenga.
2. Mantenga una distancia de al menos 25 pulgadas (75 cm) entre el aparato y la bombona.
3. Asegúrese de que la válvula reguladora esté en la posición OFF.
4. Retire la tapa de seguridad de la válvula del bombona.
5. Centre la boquilla del regulador en la válvula del bombona.
6. Gire la tuerca negra en el sentido de las agujas del reloj hasta que se detenga. Apriete a mano solamente. No utilice una llave inglesa.



⚠ ADVERTENCIA ⚠

1. No conecte este aparato a ninguna fuente no regulada de propano.
2. Antes de cada uso, compruebe si la manguera de gas es excesiva abrasión, desgaste o cortes. Reemplace un conjunto de manguera dañado por el especificado en la lista de piezas antes de usar el aparato.
3. Si el bombona ha sido sustituido, se han sustituido las partes de gas, se ha activado la unidad de caudal limitado del regulador o se ha dejado de usar durante un período prolongado, deberán realizarse las siguientes pruebas de fuga antes de que se utilice por primera vez el aparato.
4. No intente conectar este aparato al sistema de GLP de una autocaravana o remolque.

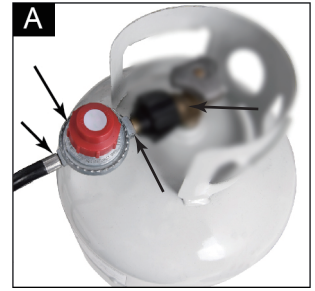
PRUEBA DE ESTANQUEIDAD DE LA BOMBONA DE GAS

1. La prueba de estanqueidad debe repetirse cada vez que se cambia o se vuelve a llenar la bombona de gas.
2. NO fume ni tenga nada cerca que pueda prender fácilmente, como encendedores o fósforos.
3. NO use una llama viva para verificar si hay fugas de gas.
4. Debe comprobarse si hay fugas en el aparato al aire libre, en un área bien ventilada y lejos de llamas vivas o chispas.

PASOS DE LA PRUEBA DE ESTANQUEIDAD:

Use una brocha de pintura limpia y una solución de 50/50 de agua y jabón suave. No use productos de limpieza del hogar. Esto puede dañar los componentes del de gas.

1. Asegúrese todos, el regulador y las válvulas de las bombonas estén cerradas.
2. Cerciórese de que el regulador esté bien conectado al bombona de gas.
3. Abra por completo la válvula del bombona de gas, girando la manilla en sentido contrario a las agujas del reloj. Si escucha un sonido de ráfaga, cierre de inmediato el paso de gas. La conexión tiene una fuga considerable. Corrija esta situación antes de continuar.
4. Cepille la solución jabonosa en todas las uniones del metal y en toda el área de la válvula, como se muestra en las figuras.
5. Gire lentamente la válvula de la bombona de gas en sentido contrario a las agujas del reloj hasta la posición de abierta.
6. Las fugas pueden identificarse mediante la formación. Cierre de inmediato la válvula del bombona de gas y vuelva a apretar las conexiones.
7. Si no puede eliminar las fugas, no intente repararlas, contacte a su proveedor del aparato para obtener ayuda. No intente utilizar la aparato si hay una fuga.
8. Examine siempre la manguera en busca de daños. Si observa algún daño, no intente reparar la manguera. Reemplazar la manguera es la única opción segura.
9. Para obtener ayuda con cualquier funcionamiento defectuoso relacionado con la bombona de gas, el regulador o la manguera, contacte con el servicio de atención al cliente.
10. Después de hacer una prueba para detectar fugas, cierre siempre la válvula del bombona de gas, girando la manilla en el sentido de las agujas del reloj.



BAJO NINGUNA CIRCUNSTANCIA, LA VÁLVULA DEBE PERMANECER EN LA POSICIÓN DE ENCENDIDO MÁS DE 12 SEGUNDOS.

⚠ ADVERTENCIA ⚠

1. NO UTILICE EL APARATO si hay fugas. Asegúrese de que la válvula del bombona de gas esté cerrada. Si el bombona de gas sigue teniendo fugas, póngase en contacto con su distribuidor de GLP o llame al 911.
2. No utilice fósforos, llamas abiertas ni humo durante las pruebas de fugas.
3. No encienda ningún quemador durante las pruebas de fugas.
4. Las piezas de repuesto, incluido un conjunto de manguera de repuesto debe ajustarse a las especificaciones de la lista de piezas de repuesto.

El incumplimiento de esas instrucciones puede dar lugar a graves lesiones personales.

TESTADO DEL TERMÓMETRO

⚠ ADVERTENCIA ⚠

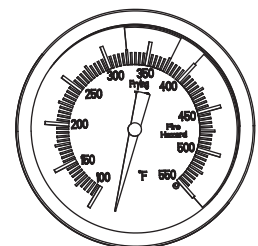
Utilice siempre un termómetro para freír cualquier alimento. Un termómetro es un dispositivo de medición sensible que puede no funcionar correctamente si se cae, se dobla o se retuerce. Compruebe siempre que su termómetro funciona correctamente antes de freír. NO use para freír un termómetro para carne.

1. Con guantes protectores puestos, sostenga el termómetro por el lado de la escala e inserte la varilla del mismo en agua hirviendo.
2. La aguja debe moverse rápidamente en torno al cuadrante e indicar aproximadamente 212 °F (100 °C) (+/- 5 °F). Esto indica si la lectura de temperatura es precisa o no.

NOTA: Debido a la evaporación del agua, la lectura máxima posible en un termómetro en agua caliente es 212 °F (100 °C).

3. Si la aguja se detiene en una temperatura baja, como 225 °F (107 °C), significa que el termómetro está dañado y no se puede usar.

NOTA: ¡NO intente freír si el termómetro no funciona! Si el termómetro suministrado con esta freidora/olla se ha perdido o dañado, el termómetro de repuesto debe ser uno especificado por el fabricante del aparato.



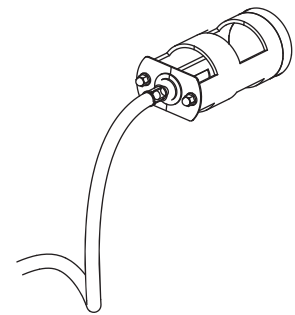
Cada quemador de aparato se prueba y calibra en la fábrica antes del envío; sin embargo, los cambios en el suministro local de gas natural pueden requerir un ajuste del quemador. Por favor, compruebe visualmente las llamas de los quemadores. Compruebe siempre visualmente el aparato antes de encenderlo. Reemplace cualquier manguera que esté deshilachada o agrietada. Busque cualquier cosa que pueda bloquear la ventilación y eliminar tal obstrucción o mover el aparato. Después de la iluminación compruebe el modo de fuego para asegurarse de que el calor de cada quemador se distribuye uniformemente. Si los quemadores no se encienden o si el patrón de llama es desigual, consulte la sección Solución de problemas.

⚠️ ADVERTENCIA: ANTES DE LA ILUMINACIÓN ⚠️

1. Lea las instrucciones antes de la iluminación.
2. Asegúrate de que haya un mínimo de 25 pies entre la bombona de gas LP y el quemador. Ten en cuenta que la manguera de gas LP puede ser un peligro de tropiezo, así que ten especial cuidado.
3. Asegúrate de que no haya nada directamente sobre el quemador. Nunca posiciones tu cabeza o brazos directamente sobre el quemador.
4. Inspeccione la manguera de suministro de gas antes de encender el gas. Si hay evidencia de cortes, desgaste o abrasión, debe reemplazarse antes de su uso. No utilice el aparato si hay olor a gas. Utilice únicamente el regulador de presión y el conjunto de manguera suministrados con la unidad.
5. Nunca utilice reguladores y conjuntos de mangueras que no sean los suministrados con el aparato. Si es necesario un reemplazo, comuníquese con el fabricante para obtener el reemplazo adecuado. El reemplazo debe realizarse según las especificaciones del Manual del Usuario. **NO DEJE EL APARAT DESATENDIDA MIENTRAS COCINA.**
6. **¡NO UTILICE ALCOHOL O GASOLINA PARA ENCENDER O VOLVER A ENCENDER!**

ILUMINACIÓN EL QUEMADOR

1. Confirma que la válvula de control del regulador y el cilindro de gas LP estén completamente cerrados y en la posición "OFF".
 2. Gire la válvula de control del regulador y la válvula de la bombona hasta la posición de APAGADO.
 3. Usa un encendedor de largo alcance o una cerilla larga para encender el quemador. Coloca la llama directamente sobre el quemador. Gira lentamente la válvula de control del regulador a la posición "ON" y ajusta la llama según sea necesario.
 4. Si el quemador no se enciende en cinco (5) segundos, vuelve a girar la válvula de control del regulador a la posición "OFF", cierra la válvula de la bombona de gas LP y espera cinco (5) minutos. Después de esperar cinco minutos, reinicia el proceso desde el paso 1.
- * Si los quemadores siguen sin encenderse, compruebe el suministro de gas.

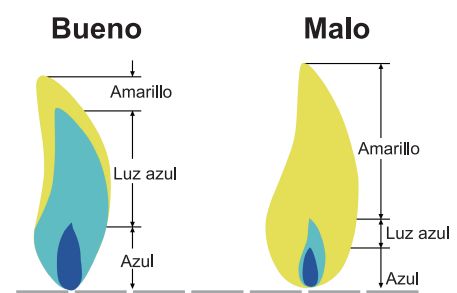


APAGAR EL APARATO

1. Apague el suministro de gas en el bombona de gas girando la válvula en el sentido horario.
2. Gire la válvula reguladora a la posición OFF.

LLAMAS DE QUEMADOR

Encienda el quemador y regule la llama con la válvula de control del regulador de aire hasta lograr la llama deseada. Compruebe siempre la llama antes de cada uso. Una llama azul con poca o ninguna llama amarilla proporciona el mejor calor.



Su nueva aparato ha sido diseñada y fabricada con altos estándares de calidad. Le dará muchos años de tiempo de cocción, sin embargo, necesita un mínimo de mantenimiento.

- NOTA:** 1. Limpie todo el aparato todos los años y apriete todos los elementos con regularidad (1-2 veces al año o más, según el uso). La limpieza debe realizarse utilizando detergentes que no dañen el patio, el césped o el medio ambiente.
2. No limpie ninguna parte de su aparato en un horno autolimpiante.
 3. No utilice limpiadores de horno, limpiadores de cocina abrasivos, limpiadores que contengan productos cítricos o alcoholes minerales.
 4. Siempre deje que el aparato se enfríe antes de la limpieza.

⚠ ADVERTENCIA: ANTES DE LIMPIAR ⚠

1. Antes de limpiar, apaga la freidora en la válvula del regulador y luego en el cilindro de gas LP. Asegúrate de que no haya llama, ni olor a gas, y que las válvulas estén en la posición "OFF". Asegúrate de que el aparato esté correctamente desconectado del cilindro de gas LP.
2. Antes de drenar el aceite, deja que el aceite se enfríe completamente. Por seguridad, siempre usa guantes protectores resistentes al calor durante el proceso. La válvula requiere un accesorio de manguera de jardín con un diámetro de 1" (se vende por separado—consulta en tu ferretería local) para conectar a una manguera de agua estándar. Coloca una manguera o un cubo debajo de la válvula. Abre la válvula para drenar el aceite de la freidora. Si usas un cubo, abre la válvula lentamente para evitar derrames. Cualquier aceite restante puede ser sacado de la freidora y colocado en un recipiente.

PASOS PARA LIMPIAR LA FREIDORA

1. Mueve la freidora vacía a un área limpia.
2. Coloca un cubo debajo de la válvula de drenaje abierta. Usa una manguera de jardín para enjuagar el fondo de la freidora, dirigiendo el chorro de agua hacia el cubo.
3. Cierra la válvula de drenaje y añade agua a la freidora hasta que cubra los tubos de calefacción internos. Añade una pequeña cantidad de detergente para lavar platos y limpia el interior usando una esponja.
4. Drena el agua jabonosa y enjuaga bien con agua limpia.
5. Asegúrate de que todos los componentes estén completamente secos antes de usar o almacenar la freidora.

NOTA: Aplica aceite vegetal de cocina al interior para prevenir la oxidación.

ALMACENAMIENTO

1. Limpie el aparato antes de almacenarla. Almacenar en un lugar seco.
2. El almacenamiento de su aparato en el interior sólo es permisible si el bombona de gas se desconecta y retirado del aparato.
3. Se recomienda una cubierta para proteger su aparato.
4. Realice una prueba de fugas antes de usar el aparato después de que se ha mantenido en el almacenamiento durante algún tiempo.

⚠ ADVERTENCIA ⚠

1. Revisar el tubo de calefacción para buscar obstrucciones o nidos de insectos. Una obstrucción puede restringir el flujo de gas, causando que el aparato funcione mal o se sobrecaliente, lo que podría provocar un incendio debajo del aparato. Para garantizar un funcionamiento seguro, inspeccionar y limpiar regularmente el quemador y el tubo de calefacción, asegurándose de que el flujo de gas no esté obstruido.
2. No se deben insertar herramientas en la salida de la válvula o en la válvula de alivio de seguridad. Insertar una herramienta u objeto extraño podría dañar la válvula, causando una fuga de gas. Esto representa un riesgo de explosión, incendio, lesiones personales o incluso la muerte.

Resolución de problemas: problema	Posible causa	Prevención/Solución
La freidora no calienta o tarda demasiado en calentar	<ol style="list-style-type: none"> 1. Problemas con el suministro de gas 2. Quemador obstruido 	<ol style="list-style-type: none"> 1. Revisa y asegúrate de que el suministro de gas sea adecuado y no esté obstruido. 2. Inspecciona y limpia el quemador o el tubo de calefacción.
Llama inconsistente o baja	<ol style="list-style-type: none"> 1. Quemador obstruido 2. Válvula del cilindro de gas LP defectuosa 3. Presión de gas baja o inconsistente 	<ol style="list-style-type: none"> 1. Limpia el quemador y verifica si hay obstrucciones. 2. Prueba la presión del gas y ajusta o llama a un profesional si es necesario. 3. Reemplaza o repara la válvula del cilindro de gas LP si está fallando.
El quemador no se enciende	<ol style="list-style-type: none"> 1. Quemador no conectado con la válvula de control 2. Obstrucción en el quemador 3. Sin flujo de gas 4. La tuerca de acoplamiento y la válvula del bombona de gas no están completamente conectadas. 	<ol style="list-style-type: none"> 1. Asegúrese de que la válvula esté colocada dentro de los tubos del quemador. 2. Asegúrese de que los tubos del quemador no estén obstruidos con telarañas u otro material; ver sección de limpieza y mantenimiento. 3. Asegúrese de que el bombona de gas no esté vacío. Si el bombona de gas no está vacío, compruebe caída repentina en el flujo de gas. 4. Gire la tuerca de acoplamiento aproximadamente de la mitad a tres cuartas partes..
La llama se ha apagado	<ol style="list-style-type: none"> 1. Nivel de gas bajo en la bombona de gas o ésta está vacía: 2. Demasiado viento 3. Quemador bloqueado 4. Agua en el quemador 	<ol style="list-style-type: none"> 1. Compruebe el nivel de gas en la bombona de gas. 2. Verifique la dirección del viento y coloque la olla lejos de áreas con viento. 3. Limpie y revise el quemador para ver si hay arañas, nidos de insectos y restos. 4. Compruebe la humedad del quemador, asegúrese de que esté seco.

Si no puede resolver su problema con la información de desactivación antes mencionada, póngase en contacto con su distribuidor de gas local.

Gracias por adquirir la Freidora de propano para exteriores de Creole Feast®.

Creole Feast® garantiza que sus productos no presentan defectos de fabricación, ni de material ni de la mano de obra, si se los ensambla correctamente, se los utiliza de forma normal y se los cuida según las recomendaciones, durante un período de **1 año** a partir de la fecha de compra original. La garantía no cubre el acabado de la pintura ya que puede salirse durante el uso normal. **RUST no se considera una de fabricación o materiales defecto.**

Durante el período de vigencia establecido de la garantía, Creole Feast®, a su criterio, reemplazará los componentes defectuosos sin costo alguno, debiendo hacerse responsable el propietario de los gastos de envío. Creole Feast® se reserva el derecho de exigir la devolución de las piezas defectuosas, enviadas con el porte o el flete pagado por el consumidor, para ser revisadas y examinadas. En caso de problemas de disponibilidad de piezas, Creole Feast® se reserva el derecho de reemplazar piezas similares que son igualmente funcionales. Después de la fecha de vencimiento de la garantía, finalizarán todas las responsabilidades.

***Nota:** A fecha de recibo con el número de modelo y el número de serie de compra serán necesarios para el servicio de garantía.

Esta garantía limitada no ampara el costo en el que se incurra por inconvenientes, alimentos, lesiones ni daños a la propiedad. Cualquier cobertura de garantía será nula si este aparato se utiliza con fines comerciales o de alquiler. Esta garantía limitada atañe ÚNICAMENTE al funcionamiento del producto y no ampara rayones, abolladuras, corrosión ni decoloración ocasionada por el calor, los productos de limpieza abrasivos y químicos, ni por las herramientas usadas en el armado o en la instalación del aparato, oxidación de las superficies ni decoloración de las superficies de acero inoxidable.

LO QUE NO ESTÁ CUBIERTO EN EL SERVICIO DE GARANTÍA

Cualquier falla o problema de funcionamiento debido a un accidente, uso indebido o incorrecto, alteración, uso para otros fines, vandalismo, instalación incorrecta o mantenimiento o reparación inadecuados, o el incumplimiento del mantenimiento de rutina, incluyendo, pero sin limitarse a, daños causados por insectos dentro de los tubos del quemador, como se especifica en el manual del propietario.

Deterioro o daños debidos a condiciones meteorológicas severas, como granizo, huracanes, terremotos o tornados, decoloración debido a exposición a productos químicos ya sea directamente o en el ambiente.

Costo de llamadas de servicios.

Costos de envío o transportación.

La recogida y el envío de su producto.

Costos de devolución o reinstalación.

Costo de mano de obra por reinstalación o reparaciones.

Responsabilidad por daños indirectos o consiguientes.

Esta garantía Limitada es la única garantía entregada por Creole Feast® y eemplaza a todas las demás garantías, expresas o implícitas, incluidas las garantías implícitas de comercialización o idoneidad para cualquier fin en particular. Ni Creole Feast® ni el establecimiento minorista que ofrece este producto, tienen autoridad alguna para otorgar garantías o prometer otros recursos que sean adicionales o inconsistentes con los establecidos previamente.


La responsabilidad máxima de Creole Feast®, en todos los casos, no superará el precio de compra del producto que el cliente o comprador original pagó. Algunos estados no permiten la exclusión o limitación de daños accidentales o resultantes. En dicho caso, no se aplicarán las exclusiones o limitaciones anteriores.

No devuelva piezas sin antes obtener la autorización de devolución de nuestro departamento de servicio al cliente.

Si tiene alguna duda sobre el nuevo montaje, la garantía o el anexo, por favor póngase en contacto con nuestro servicio al cliente. Estaremos encantados de ofrecer cualquier pieza de repuesto que necesite durante el período de garantía.

 1-800-618-6798

 service@creolefeast.com

 Lun.-Vie. 8:30 AM-5:00 PM, EST

CONTENU

Pour votre sécurité	26-27
Instructions d'utilisation	28-32
Instructions d'allumage	33
Nettoyage et entretien	34
Guide de dépannage	35
Garantie et service de clientèle	36
Schéma des pièces	37
Liste des pièces	38
Liste du matériel	39
Assemblage	40-42

DANGER

Si vous sentez du gaz:

1. Coupez l'alimentation en gaz de l'appareil.
2. Éteignez toute flamme nue.
3. Si une odeur persiste, éloignez-vous de l'appareil et appelez immédiatement les pompiers.

REMARQUE: Le non-respect de ces instructions peut entraîner un incendie, une explosion ou des brûlures pouvant entraîner des dommages matériels, des blessures corporelles ou la mort.

AVERTISSEMENT

1. L'installation doit être conforme aux codes locaux ou, en l'absence de codes locaux, au *Code national du gaz combustible*, ANSI Z223.1/NFPA 54.
2. Ne pas stocker ou utiliser d'essence ou d'autres liquides ou vapeurs inflammables à proximité de cet appareil ou de tout autre appareil.
3. Une bouteille de GPL non raccordée ne doit pas être entreposée à proximité de cet appareil ou de tout autre appareil.

ATTENTION

**NE JAMAIS FRIRE DE DINDES AVEC CET APPAREIL.
CET APPAREIL EST DESTINÉ À ÊTRE UTILISÉ À L'EXTÉRIEUR UNIQUEMENT.**

En cas de problème, appelez-nous d'abord! NE PAS renvoyer l'appareil au détaillant. Cet appareil a été conçu selon des normes de qualité élevées. Si vous avez des questions qui ne sont pas traitées dans ce manuel de l'utilisateur ou si vous avez besoin de pièces détachées, veuillez appeler notre service de clientèle.

ATTENTION

1. Veuillez conserver ce manuel de l'utilisateur pour référence ultérieure.
2. Cet appareil n'est PAS destiné à un usage commercial.
3. Cet appareil est conçu pour être utilisé avec du gaz propane uniquement (bouteille de gaz propane non incluse).
4. N'UTILISEZ PAS d'essence, de kérosène ou d'alcool pour l'éclairage. Cet appareil n'est pas destiné à être utilisé dans ou sur des véhicules ou des bateaux de plaisance.
5. Les enfants ne doivent jamais utiliser votre appareil.
6. N'essayez PAS de déplacer l'appareil lorsqu'il est allumé ou chaud. NE PAS modifier l'appareil.
7. N'UTILISEZ PAS l'appareil s'il n'est pas complètement assemblé et que toutes les pièces sont solidement fixées.
8. N'UTILISEZ PAS l'appareil ou tout autre produit à gaz à proximité de bâtiments et de matériaux combustibles.
9. N'UTILISEZ PAS en présence de gaz ou de vapeurs. Gardez l'endroit de cuisson dégagé et exempt de matériaux combustibles, d'essence et d'autres vapeurs et liquides inflammables.
10. NE PAS remplir la cuve d'huile en dessous de la ligne de remplissage minimum ou au-dessus de la ligne de remplissage maximum.
11. N'obstruez pas le flux d'air pour la combustion et la ventilation.
12. Nettoyez et inspectez le tuyau avant chaque utilisation. S'il y a des signes d'abrasion, d'usure, de coupure ou de fuite, le tuyau doit être remplacé avant d'utiliser l'appareil. Le tuyau de remplacement doit être conforme aux spécifications du fabricant spécifiées par le fabricant.
13. Assurez-vous que le robinet de vidange, le brûleur et le conduit de cheminée de l'appareil restent propres. Inspectez l'appareil avant chaque utilisation.
14. Gardez les ouvertures de ventilation de l'enceinte de la bouteille exempts de débris.
15. L'appareil ne doit pas être utilisé sur ou sous le balcon ou la terrasse d'un appartement ou d'une copropriété.
16. NE PAS remplir le récipient de cuisson au-delà de 4 gallons.
17. Veuillez vérifier fréquemment le thermomètre (toutes les 3 minutes). Ne laissez jamais l'huile atteindre une température supérieure à 400 °F (204 °C). Si la température dépasse 400 °F (204 °C) ou si l'huile commence à fumer, éteignez immédiatement le brûleur ou l'alimentation en gaz.
18. Cet appareil sera CHAUD pendant et après son utilisation. Les liquides chauffés restent à des températures chaudes et brûlantes longtemps après la cuisson. Ne touchez jamais l'appareil de cuisson avant que les liquides n'aient refroidi à une température de 115 °F (46 °C) ou moins. Utilisez des gants ou des mitaines de cuisine isolés pour vous protéger des surfaces chaudes ou des éclaboussures de liquides de cuisson.
19. Ayez toujours un extincteur approuvé à portée de main lorsque vous utilisez ce produit. Un extincteur à poudre chimique de classe "B" ou à "CO₂" ou, de préférence, un extincteur de classe "K". Il faut veiller tout particulièrement à comprendre les instructions du fabricant et être prêt à utiliser l'extincteur approprié avant d'utiliser cet appareil.
20. En cas d'incendie, tenez-vous à l'écart de l'appareil et appelez immédiatement les pompiers. N'essayez pas d'éteindre un feu d'huile avec de l'eau.



AVERTISSEMENT

1. Les carburants utilisés dans les appareils à gaz et les sous-produits qui appliquent ces carburants peuvent vous exposer à des produits chimiques, y compris le monoxyde de carbone, qui est considéré comme les sources d'anomalie congénitale ou d'autres troubles de la reproduction par l'État de Californie.
2. Ce produit est susceptible de vous exposer à des produits chimiques, notamment le nickel (métallique), reconnu par l'État de Californie comme étant un élément cancérigène.
3. Ce produit est susceptible de vous exposer à des produits chimiques, y compris le plomb et les composés du plomb, qui sont reconnus par l'État de Californie comme étant à l'origine de cancers et d'anomalies congénitales ou d'autres troubles de la reproduction.

Pour plus d'informations, visitez: www.P65Warnings.ca.gov

⚠ AVERTISSEMENT ⚠

1. Cet appareil est destiné à un usage extérieur uniquement et ne doit pas être utilisé à l'intérieur d'un bâtiment, d'un garage ou de tout autre espace fermé.
2. La consommation d'alcool, de médicaments sur ordonnance ou en vente libre peut nuire à la capacité des opérateurs d'assembler correctement ou de faire fonctionner l'appareil en toute sécurité.
3. Placez toujours votre appareil sur une surface dure et plane loin des combustibles.
4. Ne laissez pas un appareil allumé sans surveillance. Tenez TOUJOURS les enfants et les animaux éloignés du gril.
5. Ne placez l'appareil sur aucun type de surface de table.
6. N'utilisez pas l'appareil en cas de vent fort.

⚠ DANGER: RISQUE LIÉ AUX BOUTEILLES DE GPL ⚠

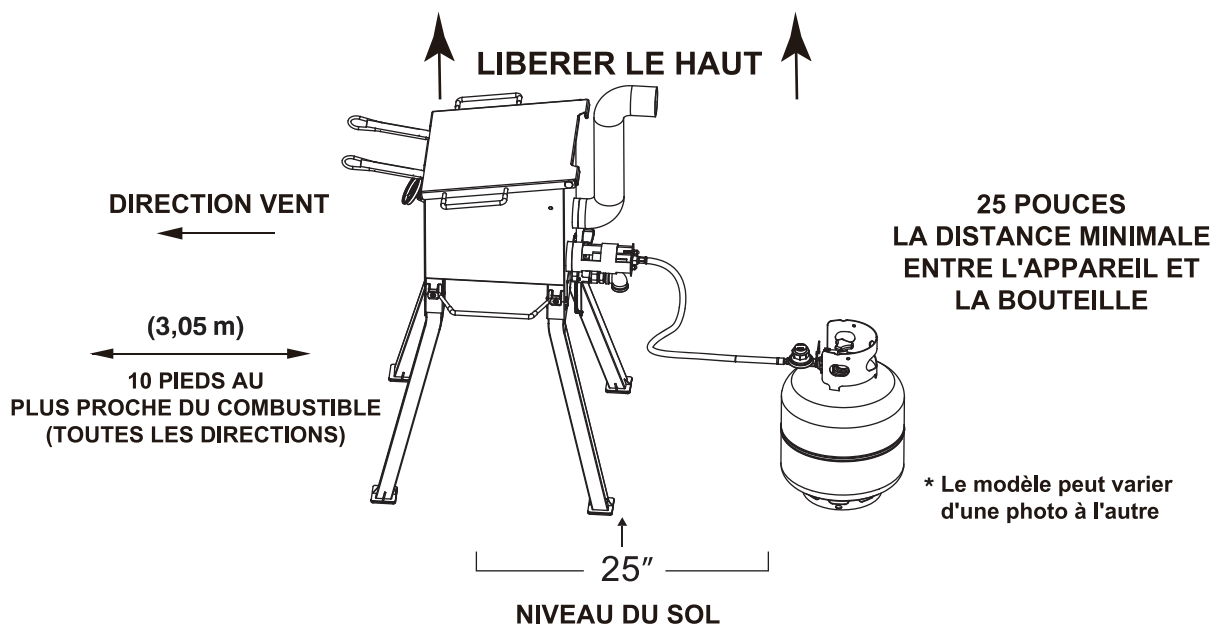
Le gaz propane liquide est inflammable et dangereux s'il est manipulé incorrectement. Comprenez les caractéristiques avant d'utiliser tout produit au propane.

1. Caractéristiques du propane: Inflammable, explosif sous pression, plus lourd que l'air, se dépose dans les piscines et les zones basses.
2. À l'état naturel, le propane n'a pas d'odeur. Pour votre sécurité, un odorant a été ajouté.
3. Le contact avec le propane peut causer des brûlures de gel sur la peau.
4. Cet appareil est expédié de l'usine pour une utilisation avec du gaz propane uniquement.
5. N'utilisez jamais une bouteille de propane avec un corps, une vanne, un collier ou des pieds endommagés.
6. Les bouteilles de propane bosselées ou rouillées peuvent être dangereuses et doivent être vérifiées par votre fournisseur de gaz propane.

⚠ POUR VOTRE SÉCURITÉ ⚠

1. Veillez à ce qu'il y ait une distance minimale de 10 pieds (3,05 mètres) entre les matériaux combustibles et les côtés et l'arrière de l'appareil.
2. Maintenez une distance d'au moins 25 pouces (75 cm) entre l'appareil et le cylindre.
3. Ne placez pas ou n'utilisez pas l'appareil sous des matériaux combustibles non protégés.

ATTENTION: Le tuyau de gaz présente un risque de trébuchement.



INSTRUCTIONS POUR L'USAGE

Suivre correctement ce mode d'emploi afin d'éviter de sérieux dommages corporels ou matériels ainsi que pour préserver l'appareil.

1. Suivre soigneusement les instructions de montage de l'appareil.
2. Connectez la bouteille de propane à l'appareil (bouteille de propane non incluse).
3. Tournez la valve de régulation en position « Arrêt » (éteinte) avant d'ouvrir l'arrivée de gaz.
4. Utiliser le régulateur en fonction des instructions données.
5. Remplissez l'appareil d'huile selon les lignes de remplissage. La quantité maximale d'huile est de 4 gallons ou 15,1 litres.

INFORMATIONS SUR L'HUILE

1. Les huiles les plus couramment utilisées sont l'huile végétale et l'huile d'arachide.
2. L'huile de cuisson ne brûle généralement pas en dessous de son point d'éclair. Le point d'éclair (la température à laquelle l'huile brûle) varie de 550°F (287°C) à 700°F (371°C), en fonction du type d'huile, de l'altitude, du vent et de la température ambiante. Remarque: la température du point d'éclair est également appelée « point de fumée ».
3. L'huile de cuisson reste stable à l'intérieur d'une marmite, d'une poêle ou d'une casserole (récipient) lorsqu'elle est maintenue à une température inférieure à son point d'éclair.
4. Lorsque la température du point d'éclair approche, l'huile de cuisson devient instable et commence à se décomposer. Lorsque l'huile se décompose, des vapeurs sont produites et, mélangées à l'oxygène, ces vapeurs peuvent s'enflammer. À des températures très élevées, les vapeurs d'huile de cuisson peuvent même s'enflammer d'elles-mêmes.
5. L'huile de cuisson peut être réutilisée. La plupart des huiles recommandent d'utiliser l'huile 4 à 5 fois avant de la jeter.
6. Chaque fois que l'huile est réutilisée, elle se détériore et la température de son point d'éclair diminue.

REPLISSAGE DE LA FRITEUSE AVEC DE L'HUILE

1. Assurez-vous que le robinet de vidange est fermé et que le brûleur est éteint.
2. Placez les paniers à l'intérieur de la friteuse vide.
3. Ajoutez de l'huile froide dans la cuve de la friteuse.
4. Surveillez attentivement l'huile lorsqu'elle monte et atteint le fond du panier.
5. La capacité maximale d'huile est de 4 gallons (15,1 litres).

INSTRUCTIONS À SUIVRE PENDANT LA FRITURE

1. Suivez attentivement toutes les instructions d'assemblage et d'essai. Ne négligez aucun avertissement ni aucune étape.
2. Ajoutez 4 gallons d'huile dans la chambre de friture du corps principal.
3. Préparez vos aliments à frire avant d'allumer la friteuse. Assurez-vous que les aliments sont complètement décongelés et secs. La préparation adéquate des aliments à l'avance permet à la friteuse de fonctionner sans être laissée sans surveillance, ce qui réduit le risque de débordement et de déversement de l'huile.
4. Allumez le brûleur comme indiqué dans le manuel. Réglez l'intensité de la flamme à l'aide du robinet de régulation jusqu'au niveau souhaité.
5. Restez toujours à côté de la friteuse. Une fois que la friteuse est allumée et que l'huile chauffe, ne laissez pas la friteuse sans surveillance jusqu'à ce que la cuisson soit terminée et que l'huile ait refroidi à 115°F (46°C).
6. Laissez le couvercle ouvert pendant le chauffage et la friture. La fermeture du couvercle peut entraîner une surchauffe de l'huile, avec un risque d'inflammation et d'incendie.
7. Laissez l'huile atteindre la température de friture optimale, ce qui devrait prendre environ 16 minutes. Lorsque l'huile atteint 375°F (190°C), réduisez la flamme du brûleur à un niveau bas.
8. Vérifiez fréquemment le thermomètre (toutes les 3 minutes). Ne laissez jamais l'huile dépasser 400°F (204°C), puisque c'est la zone de risque d'incendie, comme indiqué sur le thermomètre.

9. Placez les aliments dans le panier et plongez-le dans l'huile chaude. Soyez extrêmement prudent lorsque vous plongez des aliments ou des ustensiles dans l'huile chaude et que vous les en retirez. Plongez lentement les aliments dans l'huile de cuisson en utilisant des gants de protection et faites attention aux éclaboussures et aux débordements.
10. Lorsque la cuisson est terminée, fermez la bouteille de propane et laissez le propane s'échapper du tuyau du régulateur. Tournez ensuite le robinet du régulateur en position OFF.
11. Débranchez le tuyau du régulateur de la bouteille de propane.

AVERTISSEMENT

1. L'huile de cuisson chaude est extrêmement dangereuse et doit être surveillée en permanence, tant pendant son utilisation que pendant la période de refroidissement.
2. Plonger des aliments dans de l'huile de cuisson chaude provoque une ébullition rugissante et déplace l'huile. Le fait de trop remplir la friteuse, de laisser l'huile devenir trop chaude ou de plonger des aliments congelés ou mouillés dans l'huile chaude risque de provoquer un débordement et d'entraîner des dommages matériels, corporels ou mortels.
3. Cet appareil n'est pas équipé d'un thermostat automatique. Il doit être surveillé en permanence pendant le chauffage, la friture et le refroidissement. Utilisez le thermomètre fourni pour vérifier régulièrement la température de friture.
4. L'huile chauffée à plus de 400°F (204°C) s'enflammera et provoquera un incendie, des dégâts matériels, des blessures ou la mort.
5. Éloignez votre tête, vos cheveux et votre visage du conduit d'évacuation lorsque vous allumez le brûleur. Une flamme instantanée peut s'échapper de l'évent et provoquer des blessures.
6. Gardez les enfants et les animaux domestiques à l'écart de l'appareil à tout moment afin d'éviter les accidents.

GESTION DE L'HUILE DE CUISSON

1. Veuillez vérifier régulièrement la température et le niveau d'huile. Il peut être nécessaire de procéder à des ajustements mineurs de la vanne de régulation de temps à autre pour maintenir une température de friture stable. L'intervalle de température optimal se situe entre 360°F (182°C) et 375°F (190°C).
2. Ne jamais plonger d'aliments ni d'accessoires directement dans l'huile chaude. Portez toujours des gants de protection et faites soigneusement descendre les aliments et les accessoires dans l'huile de cuisson pour éviter les éclaboussures ou les débordements. Soyez prudent lorsque vous retirez les aliments de l'huile car celle-ci est extrêmement chaude et risque de provoquer des brûlures.
3. Si le niveau d'huile diminue considérablement en raison d'une cuisson prolongée, suivez les étapes suivantes:
 - Éteignez la friteuse et la bouteille de propane.
 - Laissez l'huile de cuisson refroidir pendant 5 minutes.
 - Versez lentement de l'huile de cuisson neuve - ne dépassez pas 4 gallons (15,1 litres).
 - Rallumez la friteuse une fois que l'huile sera ajoutée.

AVERTISSEMENT

1. Lorsque la friture est terminée, ne touchez pas l'appareil et ne manipulez pas l'huile tant qu'elle n'a pas refroidi à moins de 115 °F (46 °C). Le temps de refroidissement peut varier en fonction de la quantité d'huile utilisée, ainsi que du vent et des températures ambiantes.
2. Dans le cas où il commence à pleuvoir, à neiger, à grêler, à grésiller ou commence à apparaître toute autre forme de précipitation pendant la cuisson avec de l'huile, fermez le couvercle et éteignez immédiatement le brûleur et l'alimentation en gaz. Ne déplacez pas la friteuse pendant ce temps.
3. Stockez ou éliminez correctement l'huile après utilisation.

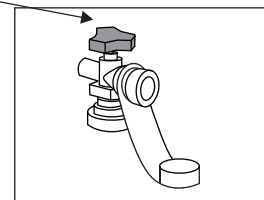
INFORMATIONS SUR LE GPL ET LES BOUTEILLES

Votre nouveau appareil à gaz fonctionne au gaz PL (pétrole liquéfié). Il est inodore, incolore et non toxique une fois produit. Vous pouvez sentir le gaz de pétrole liquéfié car il a reçu une odeur semblable à celle des œufs pourris, pour votre sécurité.

Votre appareil utilise la bouteille (réservoir) de GPL la plus récente et la plus sûre qui comprend deux caractéristiques:

1. Un OPD (dispositif de protection contre le sur-remplissage) - empêche les fuites de gaz accidentelles causées par un remplissage excessif du bouteille. Chaque réservoir contient un flotteur qui ferme la vanne d'entrée lorsque le bouteille est plein à 80%. Cela permet au gaz propane de se dilater aux températures élevées. Un volant triangulaire distingue ce type de bouteille.
2. Une vanne à connexion rapide QCC1 de type 1 qui fournit des branchements rapides du bouteille et ne nécessite qu'un serrage manuel.

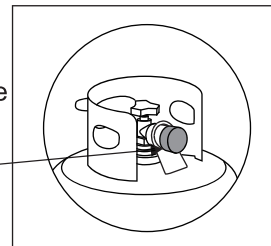
Volant triangulaire



TRANSPORT ET STOCKAGE

1. Le bouteille de gaz doit comprendre un collier pour protéger la vanne d'alimentation en gaz.
2. Ne stockez pas de bouteille de gaz de recharge sous ou à proximité de l'appareil.
3. Ne remplissez jamais le bouteille de gaz au-delà de 80% de sa capacité.
4. Si les avertissements en 2 et 3 ci-dessus ne sont pas exactement respectés, un incendie provoquant la mort ou des blessures graves peut se produire.
5. Transportez toujours en position verticale.
6. Ne fumez pas lors du transport de votre bouteille de gaz.
7. Placez un capuchon anti-poussière sur la sortie de la vanne de gaz du bouteille chaque fois que le bouteille n'est pas utilisé. Utilisez uniquement le type de capuchon anti-poussière fourni lors de l'achat de la vanne du bouteille. D'autres types de capuchons ou de bouchons peuvent entraîner une fuite de propane.

Bouchon anti-poussière



SPÉCIFICATIONS DE BOUTEILLE

1. Le bouteille de gaz acheté ou échangé pour votre appareil doit être fabriqué et marqué conformément aux spécifications pour les bouteilles de GPL du ministère des Transports des États-Unis (DOT) ou à la norme nationale du Canada, CAN/CSA-B339, Bouteilles, Sphères et Tubes pour le Transport des Marchandises Dangereuses, être équipé d'un dispositif anti- sur-remplissage (OPD) répertorié et être équipé d'un dispositif de connexion de bouteille compatible avec une connexion pour appareils de cuisson extérieurs.
2. La capacité de la bonbonne utilisée avec cet appareil ne doit pas dépasser 9,1 kg (20 lb.). Taille approximative: 45,7 cm (18 pouces) de hauteur et 30,5 cm (12 pouces) de diamètre.
3. Cet appareil est conçu pour s'adapter aux bouteilles de 9,1 kg (20 lb.) de marque Worthington, Manchester ou SMPC. D'autres marques peuvent s'adapter à cet appareil si le collier supérieur et l'anneau de support inférieur ont des dimensions similaires.

LA BOUTEILLE DOIT ÉGALEMENT ÊTRE ÉQUIPÉE DE:

1. Une vanne d'arrêt se terminant par une sortie de vanne de bouteille de gaz de type 1
2. Une vanne de type 1 qui empêche l'écoulement du gaz jusqu'à ce qu'un joint positif soit réalisé
3. Un collier pour protéger la vanne d'arrêt de la bouteille
4. Un dispositif de décharge de sécurité directement lié à l'espace de vapeur de la bouteille

TEST D'ÉTANCHÉITÉ DU BOUTEILLE DE GAZ

1. Le test d'étanchéité doit être répété chaque fois que le bouteille de gaz est remplacé ou rempli.
2. Ne fumez pas et n'ayez rien à proximité qui puisse s'allumer facilement, comme des briquets ou des allumettes.
3. N'utilisez pas de flamme nue pour vérifier s'il y a des fuites de gaz.
4. L'appareil doit être vérifié à l'extérieur dans un endroit bien ventilé, loin des flammes nues ou des étincelles.

TEST D'ÉTANCHÉITÉ DU BOUTEILLE DE GAZ:

Utilisez un pinceau propre et une solution 50/50 d'eau et de savon doux. N'utilisez pas de produits de nettoyage ménagers. Cela peut endommager les composants du de gaz.

1. Fermez tous, le régulateur et les robinets de la bouteille.
2. Assurez-vous que le régulateur est correctement connecté au bouteille de gaz.

⚠ AVERTISSEMENT ⚠

Une vanne de bouteille givrée indique un débordement possible de gaz. Fermez la vanne de GPL et appelez immédiatement votre revendeur de GPL.

1. NE PAS connecter cet appareil à une vanne de bouteille # 510 POL existante avec des filetages à gauche.
La vanne de type 1 peut être identifiée par les grands filetages externes sur la sortie de la vanne.
2. NE PAS connecter à une bouteille de propane dépassant cette capacité.
3. NE PAS connecter à une bouteille qui utilise un autre type de dispositif de connexion de vanne.

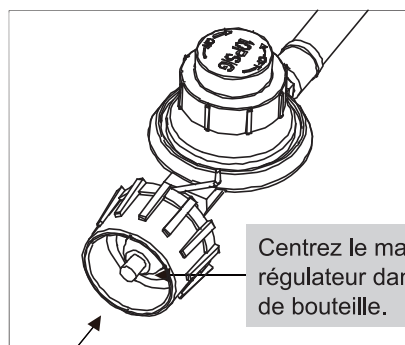
RACCORDEMENT DU RÉGULATEUR AU BOUTEILLE DE GAZ

⚠ ATTENTION ⚠

Utilisez uniquement le régulateur de pression de gaz fourni avec cet appareil de cuisson à l'extérieur. Ce régulateur est réglé pour une pression de sortie de 11 pouces de colonne d'eau.

Votre régulateur est équipé d'un système de connexion rapide QCC de Type 1. Il ne permet pas au gaz de s'écouler tant qu'un joint positif n'a pas été réalisé. Il est doté d'un élément thermique qui coupe le débit de gaz si la température atteint 115 °C (240 °F). Il dispose également d'un dispositif limiteur de débit lequel limite le débit de gaz à 0,28 mètre cube par heure (10 pieds cubes par heure).

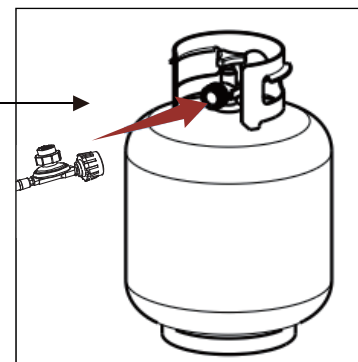
1. Assurez-vous que le bouteille de gaz est éteint en tournant le volant dans le sens horaire jusqu'à ce qu'il s'arrête.
2. Mantenga una distancia de al menos 25 pulgadas (7.5 m) entre el aparato y la bombona.
3. Assurez-vous que la vanne du régulateur est en position OFF.
4. Retirez le capuchon de sécurité de la vanne de bouteille.
5. Centrez le mamelon du régulateur dans la vanne de bouteille.
6. Tournez l'écrou noir dans le sens horaire jusqu'à ce qu'il s'arrête. Serrez à la main uniquement. N'utilisez pas de clé.



Connecteur QCC 1 Type 1

Le régulateur doit entrer dans la vanne de bouteille en ligne droite.

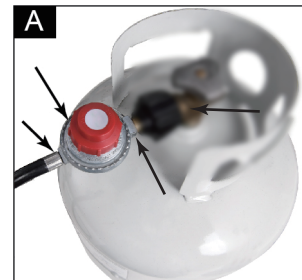
⚠ AVERTISSEMENT
Gardez toujours la bouteille de gaz en position verticale à tout moment.



⚠ AVERTISSEMENT ⚠

1. Ne connectez pas cet appareil à des sources de propane non réglementées.
2. Avant chaque utilisation, vérifiez le tuyau de gaz pour une abrasion excessive, une usure ou des coupures. Remplacez un tuyau endommagé par celui spécifié dans la liste des pièces avant d'utiliser l'appareil.
3. Effectuez toujours l'essai de fuite ci-dessous avant d'utiliser votre appareil pour la première fois, lorsque la bouteille a été changée, lorsque des composants d'alimentation en gaz ont été changés, lorsque le dispositif de limitation de débit du régulateur a été activé, ou après une longue période de non-utilisation.
4. N'essayez pas de connecter cet appareil au système de GPL d'un camping-car ou d'une remorque.

3. Ouvrez complètement la vanne du bouteille de gaz en tournant le bouton dans le sens antihoraire. Si vous entendez un bruit sec, éteignez immédiatement le gaz. La connexion a une fuite considérable. Veuillez corriger cette situation avant de continuer.
4. Brossez la solution savonneuse sur toutes les coutures métalliques et sur toute la zone de la valve, comme indiqué sur les chiffres ci-dessous.
5. Tournez lentement le robinet de la bouteille de GPL dans le sens inverse des aiguilles d'une montre jusqu'à la position ouverte.
6. Ouvrez complètement la vanne du réservoir en tournant le bouton dans le sens antihoraire. Si vous entendez un bruit sec, éteignez immédiatement le gaz. La connexion a une fuite considérable.
7. Veuillez corriger cette situation avant de continuer, communiquez avec votre détaillant. Ne pas faire fonctionner l'appareil s'il y a une fuite.
8. Examinez toujours le tuyau pour voir s'il n'est pas endommagé. Si vous constatez un dommage, n'essayez pas de réparer le tuyau. Remplacer le tuyau est la seule option sécurisée.
9. Pour toute assistance concernant un dysfonctionnement lié au bouteille de gaz, au régulateur ou au tuyau, contactez le service clientèle.
10. Après avoir testé les fuites, fermez toujours le robinet du bouteille de gaz, en tournant le bouton dans le sens des aiguilles d'une montre.



EN AUCUN CAS, LA VANNE NE DOIT RESTER EN POSITION OUVERTE PENDANT PLUS DE 12 SECONDES.

⚠ AVERTISSEMENT ⚠

1. N'UTILISEZ PAS L'APPAREIL s'il y a des fuites. Assurez-vous que la vanne de bouteille de GPL est fermée. Si la bouteille de GPL fuit toujours, contactez votre revendeur de GPL ou appelez le 911.
2. N'utilisez pas d'allumettes, de flammes nues ou de fumée pendant l'essai de fuite.
3. N'allumez aucun brûleur pendant l'essai de fuite.
4. Les pièces de rechange, y compris un ensemble de tuyau de remplacement, doivent être conformes aux spécifications de la liste des pièces.

Le non-respect de ces instructions peut entraîner des blessures graves.

TEST DU THERMOMÈTRE

⚠ AVERTISSEMENT ⚠

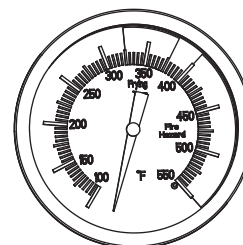
Utilisez toujours un thermomètre lorsque vous faites frire un aliment. Un thermomètre est un appareil de mesure sensible qui peut ne pas fonctionner correctement s'il tombe, se plie ou se tord. Vérifiez toujours que votre thermomètre fonctionne correctement avant de faire frire un aliment. N'utilisez PAS de thermomètre à viande pour la friture.

1. Tout en portant des gants de protection, tenez le thermomètre par le cadran et insérez la tige du thermomètre dans l'eau bouillante.
2. L'aiguille doit se déplacer rapidement sur le cadran et indiquer environ 212 °F (100 °C) (plus ou moins 5 °F). Cela indique si la lecture de la température est précise ou non.

REMARQUE: En raison de l'évaporation de l'eau, la lecture maximale possible sur un thermomètre dans l'eau chaude est de 212 °F (100 °C).

3. Si l'aiguille s'arrête à une température basse, par exemple 225 °F (107 °C), le thermomètre est endommagé et ne peut être utilisé.

REMARQUE: N'essayez PAS de frire si le thermomètre ne fonctionne pas! Si le thermomètre fourni avec cette friteuse ou chaudière a été perdu ou endommagé, un thermomètre de remplacement doit être celui spécifié par le fabricant de l'appareil.



Chaque brûleur de l'appareil est testé et étalonné en usine avant expédition; cependant, des variations de l'approvisionnement local en gaz peuvent rendre nécessaire le réglage des brûleurs. Veuillez vérifier visuellement les flammes des brûleurs. Inspectez toujours visuellement votre appareil avant de l'allumer. Remplacez tout tuyau effiloché ou fissuré. Recherchez tout ce qui pourrait bloquer la ventilation et éliminez un tel blocage ou déplacez l'appareil. Après l'allumage, vérifiez le modèle de flamme pour vous assurer d'avoir une répartition uniforme de la chaleur pour chaque brûleur. Si les brûleurs ne s'allument pas ou si le motif de flamme est irrégulier, consultez la section de Dépannage.

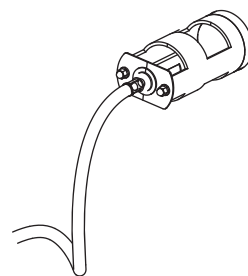
⚠ AVERTISSEMENT: AVANT D'ALLUMER ⚠

1. Lisez les instructions avant d'allumer.
2. Veillez à ce qu'il y ait au moins 25 pieds entre le réservoir de propane et le brûleur. Le tuyau de propane est susceptible de faire trébucher, il convient donc d'être particulièrement vigilant.
3. Assurez-vous que rien ne se trouve directement au-dessus du brûleur. Ne placez jamais votre tête ou vos bras directement au-dessus du brûleur.
4. Inspectez le tuyau d'alimentation en gaz avant de mettre le gaz sur «ON». S'il y a des signes de coupures, d'usure ou d'abrasion, il doit être remplacé avant utilisation. N'utilisez pas l'appareil si une odeur de gaz est présente. Utilisez uniquement le régulateur de pression et le tuyau fournis avec l'appareil.
5. N'utilisez jamais de régulateurs et de tuyaux autres que ceux fournis avec l'appareil. Si un remplacement est nécessaire, contactez le fabricant pour obtenir le remplacement approprié. Le remplacement doit être conforme aux spécifications du Manuel de l'Utilisateur. **NE LAISSEZ PAS L'APPAREIL SANS SURVEILLANCE PENDANT LA CUISSON.**
6. **N'UTILISEZ PAS D'ALCOOL OU D'ESSENCE POUR ALLUMER OU RALLUMER!**

ALLUMAGE DU BRÛLEUR

1. Veuillez vérifier que le robinet de réglage du régulateur et la bouteille de propane sont complètement fermés et en position « OFF ».
2. Si l'allumage ne se produit pas dans les 5 secondes, fermez la valve du régulateur, attendez 5 minutes et répétez la procédure d'allumage.
3. Veuillez utiliser un briquet à longue portée ou une longue allumette pour allumer le brûleur. Placez la flamme directement au-dessus du brûleur. Tournez lentement le robinet de régulation en position « ON » et réglez la flamme si besoin est.
4. Dans le cas où le brûleur ne s'allume pas dans les cinq (5) secondes, ramenez robinet de régulation en position « OFF », fermez le robinet du réservoir de propane et attendez cinq (5) minutes. Une fois les cinq minutes écoulées, recommencez le processus à partir de l'étape 1.

* Si les brûleurs ne s'allument toujours pas, vérifiez l'alimentation en gaz.

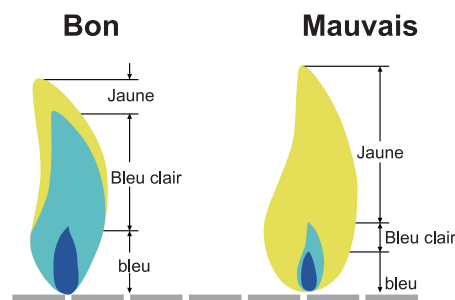


ÉTEINDRE VOTRE APPAREIL

1. Fermez l'alimentation en gaz du bouteille de gaz en tournant la vanne dans le sens horaire.
2. Tournez la vanne du régulateur en position OFF.

FLAMMES DU BRÛLEUR

Allumez le brûleur et réglez la flamme à l'aide de la vanne de contrôle du régulateur jusqu'à ce que la flamme souhaitée soit atteinte. Vérifiez toujours la flamme avant chaque utilisation. Une flamme bleue avec peu ou pas de flamme jaune fournit la meilleure chaleur.



Votre nouveau appareil a été conçu et fabriqué selon des normes de qualité élevées. Il vous procurera de nombreuses années de plaisir à cuisiner, mais il nécessite un minimum d'entretien.

- REMARQUE:**
1. Nettoyez l'ensemble de l'appareil chaque année et resserrez régulièrement tout le matériel (1 à 2 fois par an ou plus selon l'utilisation). Le nettoyage doit être effectué à l'aide de détergents qui ne nuisent pas au patio, à la pelouse ou à l'environnement.
 2. Ne nettoyez aucune pièce de votre appareil dans un four autonettoyant.
 3. N'utilisez pas de nettoyeurs pour fours, de nettoyeurs abrasifs pour la cuisine, de nettoyeurs contenant des agrumes ou d'essence minérale.
 4. Laissez toujours l'appareil refroidir avant de le nettoyer.

AVERTISSEMENT : AVANT LE NETTOYAGE

1. Avant de procéder au nettoyage, éteignez la friteuse au niveau du robinet de réglage, puis au niveau de la bouteille de propane. Assurez-vous qu'il n'y a pas de flamme, qu'il n'y a pas d'odeur de gaz et que les robinets sont en position « OFF ». Assurez-vous que l'appareil est correctement déconnecté de la bouteille de propane.
2. Il convient de laisser l'huile refroidir complètement avant de la vidanger. Pour des raisons de sécurité, portez toujours des gants de protection résistants à la chaleur pendant l'opération. Le robinet nécessite un raccord de tuyau d'arrosage d'une pouce de diamètre (vendu séparément - consultez votre quincaillerie locale) pour être raccordé à un tuyau d'arrosage standard. Placez un tuyau ou un seau sous le robinet. Ouvrez le robinet pour vidanger l'huile de la friteuse. Si vous utilisez un seau, ouvrez le robinet lentement pour éviter les déversements. L'huile restante peut être extraite de la friteuse et être placée dans un récipient.

ÉTAPES À SUIVRE POUR NETTOYER LA FRITEUSE

1. Déplacez la friteuse vide vers un endroit propre.
2. Placez un seau sous le robinet de vidange ouvert. Utilisez un tuyau d'arrosage pour rincer le fond de la friteuse, en orientant le jet d'eau vers le seau.
3. Fermez le robinet de vidange et ajoutez de l'eau dans la friteuse jusqu'à ce qu'elle recouvre les tubes chauffants internes. Ajoutez une petite quantité de liquide vaisselle et nettoyez l'intérieur en utilisant une éponge.
4. Vidangez l'eau savonneuse et rincez abondamment à l'eau claire.
5. Assurez-vous que tous les accessoires sont complètement secs avant d'utiliser ou de ranger la friteuse.

REMARQUE: Appliquez de l'huile végétale de cuisson à l'intérieur pour éviter la rouille.

STOCKAGE

1. Nettoyez votre appareil avant de le ranger. Stockez votre appareil dans un emplacement sec.
2. Le stockage d'un appareil à l'intérieur n'est permis qu'après que le bouteille de gaz est débranché et retirée de l'appareil.
3. Une housse est hautement recommandée pour protéger votre appareil.
4. Effectuez un essai de fuite avant d'utiliser l'appareil après qu'il a été entreposé pendant un certain temps.

AVERTISSEMENT

1. Veuillez inspecter le tube de chauffage pour vérifier qu'il n'est pas obstrué ou qu'il n'y a pas de nid d'insectes. Une obstruction risque de restreindre le flux de gaz, ce qui entraînerait un dysfonctionnement ou une surchauffe de l'appareil, avec le risque de provoquer un incendie en dessous de l'appareil. Pour garantir un fonctionnement en toute sécurité, inspectez et nettoyez régulièrement le brûleur et le tube chauffant, en vous assurant que le flux de gaz n'est pas obstrué.
2. N'introduisez jamais d'outils dans la sortie du robinet ou dans le robinet de sécurité. Le fait d'insérer un outil ou un corps étranger risque d'endommager la soupape et de provoquer une fuite de gaz. Il en résulte un risque d'explosion, d'incendie, de blessure ou de décès.

Dépannage: Problème	Cause possible	Prévention/Solution
La friteuse refuse de chauffer ou met trop de temps à chauffer	<ol style="list-style-type: none"> 1. Problèmes d'alimentation en gaz 2. Le brûleur est bouché 	<ol style="list-style-type: none"> 1. Vérifiez que l'alimentation en gaz est suffisante et qu'elle n'est pas obstruée. 2. Inspectez et nettoyez le brûleur ou le tube chauffant.
La flamme est irrégulière ou faible	<ol style="list-style-type: none"> 1. Le brûleur est obstrué 2. Le robinet de la bouteille de propane est défectueux 3. La pression du gaz est faible ou irrégulière 	<ol style="list-style-type: none"> 1. Nettoyez le brûleur et vérifiez qu'il n'est pas obstrué. 2. Testez la pression du gaz et réglez-la ou appelez un professionnel si besoin est. 3. Remplacez ou réparez le robinet de la bouteille de propane s'il fonctionne mal.
Le brûleur ne s'allume pas	<ol style="list-style-type: none"> 1. Brûleur non engagé avec la vanne de commande 2. Obstruction dans le brûleur 3. Aucun débit de gaz 4. L'écrou d'accouplement et la vanne du bouteille de gaz ne sont pas entièrement connectés. 	<ol style="list-style-type: none"> 1. Assurez-vous que la vanne est positionnée à l'intérieur des tubes du brûleur. 2. Assurez-vous que les tubes du brûleur ne sont pas obstrués par des toiles d'araignées ou d'autres matériaux; voir la section de nettoyage pour le nettoyage et entretien. 3. Assurez-vous que le bouteille de gaz n'est pas vide. Si le bouteille de gaz n'est pas vide, vérifiez «chute soudaine du débit de gaz». 4. Tournez l'écrou d'accouplement d'environ un demi à trois quarts.
La flamme s'est éteinte	<ol style="list-style-type: none"> 1. Niveau de gaz bas dans le bouteille de gaz, ou le bouteille est vide 2. Trop de vent 3. Brûleur bloqué 4. Eau dans le brûleur 	<ol style="list-style-type: none"> 1. Vérifiez le niveau de gaz dans le bouteille de gaz. 2. Vérifiez la direction du vent et placez le four à l'écart des zones venteuses. 3. Nettoyez et vérifiez si le brûleur contient des araignées, des nids d'insectes et des débris. 4. Vérifiez si le brûleur est humide, assurez-vous que le brûleur est sec.

Si votre problème n'est pas résolu à l'aide des informations de dépannage ci-dessus, veuillez contacter votre revendeur local de gaz.

Merci d'avoir acheté Friteuse extérieure au propane de Creole Feast®.

Creole Feast® garantit que ses produits sont exempts de défauts de matériel et de fabrication pendant **un an** à partir de la date d'achat d'origine s'ils sont assemblés de la manière appropriée, utilisés normalement et entretenus de la façon recommandée. La garantie ne couvre pas la finition de peinture, car elle peut brûler au cours d'un usage normal. **La rouille n'est pas considérée comme un défaut de fabrication ou de matériaux.**

Durant la période de garantie déclarée, Creole Feast®, à sa discrétion, remplacera gratuitement tout composant défectueux, le propriétaire étant responsable des frais de transport. Creole Feast® se réserve le droit d'exiger que les pièces défectueuses soient retournées, en port et/ou en fret prépayé par le consommateur pour examen et examen. En cas de problèmes de disponibilité des pièces, Creole Feast® se réserve le droit de remplacer des pièces similaires qui sont également fonctionnels. À l'expiration de la garantie, toute responsabilité et obligation en découlant cessera.

Remarque: Un reçu de vente daté avec le numéro de modèle et le numéro de série sera nécessaire pour le service de garantie.

Cette garantie limitée ne vous remboursera pas le coût des inconvénients, de la nourriture, des blessures corporelles ou des dommages matériels. Toute couverture de garantie est nulle si cet appareil est utilisé à des fins commerciales ou de location. Cette garantie limitée s'applique UNIQUEMENT au fonctionnement du produit et ne couvre pas les rayures, les bosses, la corrosion ou la décoloration causées par la chaleur, les nettoyeurs abrasifs et chimiques, ou par les outils utilisés dans l'assemblage ou l'installation de l'appareil, l'oxydation du surfaces ou décoloration des surfaces en acier inoxydable.

CE QUI N'EST PAS COUVERT PAR LA GARANTIE

Toutes défaillances ou difficultés au niveau du fonctionnement causées par un accident, l'abus, une mauvaise utilisation, une modification, une mauvaise application, le vandalisme, une mauvaise installation, l'entretien/le service incorrect, ou un manquement à fournir l'entretien régulier, y compris sans limitations les dommages causés par les insectes dans les brûleurs, tel qu'indiqué dans le guide de l'utilisateur.

La détérioration ou les dommages causés par les intempéries telles que la grêle, les ouragans, les tremblements de terre ou les tornades, la décoloration suite à l'exposition directe ou indirecte aux produits chimiques.

Coûts d'expédition ou de transport.

Coûts des appels de service.

Coûts d'enlèvement ou de réinstallation.

La collecte et la livraison de votre produit.

Coûts de main d'œuvre pour l'installation et les réparations.

Responsabilité pour les dommages indirects ou consécutifs.

Cette garantie limitée tient lieu de garantie unique offerte par Creole Feast® et remplace toute autre garantie expresse ou implicite, y compris toute garantie implicite d'aptitude à la commercialisation ou d'adaptation à un usage particulier. Ni Creole Feast® ni le détaillant qui vend ce produit ne sont autorisés à fournir des garanties ou à promettre quoi que ce soit qui dépasse ou qui contredit ce qui est énoncé ci-dessus.

La responsabilité maximale de Creole Feast®, dans tous les cas, ne peut dépasser le prix d'achat de l'article payé par le consommateur ou l'acheteur d'origine. Certains États et certaines provinces ne permettent pas l'exclusion ni la limitation de dommages directs ou indirects. Par conséquent, les exclusions ou limitations indiquées ci-dessus peuvent ne pas vous être applicables.

Ne retournez aucune pièces sans avoir préalablement obtenu l'autorisation de retour de notre service clientèle.

N'hésitez pas à contacter notre service de clientèle si vous avez des questions concernant l'assemblage, la garantie ou les accessoires. Nous serons heureux de vous proposer les pièces de rechange dont vous avez besoin pendant la période de garantie.



1-800-618-6798



service@creolefeast.com



Du lundi au vendredi, de 8 h 30 à 17 h 00, HNE