

IC-M412

*Compact, easy to use
and a great value*

Submersible

1m depth for 30 minutes

**Built-in
Class D DSC**

FORCE 5 AUDIO™



Black Version.

- **Built-in Class D DSC**
- **IPX7 submersible protection**
(1m depth for 30 minutes, except cables)
- **Superior receiver sensitivity, superior speaker audio**
- **Large LCD and simple operation**
- **Common GPS/NAV interface**
- **AquaQuake™ draining function**
- **Weather channel receive with alert function**
- **Favorite channel function**
- **Dualwatch and Tri-watch functions**

MA-500TR AIS Transponder compatible

When connected to Icom's MA-500TR Class B AIS transponder, you can make an individual DSC call without having to manually input a MMSI number.



MA-500TR AIS Transponder

FEATURES

Class D Digital selective calling

The built-in Class D DSC provides additional safety at sea. The built-in DSC watch function monitors Ch 70 (DSC channel) activity, even while you are receiving another channel. Distress, individual, group, all ships, position request/reply, polling request/reply and DSC test calls can be sent. DSC messages can be received and automatically stored in the message memory.

IPX7 submersible protection

The IC-M412 can withstand submersion in 1m of water for up to 30 minutes (except cables). The supplied microphone also has submersible protection.

Easy to see large display

The large backlit LCD (23.5(H)×64(W)mm; 1⁵/₁₆×2¹⁷/₃₂ in) shows a full sized channel number. A 10 character scrolling message shows the channel name and can show position, time and DSC messages.

Common GPS/NAV interface

When connected to an external GPS receiver, current position and time are shown on the IC-M412's display. When receiving position information from another vessel, the IC-M412 can transfer it to a navigational device via NMEA 0183 connectivity.

Superior receiver sensitivity, Superior speaker audio

The IC-M412 has 0.22μV (typical at 12dB SINAD) superior sensitivity for class-leading receiver performance. The front facing speaker offers 4.5W (typical) of loud, clear reception.

And more

- AquaQuake™ draining function blows water away from the speaker grill
- Priority and normal scan using simple tag scanning system
- External speaker connection
- Low voltage indicator
- Transmitting power selection with microphone

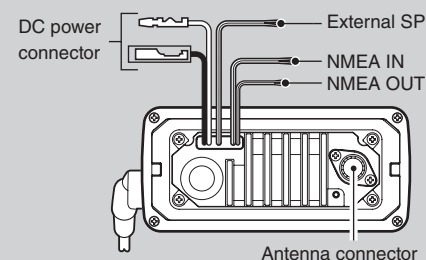
OPTIONS

- **HM-164B/SW** HAND MICROPHONE
Black or super white are available. Same as supplied.
- **MB-69** FLUSH MOUNT KIT

For flush-mounting the IC-M412 to a flat surface such as an instrument control panel.



MB-69

REAR PANEL VIEW

SPECIFICATIONS

GENERAL

- Frequency range : Tx 156.025–157.425MHz
Rx 156.050–163.275MHz
Ch.70 156.525MHz
- Usable channel groups : USA, CAN, INT, WX channels
- Type of emission : 16K0G3E, 16K0G2B
- Power supply : 13.8V DC ±15%
- Current drain : Tx 5.5A (at 25W output) (at 13.8V DC) Rx 1.5A (at AF max.)
- Operating temperature range :
–20°C to +60°C; –4°F to +140°F
- Antenna impedance : 50Ω (SO-239)
- Dimensions (W×H×D, projections not included) :
164×78×139.5mm ; 6¹⁵/₃₂×3¹/₁₆×5¹/₂ in.
- Weight (approx.) : 1060g; 2.3lb
- NMEA formats :
Input RMC, GGA, GNS, GLL
Output DSC, DSE

Measurements made in accordance with TIA/EIA 603. All stated specifications are subject to change without notice or obligation.

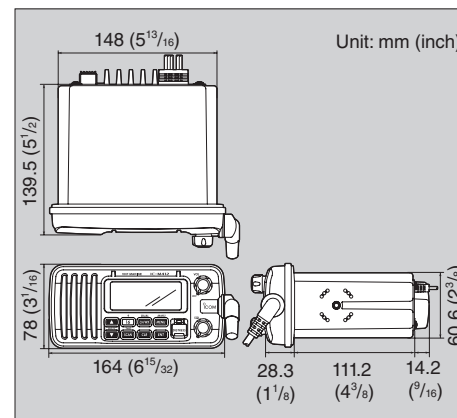
TRANSMITTER

- Output power : 25W/1W (Hi/Low)
- Max. freq. deviation : ±5.0kHz
- Frequency tolerance : ±10ppm
- Spurious emissions: Less than –70dBc (at 25W)
- Adj. channel power : More than 70dB
- Audio harmonic : Less than 10% (at 60% dev.) distortion
- Residual modulation: More than 40dB

RECEIVER

- Sensitivity : 0.22μV typical at 12dB SINAD
- Squelch sensitivity: Less than 0.4μV
- Adj. Ch. selectivity : More than 70dB
- Spurious response: More than 70dB
- Intermodulation : More than 70dB
- Hum and noise : More than 40dB
- Audio output power : 4.5W typical at 10% distortion with a 4Ω load

DIMENSIONS

**Color versions:**

- Black
- Super white

Supplied accessories:

- Hand microphone
- DC power cable
- Mounting bracket kit

Icom, Icom Inc. and the Icom logo are registered trademarks of Icom Incorporated (Japan) in the United States, the United Kingdom, Germany, France, Spain, Russia, Japan and/or other countries. AquaQuake and Force5Audio are trademarks of Icom Incorporated. All other products or brands are registered trademarks or trademarks of their respective holders.

Icom Inc.

1-1-32, Kami-minami, Hirano-ku, Osaka 547-0003, Japan Phone: +81 (06) 6793 5302 Fax: +81 (06) 6793 0013

www.icom.co.jp/world

Count on us!

Icom America Inc.

2380 116th Avenue NE,
Bellevue, WA 98004, U.S.A.
Phone : +1 (425) 454-8155
Fax : +1 (425) 454-1509
E-mail : sales@icomamerica.com
URL : <http://www.icomamerica.com>

Icom Canada

Glenwood Centre #150-6165 Highway 17,
Delta, B.C., V4K 5B8, Canada
Phone : +1 (604) 952-4266
Fax : +1 (604) 952-0090
E-mail : info@icomcanada.com
URL : <http://www.icomcanada.com>

Icom (Australia) Pty. Ltd.

Unit 1 / 103 Garden Road,
Clayton, VIC 3168 Australia
Phone : +61 (03) 9549 7500
Fax : +61 (03) 9549 7505
E-mail : sales@icom.net.au
URL : <http://www.icom.net.au>

Icom New Zealand

146A Harris Road, East Tamaki,
Auckland, New Zealand
Phone : +64 (09) 274 4062
Fax : +64 (09) 274 4708
E-mail : inquiries@icom.co.nz
URL : <http://www.icom.co.nz>

Icom (Europe) GmbH

Communication Equipment
Auf der Krautweide 24
65812 Bad Soden am Taunus, Germany
Phone : +49 (6196) 76685-0
Fax : +49 (6196) 76685-50
E-mail : info@icomeurope.com
URL : <http://www.icomeurope.com>

Icom Spain S.L.

Ctra. Rubi, No. 88 "Edificio Can Castanyer"
Bajos A 08174, Sant Cugat del Valles,
Barcelona, Spain
Phone : +34 (93) 590 26 70
Fax : +34 (93) 589 04 46
E-mail : icom@icomspain.com
URL : <http://www.icomspain.com>

Icom (UK) Ltd.

Blacksole House, Altira Park,
Herne Bay, Kent, CT6 6GZ, U.K.
Phone : +44 (01227) 741741
Fax : +44 (01227) 741742
E-mail : info@icomuk.co.uk
URL : <http://www.icomuk.co.uk>

Icom France s.a.s.

Zac de la Plaine,
1 Rue Brindejonc des Moulinais, BP 45804,
31505 Toulouse Cedex 5, France
Phone : +33 (5) 61 36 03 03
Fax : +33 (5) 61 36 03 00
E-mail : icom@icom-france.com
URL : <http://www.icom-france.com>

Icom Polska

81-850 Sopot, ul. 3 Maja 54, Poland
Phone : +48 (58) 550 7135
Fax : +48 (58) 551 0484
E-mail : icompolaska@icompolaska.com.pl
URL : <http://www.icompolaska.com.pl>

Asia Icom Inc.

6F No. 68, Sec. 1 Cheng-Teh Road,
Taipei, Taiwan, R.O.C.
Phone : +886 (02) 2559 1899
Fax : +886 (02) 2559 1874
E-mail : sales@asia-icom.com
URL : <http://www.asia-icom.com>

Your local distributor/dealer: